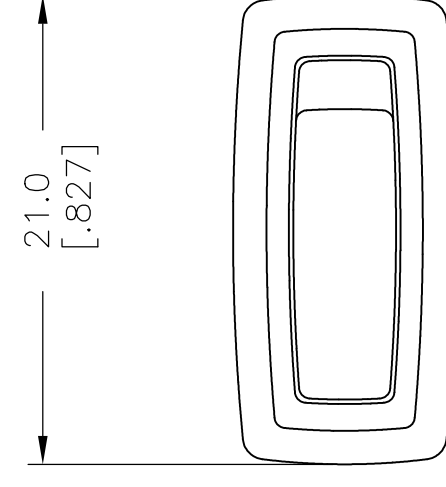
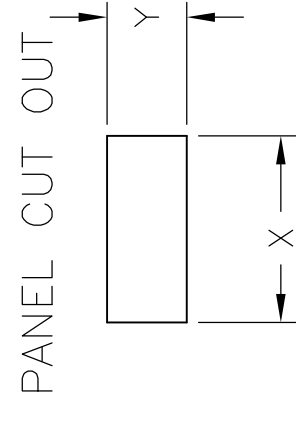


THIS DRAWING IS UNPUBLISHED.
© COPYRIGHT - By - RELEASED FOR PUBLICATION
ALL RIGHTS RESERVED.

REVISIONS

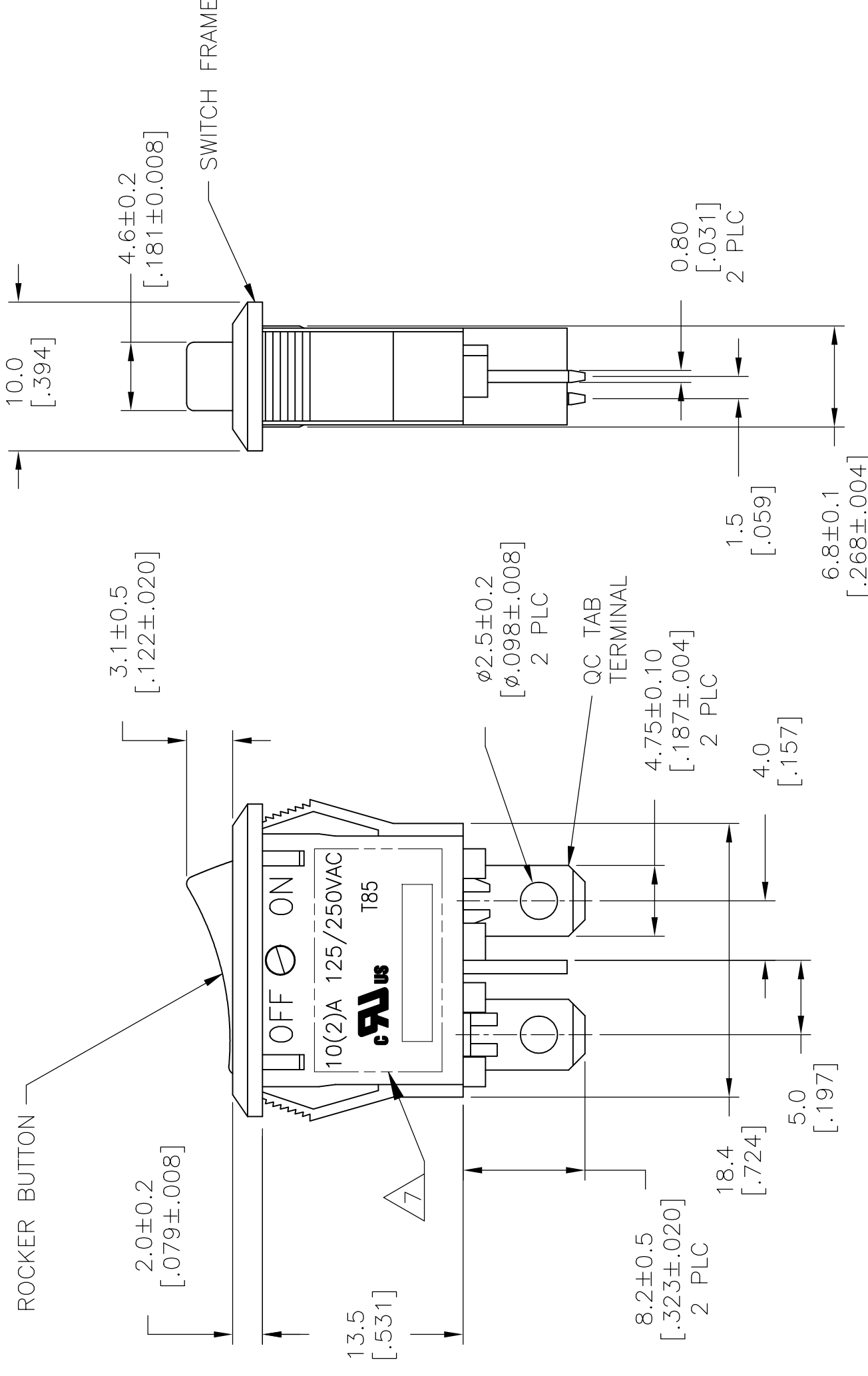
| P | LTR | DATE | DWN | APVD |
|---------------------------|-----|-----------|-----|------|
| F | | 14DEC2018 | DHC | PO |
| REVISED PER ECO-18-017612 | | | | |

D



| | | | | | | | |
|-----------------|--------------|------|------|---------------|-----|------|---------------|
| 2.00-3.00 | [.079-1.18] | 19.8 | -0.1 | [.780 -0.004] | 7.0 | +0.1 | [.276 +0.004] |
| 1.25-2.00 | [.049-0.079] | 19.4 | -0.1 | [.764 -0.004] | 7.0 | +0.1 | [.276 +0.004] |
| 0.75-1.25 | [.030-0.049] | 19.2 | -0.1 | [.756 -0.004] | 7.0 | +0.1 | [.276 +0.004] |
| PANEL THICKNESS | | X | | Y | | | |

C



B

1571500

A

| | | | |
|--|----------|----------------|----------|
| THIS DRAWING IS A CONTROLLED DOCUMENT. | | 18JUN2003 | |
| DWN | M.BINNER | CHK | J.MOSIER |
| APVD | | APVD | |
| PRODUCT SPEC | | NOT APPLICABLE | |
| APPLICATION SPEC | | NOT APPLICABLE | |
| WEIGHT | | RESTRICTED TO | |
| FINISH | | DRAWING NO | |
| MATERIAL | | SIZE | |
| DIMENSIONS: MM | | CAGE CODE | |
| TOLERANCES UNLESS OTHERWISE SPECIFIED: | | DRAWING NO | |
| 0 PLC | ± | A2 | |
| 1 PLC | ± | 00779 | |
| 2 PLC | ± | 1571500 | |
| 3 PLC | ± | SCALE | |
| 4 PLC | ± | 3:1 | |
| ANGLES | | SHEET | |
| FINISH | | 1 of 2 | |
| MATERIAL | | REV | |
| FINISH | | F | |

| | | | |
|--|----------|--|-----------------|
| DWN | | 18JUN2003 | |
| CHK | M.BINNER | NAME | TE Connectivity |
| APVD | | APVD | |
| PRODUCT SPEC | | POWER ROCKER SWITCH, 7.0mmX19.2mm | |
| APPLICATION SPEC | | PANEL SIZE, SPST, 2 TERMINALS, NON-ILLUMINATED | |
| WEIGHT | | RESTRICTED TO | |
| FINISH | | DRAWING NO | |
| MATERIAL | | SIZE | |
| DIMENSIONS: MM | | CAGE CODE | |
| TOLERANCES UNLESS OTHERWISE SPECIFIED: | | DRAWING NO | |
| 0 PLC | ± | A2 | |
| 1 PLC | ± | 00779 | |
| 2 PLC | ± | 1571500 | |
| 3 PLC | ± | SCALE | |
| 4 PLC | ± | 3:1 | |
| ANGLES | | SHEET | |
| FINISH | | 1 of 2 | |
| MATERIAL | | REV | |
| FINISH | | F | |

THIS DRAWING IS UNPUBLISHED.
© COPYRIGHT - By - RELEASED FOR PUBLICATION
ALL RIGHTS RESERVED.

REVISIONS
P LTR APVD
DATE DWN APVD
-- SEE SHEET 1 --

LEGACY PART NUMBER

X₁X₂ X₃ X₄ X₅X₆ — X₇X₈ X₉ — X₁₀X₁₁X₁₂X₁₃X₁₄

SWITCH TYPE: X₁X₂ = PR - POWER ROCKER

NOMINAL PANEL CUT OUT SIZE: X₃ = H - 7.0x19.2 [.276x.756]

NUMBER OF POLES: X₄ = S - SINGLE

SWITCH FUNCTION: X₅X₆ = A1 - ON-OFF, WITH OPAQUE, SINGLE-COLOR ROCKER BUTTON
A3 - (ON)-OFF, WITH OPAQUE, SINGLE-COLOR ROCKER BUTTON

CURRENT RATING: X₇X₈ = 08 - 6

TERMINAL TYPE: X₉ = E - QC TAB

FRAME COLOR: X₁₀ = B - BLACK
W - WHITE

ROCKER COLOR: X₁₁ = B - BLACK
G - GREEN
R - RED
W - WHITE

1 MATERIALS:

ROCKER BUTTON, HOUSING FRAME & RETURN SPRING SUPPORT(MOMENTARY ACTION TYPE) : NYLON 66, UL94 V-2.
TERMINALS: COPPER ALLOY PER ASTM B152/B152M.
ACTIVE CONTACTOR: COPPER ALLOY PER ASTM B194.
CONTACT: SILVER-TIN OXIDE.
SPRING: STEEL WIRE PER ASTM A228/A228M

2 FINISH:

TERMINALS, ACTIVE CONTACTOR: 1.0µm [.000039] MIN SILVER

3 ELECTRICAL SPECIFICATIONS:

CURRENT AND VOLTAGE: 6
CONTACT RESISTANCE (INITIAL): <50mΩ
DIELECTRIC STRENGTH (INITIAL): >1000 VAC, 1 MINUTE
INSULATION RESISTANCE (INITIAL): >100MΩ MIN (500VDC BETWEEN OPEN CONTACTS)
INRUSH CURRENT: 50A / 3msec (CAPACITIVE LOAD)
ELECTRICAL LIFE ENDURANCE: >6000 OPERATIONS,
TEMPERATURE RISE AT TERMINALS: <30°C, 6000 OPERATIONS (AMBIENT CONDITIONS: 25±2°C AND 65±5%R.H)

4 MECHANICAL SPECIFICATIONS:

ACTUATING FORCE: 100g MIN, 650g MAX
OPERATING LIFE ENDURANCE: >100,000 OPERATIONS
TERMINAL STRENGTH >10.0kg- QC TAB

5 ENVIRONMENTAL SPECIFICATIONS:

AMBIENT TEMPERATURE: -25°C TO +85°C
HUMIDITY: MAX 85%

SALT SPRAY: NO REMAKABLE RUST IN METAL PARTS. (5% SALT / 35°C 24HRS)
SHOCK: NO MECHANICAL DEFECT OR DAMAGE. (100g / 10MSEC/ X,Y,Z 3 TIMES)
VIBRATION: NO MECHANICAL DEFECT OR DAMAGE. (10-55Hz / 1.5mm/ X,Y,Z 2HRS)

UL: 10(2)A 125/250VAC
ENEC: T85

ELECTRICAL RATINGS, AGENCY APPROVAL LOGOS, OFF/OH DESIGNATIONS AND THE TE LOGO PER TEC-202-36 LOCATED APPROXIMATELY AS SHOWN ON THE SIDE OF THE SWITCH HOUSING.

8 COMPONENT RECOGNIZED TO US AND CANADIAN STANDARDS, UL FILE NO. E46765.

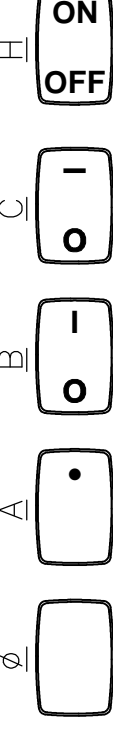
9 COMPONENT RECOGNIZED TO EUROPEAN STANDARDS (ENEC & FI). CERTIFICATE No. ENEC2003036.

10 OBSOLETE

SECONDARY ROCKER COLOR: X₁₂ = ∅ - NOT APPLICABLE

B - BLACK
G - GREEN
R - RED
W - WHITE

LEGEND TEXT PATTERN: X₁₃ = ∅



LEGEND TEXT COLOR: X₁₄ = ∅ - NOT APPLICABLE

R - RED
B - BLACK
W - WHITE



| | |
|------------------|--------------------|
| PRHSA1-08F-BB0BW | 1571500-5 |
| PRHSA1-08F-BB0HW | 1571500-4 |
| PRHSA1-08F-BB0CW | 1571500-3 |
| PRHSA3-08F-BB000 | 1571500-2 |
| PRHSA1-08F-BB000 | 1571500-1 |
| OBSOLETE | LEGACY PART NUMBER |
| <u>10</u> | TE Connectivity |

| | | |
|--|------------------|--|
| THIS DRAWING IS A CONTROLLED DOCUMENT. | | DWN M.BINNER 18JUN2003 |
| DIMENSIONS: MM | | CHK J.MOSIER |
| TOLEANCES UNLESS OTHERWISE SPECIFIED: | | APVD |
| 0 PLC ± 0.30[.012] | PRODUCT SPEC | NOT APPLICABLE |
| 1 PLC ± 0.05[.002] | APPLICATION SPEC | NOT APPLICABLE |
| 2 PLC ± | NOT APPLICABLE | NOT APPLICABLE |
| 3 PLC ± | NOT APPLICABLE | NOT APPLICABLE |
| 4 PLC ± | NOT APPLICABLE | NOT APPLICABLE |
| ANGLES | | WEIGHT |
| FINISH | | CUSTOMER DRAWING |
| 1 | 2 | SCALE 3:1 |
| MATERIAL | | SHEET 2 of 2 |
| CUSTOMER DRAWING | | REV F |
| SCALE 3:1 | | RESTRICTED TO |
| SIZE A2 | | 00779 |
| CAGE CODE 1571500 | | TE PART NUMBER |
| DRAWING NO | | POWER ROCKER SWITCH, 7.0mmX19.2mm |
| DRAWING NO | | PANEL SIZE, SPST, 2 TERMINALS, NON-ILLUMINATED |
| DRAWING NO | | NAME |
| DRAWING NO | | TE Connectivity |