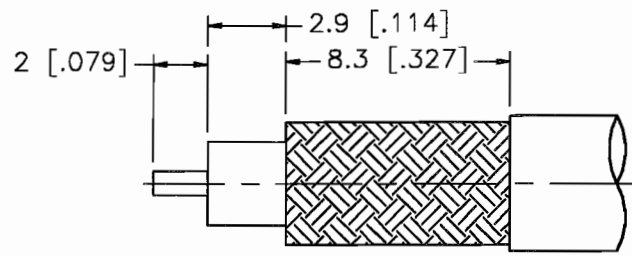
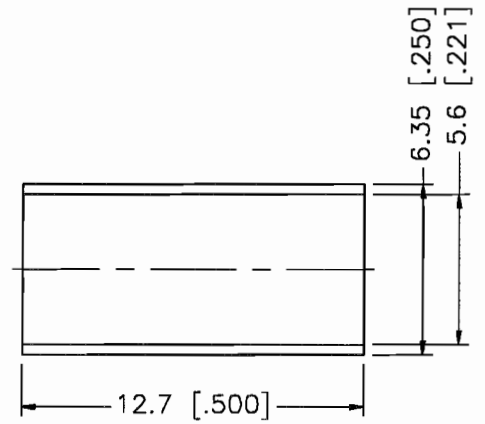
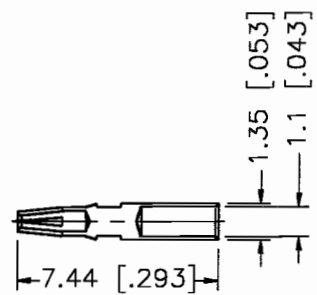
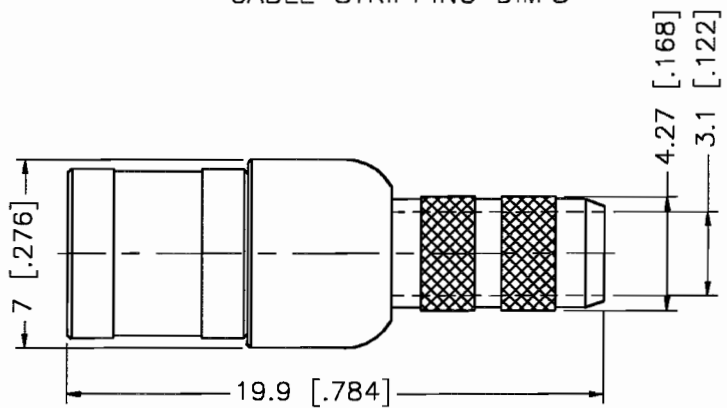



REV.	DATE	DESCRIPTION
NC	03/13/00	INITIAL RELEASE



RECOMMENDED
CABLE STRIPPING DIM'S



CRIMP NOTE:
1. CRIMPED FERRULE
HEX CRIMP SIZE .213"

DESCRIPTION	MATERIAL	FINISH	UNLESS OTHERWISE SPECIFIED DIMENSIONS ARE IN MILLIMETERS	APPROVALS	DATE					
1	BODY	BRASS	NICKEL	DRAWN	G.R.S.					03/13/00
2	INSULATOR	TEFLON	NATURAL	CHECKED						
3	CONTACT PIN	BER. COPPER	GOLD	ISSUED						
4	FERRULE	COPPER	NICKEL							
5										
6										
7										
8										

DIMENSIONS IN [] ARE IN INCHES FOR CUSTOMER REFERENCE ONLY

UNLESS OTHERWISE SPECIFIED TOLERANCES FOR MILLIMETERS ARE:
 0.5-6 = ± 0.2
 6-30 = ± 0.4
 30-120 = ± 0.6
 120-315 = ± 1
 315-1000 = ± 1.6
 1000-2000 = ± 2.4

DO NOT SCALE DRAWING