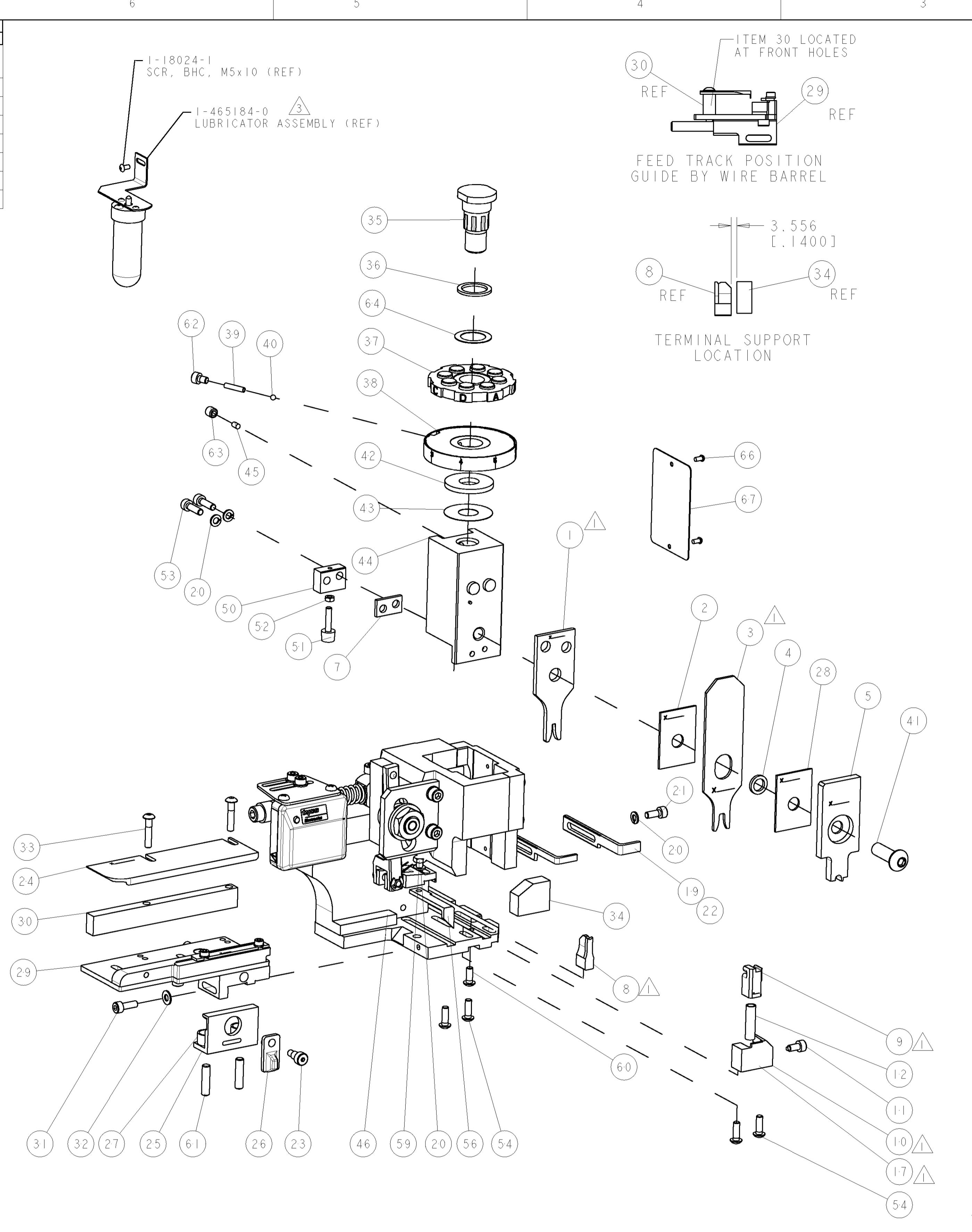
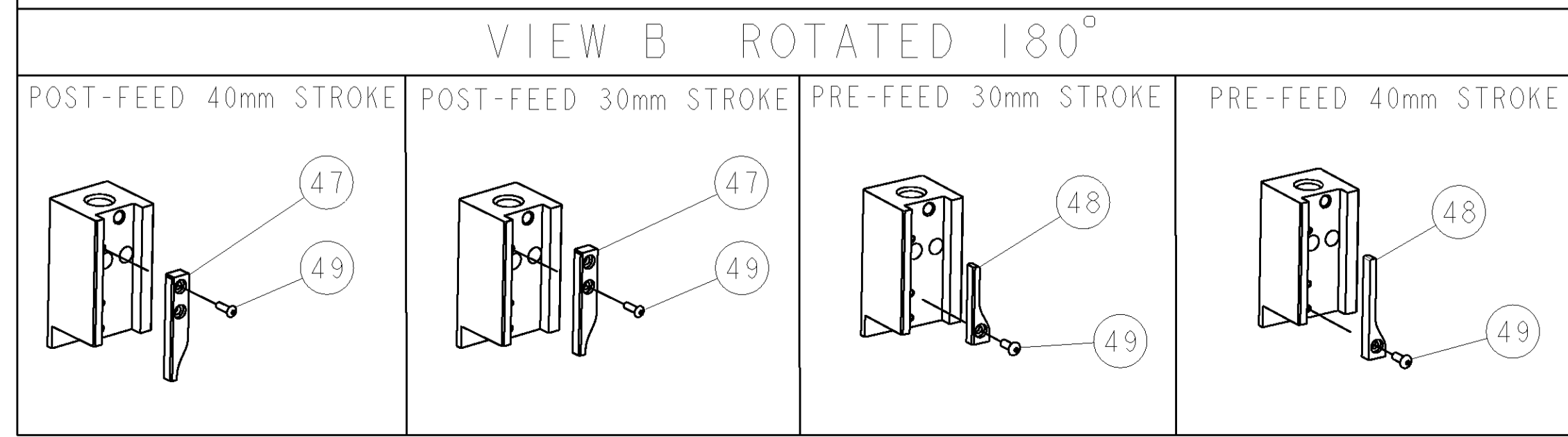


PART NUMBER	REV	TERMINATOR	FEED TYPE	DESCRIPTION
1426601-1	B	LEADMAKER	MECH POST FEED	CUTS CARRIER
1426601-2	B	BENCH	MECH PRE FEED	CUTS CARRIER
1426601-6	B	LEADMAKER	MECH POST FEED	CONTINUOUS CARRIER
7-1426601-1	B	LEADMAKER	MECH POST FEED	-1 AND SPARE PARTS
7-1426601-2	B	BENCH	MECH PRE FEED	-2 AND SPARE PARTS
7-1426601-6	B	LEADMAKER	MECH POST FEED	-6 AND SPARE PARTS
7-1426601-7	B	-	-	SPARE PARTS KIT

WIRE	SIZE	TYPE	RANGE
WIRE	2.29 [.090 IN]	F	0.75-2.00mm ²
INSUL	4.06 [1.60 IN]	SP. F	1.85-2.70 [.073-.106 IN]
WIRE STRIP LENGTH	4.00-4.50 [.157-.177 IN]		APPL INSTRUCTIONS 408-8322
TERMINAL APPL SPEC	114-3040		FEED 9.80 [.386 IN]

WIRE SIZE	CRIMP HEIGHT	PINPN & LENGTH [IN]
2.00 mm ²	1.75 ± 0.05 [.069 ± .002 IN]	9-354778-4 [.2965]
1.50 mm ²	1.57 ± 0.05 [.062 ± .002 IN]	354779-9 [.3035]
1.00 mm ²	1.37 ± 0.05 [.054 ± .002 IN]	2-354779-6 [.3120]
0.75 mm ²	1.30 ± 0.05 [.051 ± .002 IN]	3-354779-2 [.3150]

- RECOMMENDED SPARE PARTS.
- GREASE RAM, CAM, CAM FOLLOWER AND FEED ROD LIGHTLY.
- CERTAIN TERMINALS REQUIRE LUBRICATION. REFER TO THE APPLICATOR INSTRUCTION SHEET FOR MORE INFORMATION.
- LUBRICATE DAILY PER THE APPLICATOR INSTRUCTION SHEET SUPPLIED WITH THE APPLICATOR.



LOC	DIST	REV	DESCRIPTION	DATE	BY	APPD
A	66		SEE ECO-06-009024	18APR2006	DP	MC
B			ECR-06-014335	16JUN2006	LG	TE

QTY	UNIT	DESCRIPTION	ITEM NO						
-	-	-	73						
-	-	-	72						
-	-	-	71						
-	-	-	70						
-	-	-	69						
-	-	-	68						
-	-	-	67						
-	-	-	66						
-	-	-	65						
-	-	-	64						
-	-	-	63						
-	-	-	62						
-	-	-	61						
-	-	-	60						
-	-	-	59						
-	-	-	58						
-	-	-	57						
-	-	-	56						
-	-	-	55						
-	-	-	54						
-	-	-	53						
-	-	-	52						
-	-	-	51						
-	-	-	50						
-	-	-	49						
-	-	-	48						
-	-	-	47						
-	-	-	46						
-	-	-	45						
-	-	-	44						
-	-	-	43						
-	-	-	42						
-	-	-	41						
-	-	-	40						
-	-	-	39						
-	-	-	38						
-	-	-	37						
-	-	-	36						
-	-	-	35						
-	-	-	34						
-	-	-	33						
-	-	-	32						
-	-	-	31						
-	-	-	30						
-	-	-	29						
-	-	-	28						
-	-	-	27						
-	-	-	26						
-	-	-	25						
-	-	-	24						
-	-	-	23						
-	-	-	22						
-	-	-	21						
-	-	-	20						
-	-	-	19						
-	-	-	18						
-	-	-	17						
-	-	-	16						
-	-	-	15						
-	-	-	14						
-	-	-	13						
-	-	-	12						
-	-	-	11						
-	-	-	10						
-	-	-	9						
-	-	-	8						
-	-	-	7						
-	-	-	6						
-	-	-	5						
-	-	-	4						
-	-	-	3						
-	-	-	2						
-	-	-	1						
-77	-76	-72	-71	-6	-2	-1	PART NO	DESCRIPTION	ITEM NO
-	-	-	-	-	-	-	-	-	84
-	-	-	-	-	-	-	-	-	83
-	-	-	-	-	-	-	-	-	82
-	-	-	-	-	-	-	-	-	81
-	-	-	-	-	-	-	-	-	80
-	-	-	-	-	-	-	-	-	79
-	-	-	-	-	-	-	-	-	78
-	-	-	-	-	-	-	-	-	77
-	-	-	-	-	-	-	-	-	76
-	-	-	-	-	-	-	-	-	75
-	-	-	-	-	-	-	-	-	74

DIMENSIONS: mm [IN]	TOLERANCES UNLESS OTHERWISE SPECIFIED: 0 PLC ± 1 PLC ± 2 PLC ± 3 PLC ± 4 PLC ± ANGLES ±	DWG: JL LOFTHOUSE DATE: 18-Apr-06 APPD: M CLIFFORD PRODUCT SPEC: APPLICATION SPEC: See Table WEIGHT: CUSTOMER DRAWING	tyco Electronics Tyco Electronics Harrisburg, PA 17105-3608	NAME: SIDE FEED HDI APPLICATOR SIZE: CAGE CODE [DRAWING NO]: 00779 C-1426601 SCALE: 3:5 SHEET: 1 OF 1 REV: B
------------------------	---	--	---	--