

MR60FDA1

60GHz mmWave Sensor
– Fall Detection Module Pro User Manual



Table of Contents

1. Overview	3
2. Electrical characteristics and parameters.....	4
2.1 Detection angle and distance.....	4
2.2. Electrical characteristics.....	4
2. 3. RF performance.....	4
3. Module dimensions and pin description.....	5
3.1 Module size package.....	5
3. 2. Pin description.....	5
3.2 Using the wiring diagram.....	6
4. Main working properties.....	6
4.1 Radar module operating range.....	6
4.2. Main functions and performance.....	7
5. How the radar works and how it is installed	8
5.1. Vertical mounting mode.....	8
5.2. Tilt mounting mode.....	8
5.3. Horizontal mounting mode.....	9
6. Typical applications.....	9

1. Overview

The MR60FDA1 radar module is a radar module that uses 60G millimeter wave radar technology for human movement and posture sensing, and thus for fall detection. The module is based on the FMCW radar system and enables the wireless sensing of the status of people in a specific location.

This radar module has the following operating characteristics.

- Implementing the function of detecting the position of people and counting their number.
- Limits detection to persons with biological characteristics (moving or stationary) and eliminates interference from other inanimate objects in the environment.
- This module effectively eliminates interference from non-living objects and also enables detection of non-living moving objects.
- Product support for secondary development, adapting to a wide range of scenario applications.
- Universal UART communication interface, providing a common protocol
- 4 groups of I/O are reserved for user-defined input and output, or simple interface simulation
- The output power is low, no harm to human body.
- This module is not affected by temperature, light, dust and other factors, high sensitivity, wide range of applications.

2. Electrical characteristics and parameters

2.1 Detection angle and distance

Content	Minimum	Typical	Maximum	Units
MR60FDA1				
Radius of movement of people detection [1]	–	6		metre
Fall monitoring radius [2]	–	2.5		metre
Radar detection angle (horizontal)	–	100	–	degree
Radar detection angle (pitch)	–	100	–	degree

Note: [1][2] Radar hang height 2.8 m, radius of radar projection.

2.2. Electrical characteristics

Content	Minimum	Typical	Maximum	Units
Operating voltage (VCC)	4.5	5.0	6	V
Operating current (ICC)	90	93	100	mA
Operating temperature (TOP)	–20	–	+60	°C
Storage temperature (TST)	–40	–	+80	°C

2.3. RF performance

Parameters				
Operating frequency (fTX)	58	–	63.5	GHz
Transmitted power (Pout)	–	–	6	dBm

3. Module dimensions and pin description

3.1 Module size package

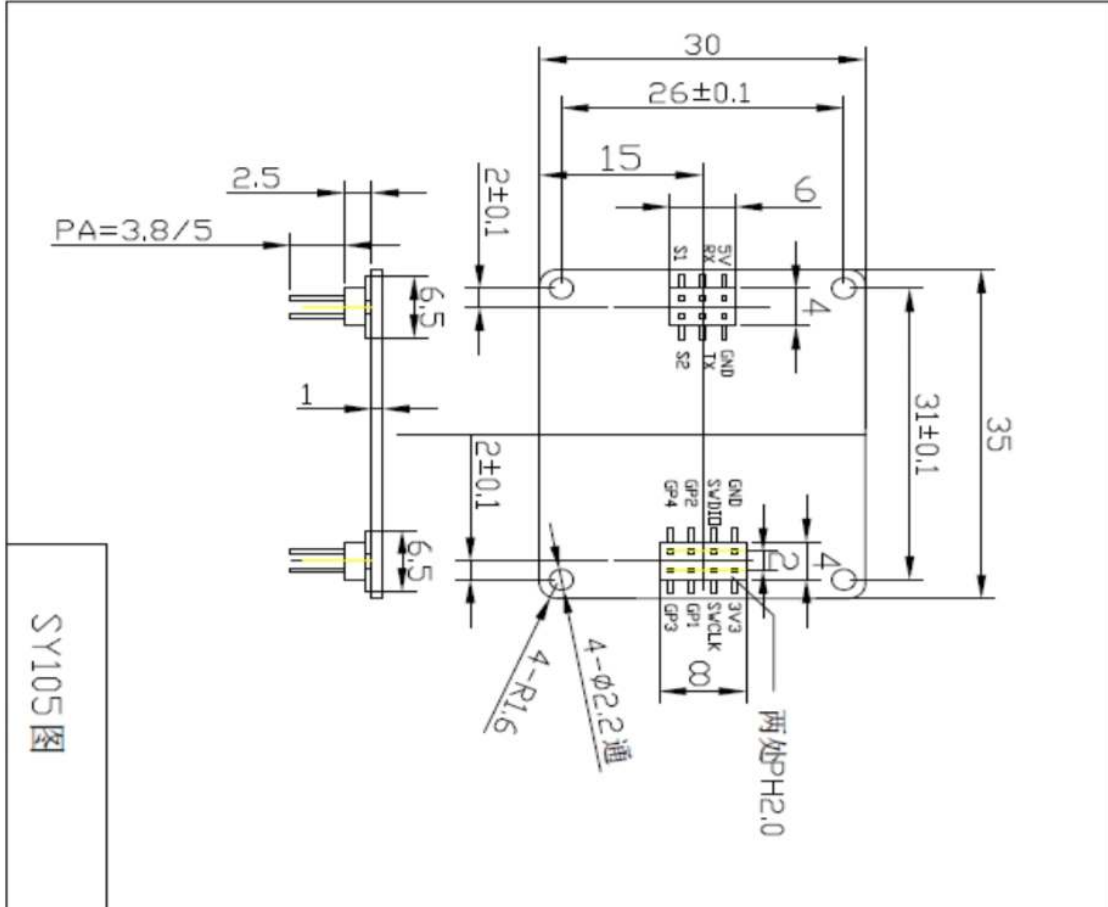


Fig.1 Schematic diagram of the radar module structure

3.2. Pin description

Interface	Pins	Description	Typical	Description
Interface 1	1	5V	5.0V	Power supply input positive
	2	GND		Ground
	3	RX		Serial port reception
	4	TX		Serial port transfer
	5	S1	3.3V/0V	
	6	S2	3.3V/0V	

Interface 2	1	3V3	3.3V	Output power
	2	GND		Ground
	3	SL		Reserved
	4	SD		Reserved
	5	GP1		Spare expansion pins
	6	GP2		Spare expansion pins
	7	GP3		Spare expansion pins
	8	GP4		Spare expansion pins

3.2 Using the wiring diagram

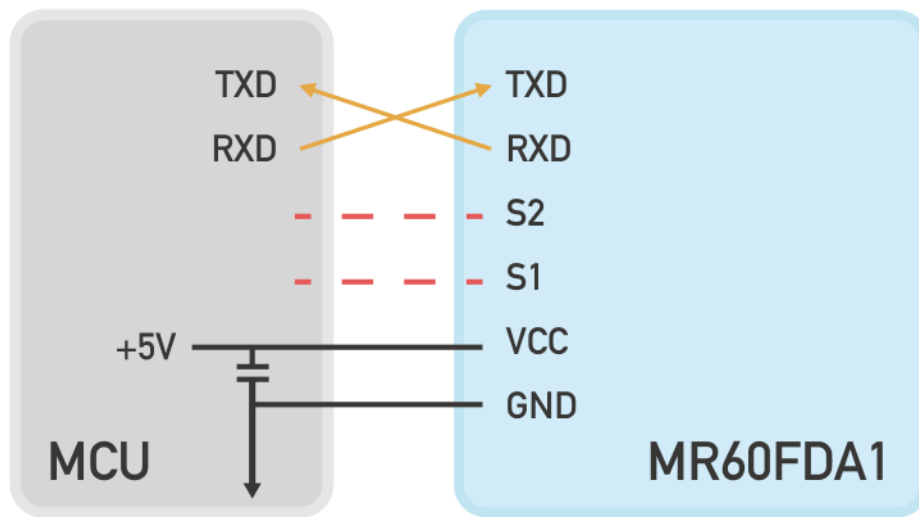
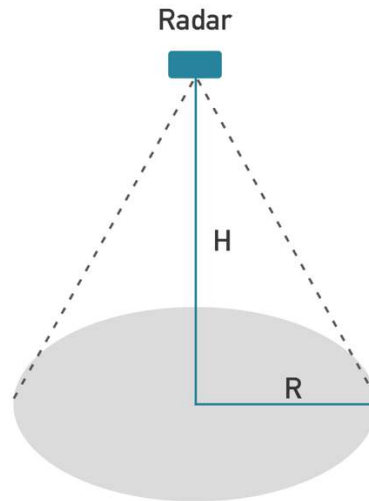


Fig.2 Schematic diagram of the radar module and peripheral connections

4. Main working properties

4.1 Radar module operating range

The radar module beam coverage is shown. The radar coverage is a three-dimensional sector of 100° horizontally and 100° tilted.



Due to the characteristics of the radar beam, the radar acts farther in the direction normal to the antenna face, but the distance away from the antenna normal becomes shorter.

When the radar is mounted on top or at an angle, the radar range will be reduced due to the radar beam range and the effective radiation space, which needs to be taken into account when using the radar.

4.2. main functions and performance

- a. Fall detection function
 - a) Detection distance.
 - i. ≤ 2 m // radius of radar projection when installed on top
 - ii. ≤ 4 m // tilt installation, radar projection distance
 - b) Accuracy rate: $\geq 90\%$
- b. Presence awareness function
 - a) Detection distance: ≤ 3 m //Projection radius
 - b) Accuracy rate: $\geq 90\%$

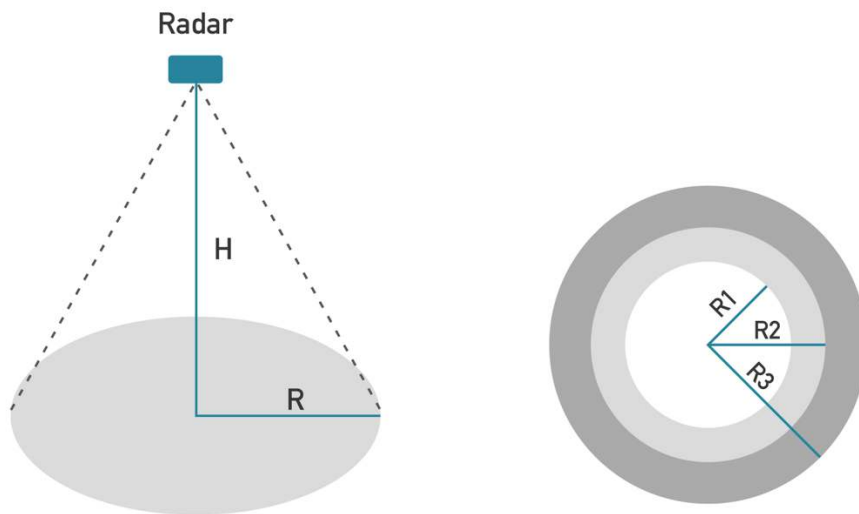
- c. Motion detection functions
 - a) Motion triggering
 - b) Motion direction and position sensing

5. How the radar works and how it is installed

5.1. vertical mounting mode

The radar is mounted on the roof and is directed vertically downwards.

The radar is installed at a height of $H = 2.4 \text{ m}$ to 3 m ; the radius of the radar beam coverage area is R . Within the radar projection area, the projection area is considered to be further divided into a fall detection area, a presence detection area and a motion-triggered detection area, which is shown in the diagram below.

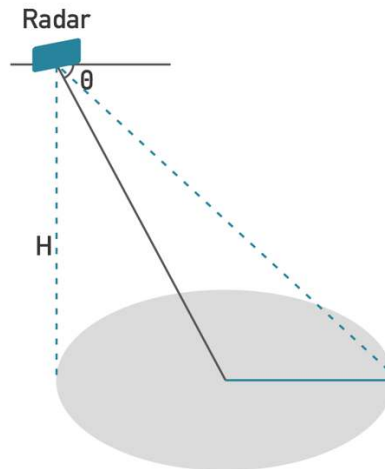


(a) Radar projection schematic (b) Schematic diagram of beam splitting

5.2. Tilt mounting mode

Some applications require the radar to be mounted at an angle, e.g. in the corner of a wall.

For this type of installation, a gyroscope sensor is considered to be located at home on the radar for radar tilt measurement, which in turn assists the radar with angle correction.



5.3. Horizontal mounting mode

Given the current number of channels in the radar chip, the fall check function in horizontal mounting mode is not considered for the time being.

6. Typical applications

- A. The product is suitable for small area scenarios such as bathrooms, toilets and bedrooms.
- B. The product is suitable for overhead installation and tilt installation mode.
- C. The product is suitable for single/twin situations.
- D. The product needs to be combined with the application scenario to eliminate interfering movements.