

REVISIONS			
LTR	DESCRIPTION	DATE	APPROVED
C	REVISED PER ECN # 1-1060	2/25/84	H. H. G. G.
D	REVISED PER ECN T-012469	8/7/90	J. S.

NOTES

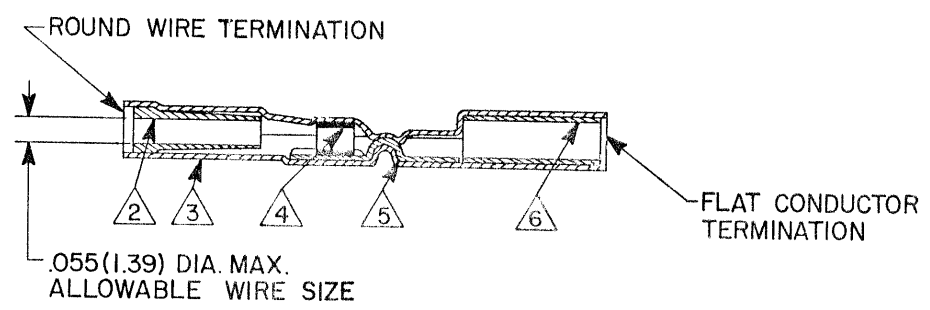
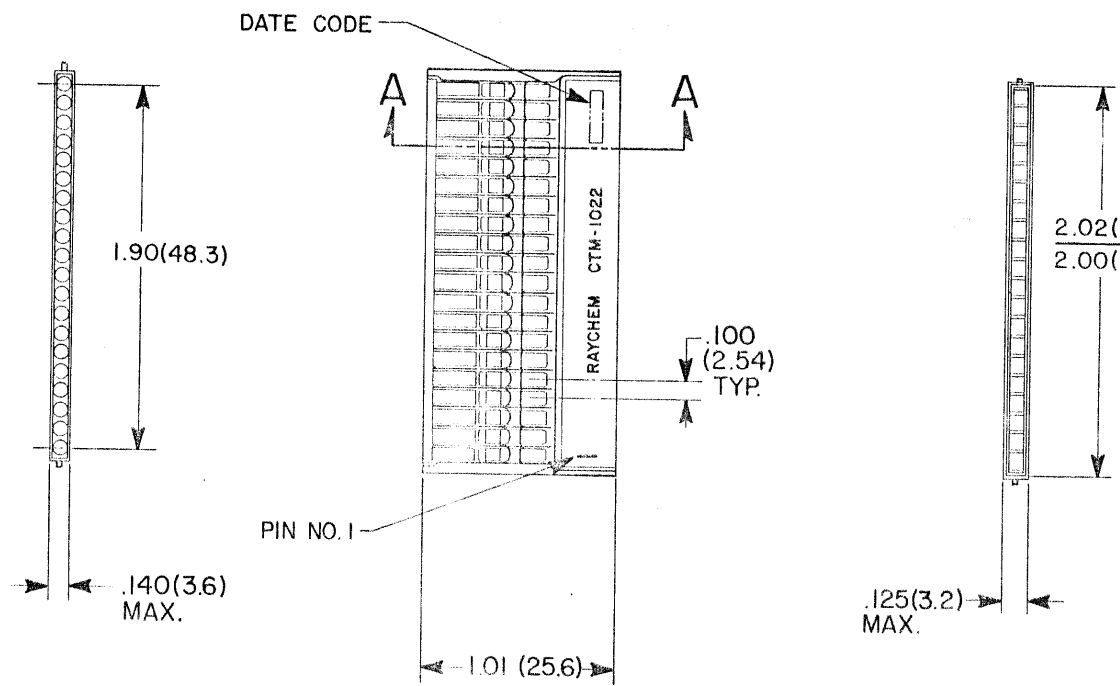
1. THIS CTM MEETS ALL REQUIREMENTS OF RAYCHEM SPECIFICATION C-6116.
2. WIRE SEAL: MODIFIED THERMOPLASTIC SEALANT
3. MODULE BODY: TRANSPARENT BLUE HEAT SHRINKABLE RADIATION CROSS LINKED PVF₂
4. SOLDER RING: Sn63 PER QQ-S-571
FLUX COATED WITH TYPE RMA PER QQ-S-571
5. CONTACT STRIP: COPPER ALLOY 172 PER QQ-C-533
SOLDER COATED PER QQ-S-571, Sn63
FLUX COATED PER QQ-S-571, TYPE RMA
6. CABLE SEAL: MODIFIED THERMOPLASTIC SEALANT
7. USABLE WIRE SIZE: ROUND WIRE 22 AWG AND 24 AWG-.055 DIA. MAX.
FLAT CONDUCTOR CABLE 22 GAGE PER RAYCHEM TU20 100 22 B OR 24 GAGE PER RAYCHEM TU20 100 24 B
8. CONSULT FACTORY FOR RAYCHEM ENGINEERING STANDARD FOR TERMINATION METHOD.
9. TOLERANCES, UNLESS OTHERWISE SPECIFIED:
.XXX = ± .005 (0.1)
.XX = ± .02 (0.5)
10. DIELECTRIC WITHSTANDING VOLTAGE:

TEST CONDITION	TEST VOLTAGE VAC RMS AT 60 Hz
SEA LEVEL	1000
ALTITUDE 70,000 FT (33.5 TORR) AMBIENT TEMP	375
ALTITUDE 80,000 FT (20.6 TORR) -50 °C TEMP	625

11. WEIGHT: .0070 lbs. [3.175 gr] MAX

SPECIFICATION CONTROL DRAWING © Raychem Corporation 1984

DRAWN	WELCH	5/24/84	Raychem <small>RAYCHEM CORPORATION 300 CONSTITUTION DRIVE MENLO PARK, CALIFORNIA 94025</small>
CHECKED	H. H. G. G.	5/25/84	
APPROVED	H. H. G. G.	5/25/84	
APPROVED	Haluna	5-25-84	
TITLE CABLE TRANSITION MODULE (CTM), FLAT TO ROUND TERMINATION, 2 INCH WITHOUT EARS, .100 PITCH ENVIRONMENT RESISTANT, 125 °C MAX OPER. TEMP.			
UNLESS OTHERWISE SPECIFIED DIMENSIONS ARE IN INCHES. METRIC DIMENSIONS ARE IN PARENTHESIS		SIZE	CODE IDENT. NO.
DO NOT SCALE THIS DRAWING		C	06090
		DWG NO.	CTM-1022
		WEIGHT	SHEET 1 OF 1



SECTION A-A

**If this document is printed it becomes uncontrolled.
Check with the web for latest revision.**