

ABBREVIATION	DESCRIPTION	COLOR	MATERIAL
A-BLACK	HOUSING, KEYING OPTION A	BLACK	SPS/NYLON GF20
B-LIGHT GRAY	HOUSING, KEYING OPTION B	LIGHT GRAY	SPS/NYLON GF20
C-BROWN	HOUSING, KEYING OPTION C	BROWN	SPS/NYLON GF20
D-GREEN	HOUSING, KEYING OPTION D	GREEN	SPS/NYLON GF20
C-DARK GRAY	HOUSING, KEYING OPTION C	DARK GRAY	SPS/NYLON GF20
D-STONE GRAY	HOUSING, KEYING OPTION D	STONE GRAY	SPS/NYLON GF20
A-YELLOW	HOUSING, KEYING OPTION A	YELLOW	SPS/NYLON GF20
A-BLACK-CLIP	HOUSING, KEYING OPTION A WITH CLIPSLOT	BLACK	SPS/NYLON GF20
B-LIGHT GRAY-CLIP	HOUSING, KEYING OPTION B WITH CLIPSLOT	LIGHT GRAY	SPS/NYLON GF20
C-DARK GRAY-CLIP	HOUSING, KEYING OPTION C WITH CLIPSLOT	DARK GRAY	SPS/NYLON GF20
D-STONE GRAY-CLIP	HOUSING, KEYING OPTION D WITH CLIPSLOT	STONE GRAY	SPS/NYLON GF20
GCO	GROMMET CAP (OPEN)	BLACK	SPS/NYLON GF20
GCP	GROMMET CAP (PLUGGED)	BLACK	SPS/NYLON GF20
PLR	PLR	NATURAL	SPS/NYLON GF20
CPA	CPA	RED	PBT GF30
M	MAT SEAL	LIGHT BLUE	INHERENTLY LUBRICATED SILICONE
R	RING SEAL	GREEN	INHERENTLY LUBRICATED SILICONE

FOR ADDITIONAL INFORMATION SEE SD-33472-0001

ASSEMBLY DESCRIPTION	ASSEMBLY PART NUMBER	COMPONENT						BLOCKED TERMINALS								STATUS	COMMENT	OPTIONAL ATTACHMENTS SOLD SEPARATELY			
		THE PRESENCE OF AN ABBREVIATION INDICATES THE PRESENCE OF THAT COMPONENT						CAVITY WITH A NUMBER INDICATES BLOCKED TERMINAL POSITION CAVITY WITHOUT A NUMBER INDICATES OPEN TERMINAL POSITION										BACKSHELL WITH RIBS	BACKSHELL WITHOUT RIBS	90° ADAPTOR WITH RIBS	90° ADAPTOR WITHOUT RIBS
		HOUSING KEY/COLOR	GROMMET CAP	PLR	CPA	MAT SEAL	RING SEAL														
MX150 ASSY RCP 2X8 BK A/16	334721601	A-BLACK	GCO	PLR		M	R	-	-	-	-	-	-	-	-	SALEABLE		N/A	N/A	N/A	N/A
MX150 ASSY RCP 2X8 LG B/16	334721602	B-LIGHT GRAY	GCO	PLR		M	R	-	-	-	-	-	-	-	-	SALEABLE		N/A	N/A	N/A	N/A
MX150 ASSY RCP 2X8 BRC/16	334721603	C-BROWN	GCO	PLR		M	R	-	-	-	-	-	-	-	-	NOT RECOMMENDED	SEE 334721767	N/A	N/A	N/A	N/A
MX150 ASSY RCP 2X8 GRD/16	334721604	D-GREEN	GCO	PLR		M	R	-	-	-	-	-	-	-	-	NOT RECOMMENDED	SEE 334721768	N/A	N/A	N/A	N/A
MX150 ASSY RCP 2X8 CPA BK A/16	334721606	A-BLACK	GCO	PLR	CPA	M	R	-	-	-	-	-	-	-	-	SALEABLE		N/A	N/A	N/A	N/A
MX150 ASSY RCP 2X8 CPA LG B/16	334721607	B-LIGHT GRAY	GCO	PLR	CPA	M	R	-	-	-	-	-	-	-	-	SALEABLE		N/A	N/A	N/A	N/A
MX150 ASSY RCP 2X8 CPA BRC/16	334721608	C-BROWN	GCO	PLR	CPA	M	R	-	-	-	-	-	-	-	-	NOT RECOMMENDED	SEE 334721769	N/A	N/A	N/A	N/A
MX150 ASSY RCP 2X8 CPA GRD/16	334721609	D-GREEN	GCO	PLR	CPA	M	R	-	-	-	-	-	-	-	-	NOT RECOMMENDED	SEE 334721770	N/A	N/A	N/A	N/A
MX150 ASSY RCP 2X8 BK A/15	334721611	A-BLACK	GCP	PLR		M	R	-	-	-	-	-	-	-	8	SALEABLE		N/A	N/A	N/A	N/A
MX150 ASSY RCP 2X8 LG B/15	334721612	B-LIGHT GRAY	GCP	PLR		M	R	-	-	-	-	-	-	-	8	SALEABLE		N/A	N/A	N/A	N/A
MX150 ASSY RCP 2X8 BRC/15	334721613	C-BROWN	GCP	PLR		M	R	-	-	-	-	-	-	-	8	NOT RECOMMENDED		N/A	N/A	N/A	N/A
MX150 ASSY RCP 2X8 GRD/15	334721614	D-GREEN	GCP	PLR		M	R	-	-	-	-	-	-	-	8	NOT RECOMMENDED		N/A	N/A	N/A	N/A
MX150 ASSY RCP 2X8 CPA BK A/15	334721616	A-BLACK	GCP	PLR	CPA	M	R	-	-	-	-	-	-	-	8	SALEABLE		N/A	N/A	N/A	N/A
MX150 ASSY RCP 2X8 CPA LG B/15	334721617	B-LIGHT GRAY	GCP	PLR	CPA	M	R	-	-	-	-	-	-	-	8	SALEABLE		N/A	N/A	N/A	N/A
MX150 ASSY RCP 2X8 CPA BRC/15	334721618	C-BROWN	GCP	PLR	CPA	M	R	-	-	-	-	-	-	-	8	NOT RECOMMENDED		N/A	N/A	N/A	N/A
MX150 ASSY RCP 2X8 CPA GRD/15	334721619	D-GREEN	GCP	PLR	CPA	M	R	-	-	-	-	-	-	-	8	NOT RECOMMENDED		N/A	N/A	N/A	N/A

ASSEMBLY DESCRIPTION	ASSEMBLY PART NUMBER	COMPONENT						BLOCKED TERMINALS								STATUS	COMMENT	OPTIONAL ATTACHMENTS SOLD SEPARATELY											
		THE PRESENCE OF AN ABBREVIATION INDICATES THE PRESENCE OF THAT COMPONENT						CAVITY WITH A NUMBER INDICATES BLOCKED TERMINAL POSITION CAVITY WITHOUT A NUMBER INDICATES OPEN TERMINAL POSITION										BACKSHELL WITH RIBS	BACKSHELL WITHOUT RIBS	90° ADAPTOR WITH RIBS	90° ADAPTOR WITHOUT RIBS								
		HOUSING KEY/COLOR	GROMMET CAP	PLR	CPA	MAT SEAL	RING SEAL	1	2	3	4	5	6	7	8							9	10	11	12	13	14	15	16
MX150 ASSY RCP 2X8 BK A/0	334721621	A-BLACK	GCP	PLR		M	R	1	2	3	4	5	6	7	8	9	10	11	12	13	14	15	16	SALEABLE		N/A	N/A	N/A	N/A
MX150 ASSY RCP 2X8 LG B/0	334721622	B-LIGHT GRAY	GCP	PLR		M	R	1	2	3	4	5	6	7	8	9	10	11	12	13	14	15	16	SALEABLE		N/A	N/A	N/A	N/A
MX150 ASSY RCP 2X8 BRC/0	334721623	C-BROWN	GCP	PLR		M	R	1	2	3	4	5	6	7	8	9	10	11	12	13	14	15	16	NOT RECOMMENDED		N/A	N/A	N/A	N/A
MX150 ASSY RCP 2X8 GRD/0	334721624	D-GREEN	GCP	PLR		M	R	1	2	3	4	5	6	7	8	9	10	11	12	13	14	15	16	NOT RECOMMENDED		N/A	N/A	N/A	N/A
MX150 ASSY RCP 2X8 CPA BK A/0	334721626	A-BLACK	GCP	PLR	CPA	M	R	1	2	3	4	5	6	7	8	9	10	11	12	13	14	15	16	SALEABLE		N/A	N/A	N/A	N/A
MX150 ASSY RCP 2X8 CPA LG B/0	334721627	B-LIGHT GRAY	GCP	PLR	CPA	M	R	1	2	3	4	5	6	7	8	9	10	11	12	13	14	15	16	SALEABLE		N/A	N/A	N/A	N/A
MX150 ASSY RCP 2X8 CPA BRC/0	334721628	C-BROWN	GCP	PLR	CPA	M	R	1	2	3	4	5	6	7	8	9	10	11	12	13	14	15	16	NOT RECOMMENDED		N/A	N/A	N/A	N/A
MX150 ASSY RCP 2X8 CPA GRD/0	334721629	D-GREEN	GCP	PLR	CPA	M	R	1	2	3	4	5	6	7	8	9	10	11	12	13	14	15	16	NOT RECOMMENDED		N/A	N/A	N/A	N/A
MX150 ASSY RCP 2X8 BK A/14	334721631	A-BLACK	GCP	PLR		M	R	-	-	-	-	-	-	-	-	8	9	-	-	-	-	-	-	SALEABLE		N/A	N/A	N/A	N/A
MX150 ASSY RCP 2X8 LG B/14	334721632	B-LIGHT GRAY	GCP	PLR		M	R	-	-	-	-	-	-	-	-	8	9	-	-	-	-	-	-	SALEABLE		N/A	N/A	N/A	N/A
MX150 ASSY RCP 2X8 BRC/14	334721633	C-BROWN	GCP	PLR		M	R	-	-	-	-	-	-	-	-	8	9	-	-	-	-	-	-	NOT RECOMMENDED		N/A	N/A	N/A	N/A
MX150 ASSY RCP 2X8 GRD/14	334721634	D-GREEN	GCP	PLR		M	R	-	-	-	-	-	-	-	-	8	9	-	-	-	-	-	-	NOT RECOMMENDED		N/A	N/A	N/A	N/A
MX150 ASSY RCP 2X8 CPA BK A/14	334721636	A-BLACK	GCP	PLR	CPA	M	R	-	-	-	-	-	-	-	-	8	9	-	-	-	-	-	-	SALEABLE		N/A	N/A	N/A	N/A
MX150 ASSY RCP 2X8 CPA LG B/14	334721637	B-LIGHT GRAY	GCP	PLR	CPA	M	R	-	-	-	-	-	-	-	-	8	9	-	-	-	-	-	-	SALEABLE		N/A	N/A	N/A	N/A
MX150 ASSY RCP 2X8 CPA BRC/14	334721638	C-BROWN	GCP	PLR	CPA	M	R	-	-	-	-	-	-	-	-	8	9	-	-	-	-	-	-	NOT RECOMMENDED		N/A	N/A	N/A	N/A
MX150 ASSY RCP 2X8 CPA GRD/14	334721639	D-GREEN	GCP	PLR	CPA	M	R	-	-	-	-	-	-	-	-	8	9	-	-	-	-	-	-	NOT RECOMMENDED		N/A	N/A	N/A	N/A
MX150 ASSY RCP 2X8 BK A/13	334721641	A-BLACK	GCP	PLR		M	R	1	-	-	-	-	-	-	-	8	9	-	-	-	-	-	-	SALEABLE		N/A	N/A	N/A	N/A
MX150 ASSY RCP 2X8 LG B/13	334721642	B-LIGHT GRAY	GCP	PLR		M	R	1	-	-	-	-	-	-	-	8	9	-	-	-	-	-	-	SALEABLE		N/A	N/A	N/A	N/A
MX150 ASSY RCP 2X8 BRC/13	334721643	C-BROWN	GCP	PLR		M	R	1	-	-	-	-	-	-	-	8	9	-	-	-	-	-	-	NOT RECOMMENDED		N/A	N/A	N/A	N/A
MX150 ASSY RCP 2X8 GRD/13	334721644	D-GREEN	GCP	PLR		M	R	1	-	-	-	-	-	-	-	8	9	-	-	-	-	-	-	NOT RECOMMENDED		N/A	N/A	N/A	N/A
MX150 ASSY RCP 2X8 CPA BK A/13	334721646	A-BLACK	GCP	PLR	CPA	M	R	1	-	-	-	-	-	-	-	8	9	-	-	-	-	-	-	SALEABLE		N/A	N/A	N/A	N/A
MX150 ASSY RCP 2X8 CPA LG B/13	334721647	B-LIGHT GRAY	GCP	PLR	CPA	M	R	1	-	-	-	-	-	-	-	8	9	-	-	-	-	-	-	SALEABLE		N/A	N/A	N/A	N/A
MX150 ASSY RCP 2X8 CPA BRC/13	334721648	C-BROWN	GCP	PLR	CPA	M	R	1	-	-	-	-	-	-	-	8	9	-	-	-	-	-	-	NOT RECOMMENDED		N/A	N/A	N/A	N/A
MX150 ASSY RCP 2X8 CPA GRD/13	334721649	D-GREEN	GCP	PLR	CPA	M	R	1	-	-	-	-	-	-	-	8	9	-	-	-	-	-	-	NOT RECOMMENDED		N/A	N/A	N/A	N/A
MX150 ASSY RCP 2X8 BK A/15	334721651	A-BLACK	GCP	PLR		M	R	-	-	-	-	-	-	-	-	-	-	-	-	-	-	15	-	SALEABLE		N/A	N/A	N/A	N/A
MX150 ASSY RCP 2X8 CPA BK A/15	334721652	A-BLACK	GCP	PLR	CPA	M	R	-	-	-	-	-	-	-	-	-	-	-	-	-	-	15	-	SALEABLE		N/A	N/A	N/A	N/A
MX150 ASSY RCP 2X8 BK A/12	334721653	A-BLACK	GCP	PLR		M	R	1	-	-	-	-	-	-	-	8	9	-	-	-	-	-	-	SALEABLE		N/A	N/A	N/A	N/A

ASSEMBLY DESCRIPTION	ASSEMBLY PART NUMBER	COMPONENT						BLOCKED TERMINALS								STATUS	COMMENT	OPTIONAL ATTACHMENTS SOLD SEPARATELY											
		THE PRESENCE OF AN ABBREVIATION INDICATES THE PRESENCE OF THAT COMPONENT						CAVITY WITH A NUMBER INDICATES BLOCKED TERMINAL POSITION CAVITY WITHOUT A NUMBER INDICATES OPEN TERMINAL POSITION										BACKSHELL WITH RIBS	BACKSHELL WITHOUT RIBS	90° ADAPTOR WITH RIBS	90° ADAPTOR WITHOUT RIBS								
		HOUSING KEY/COLOR	GROMMET CAP	PLR	CPA	MAT SEAL	RING SEAL	1	2	3	4	5	6	7	8			9	10	11	12	13	14	15	16				
MX150 ASSY RCP 2X8 LG B/12	334721654	B-LIGHT GRAY	GCP	PLR		M	R	1	-	-	-	-	-	-	8	9	-	-	-	-	-	-	-	SALEABLE		N/A	N/A	N/A	N/A
MX150 ASSY RCP 2X8 BRC/12	334721655	C-BROWN	GCP	PLR		M	R	1	-	-	-	-	-	-	8	9	-	-	-	-	-	-	-	NOT RECOMMENDED		N/A	N/A	N/A	N/A
MX150 ASSY RCP 2X8 GRD/12	334721656	D-GREEN	GCP	PLR		M	R	1	-	-	-	-	-	-	8	9	-	-	-	-	-	-	-	NOT RECOMMENDED		N/A	N/A	N/A	N/A
MX150 ASSY RCP 2X8 CPA BK A/12	334721658	A-BLACK	GCP	PLR	CPA	M	R	1	-	-	-	-	-	-	8	9	-	-	-	-	-	-	-	SALEABLE		N/A	N/A	N/A	N/A
MX150 ASSY RCP 2X8 CPA LG B/12	334721659	B-LIGHT GRAY	GCP	PLR	CPA	M	R	1	-	-	-	-	-	-	8	9	-	-	-	-	-	-	-	SALEABLE		N/A	N/A	N/A	N/A
MX150 ASSY RCP 2X8 CPA BRC/12	334721660	C-BROWN	GCP	PLR	CPA	M	R	1	-	-	-	-	-	-	8	9	-	-	-	-	-	-	-	NOT RECOMMENDED		N/A	N/A	N/A	N/A
MX150 ASSY RCP 2X8 CPA GRD/12	334721661	D-GREEN	GCP	PLR	CPA	M	R	1	-	-	-	-	-	-	8	9	-	-	-	-	-	-	-	NOT RECOMMENDED		N/A	N/A	N/A	N/A
MX150 ASSY RCP 2X8 BK A/7	334721663	A-BLACK	GCP	PLR		M	R	1	-	-	4	-	6	7	8	9	-	-	12	13	14	-	-	SALEABLE		N/A	N/A	N/A	N/A
MX150 ASSY RCP 2X8 BK A/4	334721664	A-BLACK	GCP	PLR		M	R	-	-	3	4	5	-	7	-	9	10	11	12	13	14	15	16	SALEABLE		N/A	N/A	N/A	N/A
MX150 ASSY RCP 2X8 BK A/10	334721665	A-BLACK	GCP	PLR		M	R	-	-	-	-	-	-	7	8	9	-	-	12	13	14	-	-	SALEABLE		N/A	N/A	N/A	N/A
MX150 ASSY RCP 2X8 BK A/6	334721666	A-BLACK	GCP	PLR		M	R	-	-	3	4	5	-	-	-	-	10	11	12	13	14	15	16	SALEABLE		N/A	N/A	N/A	N/A
MX150 ASSY RCP 2X8 BK A/5	334721667	A-BLACK	GCP	PLR		M	R	-	-	3	4	5	-	-	-	9	10	11	12	13	14	15	16	SALEABLE		N/A	N/A	N/A	N/A
MX150 ASSY RCP 2X8 BK A/14	334721668	A-BLACK	GCP	PLR		M	R	1	-	-	-	5	-	-	-	-	-	-	-	-	-	-	-	SALEABLE		N/A	N/A	N/A	N/A
MX150 ASSY RCP 2X8 LG B/10	334721669	B-LIGHT GRAY	GCP	PLR		M	R	-	-	-	-	-	-	-	8	-	-	-	12	13	14	15	16	SALEABLE		N/A	N/A	N/A	N/A
MX150 ASSY RCP 2X8 LG B/11	334721670	B-LIGHT GRAY	GCP	PLR		M	R	-	-	-	-	-	-	-	8	-	-	-	-	13	14	15	16	SALEABLE		N/A	N/A	N/A	N/A
MX150 ASSY RCP 2X8 LG B/14	334721671	B-LIGHT GRAY	GCP	PLR		M	R	-	-	-	-	-	-	-	-	-	10	11	-	-	-	-	-	SALEABLE		N/A	N/A	N/A	N/A
MX150 ASSY RCP 2X8 LG B/13	334721672	B-LIGHT GRAY	GCP	PLR		M	R	-	-	-	-	-	-	-	-	-	10	11	12	-	-	-	-	SALEABLE		N/A	N/A	N/A	N/A
MX150 ASSY RCP 2X8 CPA BK A/10	334721673	A-BLACK	GCP	PLR	CPA	M	R	-	-	-	-	-	-	-	-	-	10	11	-	13	14	15	16	SALEABLE		N/A	N/A	N/A	N/A
MX150 ASSY RCP 2X8 LG B/15	334721674	B-LIGHT GRAY	GCP	PLR		M	R	-	-	-	-	-	-	-	-	-	-	-	12	-	-	-	-	SALEABLE		N/A	N/A	N/A	N/A
MX150 ASSY RCP 2X8 CPA BK A/12	334721675	A-BLACK	GCP	PLR	CPA	M	R	-	-	-	-	-	-	-	-	-	10	11	-	-	-	15	16	SALEABLE		N/A	N/A	N/A	N/A
MX150 ASSY RCP 2X8 CPA BK A/9	334721676	A-BLACK	GCP	PLR	CPA	M	R	-	-	-	-	-	-	-	8	9	10	11	12	-	-	15	16	SALEABLE		N/A	N/A	N/A	N/A
MX150 ASSY RCP 2X8 LG B/10	334721677	B-LIGHT GRAY	GCP	PLR		M	R	-	-	-	4	-	6	7	8	-	-	-	12	-	14	-	-	SALEABLE		N/A	N/A	N/A	N/A
MX150 ASSY RCP 2X8 BK A/15	334721678	A-BLACK	GCP	PLR		M	R	-	-	-	-	5	-	-	-	-	-	-	-	-	-	-	-	SALEABLE		N/A	N/A	N/A	N/A
MX150 ASSY RCP 2X8 BK A/14	334721679	A-BLACK	GCP	PLR		M	R	-	-	-	-	5	-	-	-	-	-	-	-	-	-	-	16	SALEABLE		N/A	N/A	N/A	N/A
MX150 ASSY RCP 2X8 CPA BK A/14	334721680	A-BLACK	GCP	PLR	CPA	M	R	-	-	-	-	-	-	-	-	-	-	-	-	-	-	15	16	SALEABLE		N/A	N/A	N/A	N/A
MX150 ASSY RCP 2X8 BK A/11	334721681	A-BLACK	GCP	PLR		M	R	-	2	-	-	5	-	7	-	-	10	-	-	-	14	-	-	SALEABLE		N/A	N/A	N/A	N/A
MX150 ASSY RCP 2X8 LG B/15	334721682	B-LIGHT GRAY	GCP	PLR		M	R	-	-	-	4	-	-	-	-	-	-	-	-	-	-	-	-	SALEABLE		N/A	N/A	N/A	N/A

ASSEMBLY DESCRIPTION	ASSEMBLY PART NUMBER	COMPONENT						BLOCKED TERMINALS								STATUS	COMMENT	OPTIONAL ATTACHMENTS SOLD SEPARATELY					
		THE PRESENCE OF AN ABBREVIATION INDICATES THE PRESENCE OF THAT COMPONENT						CAVITY WITH A NUMBER INDICATES BLOCKED TERMINAL POSITION CAVITY WITHOUT A NUMBER INDICATES OPEN TERMINAL POSITION										BACKSHELL WITH RIBS	BACKSHELL WITHOUT RIBS	90° ADAPTOR WITH RIBS	90° ADAPTOR WITHOUT RIBS		
		HOUSING KEY/COLOR	GROMMET CAP	PLR	CPA	MAT SEAL	RING SEAL																
MX150 ASSY RCP 2X8 BK A/15	334721683	A-BLACK	GCP	PLR		M	R	-	-	-	-	-	-	-	-	-	16	SALEABLE		N/A	N/A	N/A	N/A
MX150 ASSY RCP 2X8 BK A/14	334721684	A-BLACK	GCP	PLR		M	R	-	-	-	4	-	-	-	-	-	-	SALEABLE		N/A	N/A	N/A	N/A
MX150 ASSY RCP 2X8 LG B/15	334721685	B-LIGHT GRAY	GCP	PLR		M	R	-	-	-	-	-	-	-	-	-	16	SALEABLE		N/A	N/A	N/A	N/A
MX150 ASSY RCP 2X8 LG B/13	334721686	B-LIGHT GRAY	GCP	PLR		M	R	-	-	-	4	-	-	-	-	-	-	SALEABLE		N/A	N/A	N/A	N/A
MX150 ASSY RCP 2X8 LG B/15	334721687	B-LIGHT GRAY	GCP	PLR		M	R	-	-	-	-	-	-	-	-	-	-	SALEABLE		N/A	N/A	N/A	N/A
MX150 ASSY RCP 2X8 BK A/15	334721688	A-BLACK	GCP	PLR		M	R	-	2	-	-	-	-	-	-	-	-	SALEABLE		N/A	N/A	N/A	N/A
MX150 ASSY RCP 2X8 LG B/12	334721689	B-LIGHT GRAY	GCP	PLR		M	R	-	2	-	4	-	-	-	-	-	-	SALEABLE		N/A	N/A	N/A	N/A
MX150 ASSY RCP 2X8 LG B/14	334721690	B-LIGHT GRAY	GCP	PLR		M	R	-	2	-	-	-	-	-	-	-	-	SALEABLE		N/A	N/A	N/A	N/A
MX150 ASSY RCP 2X8 BK A/13	334721691	A-BLACK	GCP	PLR		M	R	-	2	-	4	-	-	-	-	-	-	SALEABLE		N/A	N/A	N/A	N/A
MX150 ASSY RCP 2X8 BK A/13	334721692	A-BLACK	GCP	PLR		M	R	-	-	-	4	-	-	-	-	-	8	SALEABLE		N/A	N/A	N/A	N/A
MX150 ASSY RCP 2X8 LG B/12	334721693	B-LIGHT GRAY	GCP	PLR		M	R	-	-	-	4	-	-	-	-	-	8	SALEABLE		N/A	N/A	N/A	N/A
MX150 ASSY RCP 2X8 LG B/14	334721694	B-LIGHT GRAY	GCP	PLR		M	R	-	-	-	-	-	-	-	-	-	8	SALEABLE		N/A	N/A	N/A	N/A
MX150 ASSY RCP 2X8 BK A/14	334721695	A-BLACK	GCP	PLR		M	R	-	2	-	-	-	-	-	-	-	8	SALEABLE		N/A	N/A	N/A	N/A
MX150 ASSY RCP 2X8 BK A/12	334721701	A-BLACK	GCP	PLR		M	R	-	2	-	4	-	-	-	-	-	8	SALEABLE		N/A	N/A	N/A	N/A
MX150 ASSY RCP 2X8 LG B/11	334721702	B-LIGHT GRAY	GCP	PLR		M	R	-	2	-	4	-	-	-	-	-	8	SALEABLE		N/A	N/A	N/A	N/A
MX150 ASSY RCP 2X8 LG B/13	334721703	B-LIGHT GRAY	GCP	PLR		M	R	-	2	-	-	-	-	-	-	-	8	SALEABLE		N/A	N/A	N/A	N/A
MX150 ASSY RCP 2X8 BK A/14	334721704	A-BLACK	GCP	PLR		M	R	-	2	-	4	-	-	-	-	-	-	SALEABLE		N/A	N/A	N/A	N/A
MX150 ASSY RCP 2X8 LG B/13	334721705	B-LIGHT GRAY	GCP	PLR		M	R	-	2	-	4	-	-	-	-	-	-	SALEABLE		N/A	N/A	N/A	N/A
MX150 ASSY RCP 2X8 BK A/9	334721706	A-BLACK	GCP	PLR		M	R	-	2	-	-	-	6	-	-	-	-	SALEABLE		N/A	N/A	N/A	N/A
MX150 ASSY RCP 2X8 BK A/8	334721707	A-BLACK	GCP	PLR		M	R	-	2	-	-	-	6	-	-	-	-	SALEABLE		N/A	N/A	N/A	N/A
MX150 ASSY RCP 2X8 BK A/11	334721708	A-BLACK	GCP	PLR		M	R	-	2	-	-	-	6	-	-	-	-	SALEABLE		N/A	N/A	N/A	N/A
MX150 ASSY RCP 2X8 BK A/14	334721709	A-BLACK	GCP	PLR		M	R	-	-	-	4	-	-	-	-	-	8	SALEABLE		N/A	N/A	N/A	N/A
MX150 ASSY RCP 2X8 BK A/13	334721710	A-BLACK	GCP	PLR		M	R	-	2	-	-	-	6	-	-	-	-	SALEABLE		N/A	N/A	N/A	N/A
MX150 ASSY RCP 2X8 BK A/14	334721711	A-BLACK	GCP	PLR		M	R	-	2	-	-	-	6	-	-	-	-	SALEABLE		N/A	N/A	N/A	N/A
MX150 ASSY RCP 2X8 CPA BK A/11	334721712	A-BLACK	GCP	PLR	CPA	M	R	-	-	-	-	5	6	7	8	-	-	SALEABLE		N/A	N/A	N/A	N/A
MX150 ASSY RCP 2X8 CPA BK A/8	334721713	A-BLACK	GCP	PLR	CPA	M	R	-	-	-	-	5	6	7	8	-	-	SALEABLE		N/A	N/A	N/A	N/A
MX150 ASSY RCP 2X8 CPA BK A/9	334721714	A-BLACK	GCP	PLR	CPA	M	R	-	-	-	-	5	6	7	8	-	-	SALEABLE		N/A	N/A	N/A	N/A

ASSEMBLY DESCRIPTION	ASSEMBLY PART NUMBER	COMPONENT						BLOCKED TERMINALS								STATUS	COMMENT	OPTIONAL ATTACHMENTS SOLD SEPARATELY			
		THE PRESENCE OF AN ABBREVIATION INDICATES THE PRESENCE OF THAT COMPONENT						CAVITY WITH A NUMBER INDICATES BLOCKED TERMINAL POSITION CAVITY WITHOUT A NUMBER INDICATES OPEN TERMINAL POSITION										BACKSHELL WITH RIBS	BACKSHELL WITHOUT RIBS	90° ADAPTOR WITH RIBS	90° ADAPTOR WITHOUT RIBS
		HOUSING KEY/COLOR	GROMMET CAP	PLR	CPA	MAT SEAL	RING SEAL	1	2	3	4	5	6	7	8						
MX150 ASSY RCP 2X8 CPA LG B/6	334721715	B-LIGHT GRAY	GCP	PLR	CPA	M	R	1	2	3	4	5	6	7	8	SALEABLE		N/A	N/A	N/A	N/A
MX150 ASSY RCP 2X8 CPA LG B/10	334721716	B-LIGHT GRAY	GCP	PLR	CPA	M	R	1	-	3	4	5	-	-	8	SALEABLE		N/A	N/A	N/A	N/A
MX150 ASSY RCP 2X8 CPA LG B/11	334721717	B-LIGHT GRAY	GCP	PLR	CPA	M	R	1	-	-	4	5	-	-	8	SALEABLE		N/A	N/A	N/A	N/A
MX150 ASSY RCP 2X8 CPA BK A/10	334721718	A-BLACK	GCP	PLR	CPA	M	R	-	-	-	-	5	6	7	8	SALEABLE		N/A	N/A	N/A	N/A
MX150 ASSY RCP 2X8 CPA BK A/11	334721719	A-BLACK	GCP	PLR	CPA	M	R	-	-	-	4	5	6	-	-	SALEABLE		N/A	N/A	N/A	N/A
MX150 ASSY RCP 2X8 CPA BK A/10	334721720	A-BLACK	GCP	PLR	CPA	M	R	-	-	3	4	5	6	-	-	SALEABLE		N/A	N/A	N/A	N/A
MX150 ASSY RCP 2X8 CPA BK A/11	334721721	A-BLACK	GCP	PLR	CPA	M	R	-	-	-	-	-	-	-	8	SALEABLE		N/A	N/A	N/A	N/A
MX150 ASSY RCP 2X8 CPA BK A/6	334721722	A-BLACK	GCP	PLR	CPA	M	R	1	2	3	4	5	6	-	8	SALEABLE		N/A	N/A	N/A	N/A
MX150 ASSY RCP 2X8 CPA BK A/10	334721723	A-BLACK	GCP	PLR	CPA	M	R	-	-	-	-	-	-	7	8	SALEABLE		N/A	N/A	N/A	N/A
MX150 ASSY RCP 2X8 CPA BK A/11	334721724	A-BLACK	GCP	PLR	CPA	M	R	-	-	-	-	-	-	7	8	SALEABLE		N/A	N/A	N/A	N/A
MX150 ASSY RCP 2X8 CPA BK A/13	334721725	A-BLACK	GCP	PLR	CPA	M	R	-	-	-	-	-	-	7	8	SALEABLE		N/A	N/A	N/A	N/A
MX150 ASSY RCP 2X8 CPA BK A/12	334721726	A-BLACK	GCP	PLR	CPA	M	R	-	-	-	-	-	-	7	8	SALEABLE		N/A	N/A	N/A	N/A
MX150 ASSY RCP 2X8 CPA LG B/12	334721728	B-LIGHT GRAY	GCP	PLR	CPA	M	R	-	-	-	4	5	-	-	8	SALEABLE		N/A	N/A	N/A	N/A
MX150 ASSY RCP 2X8 CPA LG B/7	334721729	B-LIGHT GRAY	GCP	PLR	CPA	M	R	1	2	-	4	5	6	-	8	SALEABLE		N/A	N/A	N/A	N/A
MX150 ASSY RCP 2X8 CPA LG B/6	334721730	B-LIGHT GRAY	GCP	PLR	CPA	M	R	-	2	-	4	5	6	-	8	SALEABLE		N/A	N/A	N/A	N/A
MX150 ASSY RCP 2X8 CPA LG B/12	334721731	B-LIGHT GRAY	GCP	PLR	CPA	M	R	-	-	-	4	5	-	-	-	SALEABLE		N/A	N/A	N/A	N/A
MX150 ASSY RCP 2X8 CPA LG B/8	334721732	B-LIGHT GRAY	GCP	PLR	CPA	M	R	-	2	-	4	5	6	-	8	SALEABLE		N/A	N/A	N/A	N/A
MX150 ASSY RCP 2X8 CPA LG B/14	334721733	B-LIGHT GRAY	GCP	PLR	CPA	M	R	-	-	-	-	-	6	-	-	SALEABLE		N/A	N/A	N/A	N/A
MX150 ASSY RCP 2X8 CPA LG B/13	334721734	B-LIGHT GRAY	GCP	PLR	CPA	M	R	-	-	3	-	-	6	-	-	SALEABLE		N/A	N/A	N/A	N/A
MX150 ASSY RCP 2X8 CPA LG B/7	334721735	B-LIGHT GRAY	GCP	PLR	CPA	M	R	-	2	3	4	5	6	-	8	SALEABLE		N/A	N/A	N/A	N/A
MX150 ASSY RCP 2X8 BK A/8	334721736	A-BLACK	GCP	PLR		M	R	-	2	-	4	5	6	-	-	SALEABLE		N/A	N/A	N/A	N/A
MX150 ASSY RCP 2X8 CPA LG B/4	334721737	B-LIGHT GRAY	GCP	PLR	CPA	M	R	1	2	3	4	5	6	-	8	SALEABLE		N/A	N/A	N/A	N/A
MX150 ASSY RCP 2X8 CPA LG B/15	334721738	B-LIGHT GRAY	GCP	PLR	CPA	M	R	-	-	-	-	-	-	-	-	SALEABLE		N/A	N/A	N/A	N/A
MX150 ASSY RCP 2X8 CPA LG B/11	334721739	B-LIGHT GRAY	GCP	PLR	CPA	M	R	-	-	-	4	5	-	-	-	SALEABLE		N/A	N/A	N/A	N/A
MX150 ASSY RCP 2X8 CPA BK A/14	334721740	A-BLACK	GCP	PLR	CPA	M	R	-	-	-	-	5	-	-	-	SALEABLE		N/A	N/A	N/A	N/A
MX150 ASSY RCP 2X8 CPA BK A/9	334721741	A-BLACK	GCP	PLR	CPA	M	R	-	-	-	-	-	-	7	8	SALEABLE		N/A	N/A	N/A	N/A
MX150 ASSY RCP 2X8 CPA BK A/10	334721742	A-BLACK	GCP	PLR	CPA	M	R	-	-	-	-	-	-	7	8	SALEABLE		N/A	N/A	N/A	N/A

ASSEMBLY DESCRIPTION	ASSEMBLY PART NUMBER	COMPONENT						BLOCKED TERMINALS								STATUS	COMMENT	OPTIONAL ATTACHMENTS SOLD SEPARATELY			
		THE PRESENCE OF AN ABBREVIATION INDICATES THE PRESENCE OF THAT COMPONENT						CAVITY WITH A NUMBER INDICATES BLOCKED TERMINAL POSITION CAVITY WITHOUT A NUMBER INDICATES OPEN TERMINAL POSITION										BACKSHELL WITH RIBS	BACKSHELL WITHOUT RIBS	90° ADAPTOR WITH RIBS	90° ADAPTOR WITHOUT RIBS
		HOUSING KEY/COLOR	GROMMET CAP	PLR	CPA	MAT SEAL	RING SEAL														
MX150 ASSY RCP 2X8 CPA BK A/14	334721743	A-BLACK	GCP	PLR	CPA	M	R	-	-	-	-	-	-	7	8	SALEABLE		N/A	N/A	N/A	N/A
MX150 ASSY RCP 2X8 CPA BK A/15	334721744	A-BLACK	GCP	PLR	CPA	M	R	-	-	-	-	-	-	-	-	SALEABLE		N/A	N/A	N/A	N/A
MX150 ASSY RCP 2X8 BK A/12	334721745	A-BLACK	GCP	PLR		M	R	-	-	-	-	-	-	-	-	SALEABLE		N/A	N/A	N/A	N/A
MX150 ASSY RCP 2X8 BK A/4	334721746	A-BLACK	GCP	PLR		M	R	1	2	3	4	5	6	-	-	SALEABLE		N/A	N/A	N/A	N/A
MX150 ASSY RCP 2X8 BK A/5	334721747	A-BLACK	GCP	PLR		M	R	1	2	3	4	5	6	-	8	SALEABLE		N/A	N/A	N/A	N/A
MX150 ASSY RCP 2X8 BK A/5	334721748	A-BLACK	GCP	PLR		M	R	1	2	3	4	5	6	-	-	SALEABLE		N/A	N/A	N/A	N/A
MX150 ASSY RCP 2X8 BK A/6	334721749	A-BLACK	GCP	PLR		M	R	9	10	11	12	13	14	15	16	SALEABLE		N/A	N/A	N/A	N/A
MX150 ASSY RCP 2X8 BK A/7	334721750	A-BLACK	GCP	PLR		M	R	1	2	3	4	5	6	-	-	SALEABLE		N/A	N/A	N/A	N/A
MX150 ASSY RCP 2X8 BK A/7	334721751	A-BLACK	GCP	PLR		M	R	9	10	11	12	13	14	15	16	SALEABLE		N/A	N/A	N/A	N/A
MX150 ASSY RCP 2X8 BK A/9	334721752	A-BLACK	GCP	PLR		M	R	-	-	-	-	-	-	-	-	SALEABLE		N/A	N/A	N/A	N/A
MX150 ASSY RCP 2X8 BK A/10	334721753	A-BLACK	GCP	PLR		M	R	-	-	-	-	-	-	-	-	SALEABLE		N/A	N/A	N/A	N/A
MX150 ASSY RCP 2X8 BK A/10	334721754	A-BLACK	GCP	PLR		M	R	1	2	3	4	5	6	-	-	SALEABLE		N/A	N/A	N/A	N/A
MX150 ASSY RCP 2X8 BK A/11	334721755	A-BLACK	GCP	PLR		M	R	-	-	-	-	-	-	-	8	SALEABLE		N/A	N/A	N/A	N/A
MX150 ASSY RCP 2X8 BK A/11	334721756	A-BLACK	GCP	PLR		M	R	9	-	-	-	-	14	15	16	SALEABLE		N/A	N/A	N/A	N/A
MX150 ASSY RCP 2X8 BK A/11	334721756	A-BLACK	GCP	PLR		M	R	-	-	-	-	-	-	-	-	SALEABLE		N/A	N/A	N/A	N/A
MX150 ASSY RCP 2X8 BK A/12	334721757	A-BLACK	GCP	PLR		M	R	-	-	-	-	-	-	7	8	SALEABLE		N/A	N/A	N/A	N/A
MX150 ASSY RCP 2X8 BK A/13	334721758	A-BLACK	GCP	PLR		M	R	9	10	-	-	-	-	-	-	SALEABLE		N/A	N/A	N/A	N/A
MX150 ASSY RCP 2X8 BK A/12	334721759	A-BLACK	GCP	PLR		M	R	-	2	-	-	-	6	7	8	SALEABLE		N/A	N/A	N/A	N/A
MX150 ASSY RCP 2X8 BK A/10	334721760	A-BLACK	GCP	PLR		M	R	-	2	-	4	-	6	7	8	SALEABLE		N/A	N/A	N/A	N/A
MX150 ASSY RCP 2X8 BK A/5	334721761	A-BLACK	GCP	PLR		M	R	-	2	-	-	5	6	7	8	SALEABLE		N/A	N/A	N/A	N/A
MX150 ASSY RCP 2X8 BK A/7	334721762	A-BLACK	GCP	PLR		M	R	9	10	-	12	-	14	15	16	SALEABLE		N/A	N/A	N/A	N/A
MX150 ASSY RCP 2X8 BK A/7	334721762	A-BLACK	GCP	PLR		M	R	-	2	-	-	5	6	7	8	SALEABLE		N/A	N/A	N/A	N/A
MX150 ASSY RCP 2X8 BK A/11	334721763	A-BLACK	GCP	PLR		M	R	-	10	-	12	-	14	15	-	SALEABLE		N/A	N/A	N/A	N/A
MX150 ASSY RCP 2X8 BK A/11	334721763	A-BLACK	GCP	PLR		M	R	9	10	-	-	-	-	15	16	SALEABLE		N/A	N/A	N/A	N/A
MX150 ASSY RCP 2X8 BK A/13	334721764	A-BLACK	GCP	PLR		M	R	-	2	-	-	-	-	-	-	SALEABLE		N/A	N/A	N/A	N/A
MX150 ASSY RCP 2X8 BK A/13	334721764	A-BLACK	GCP	PLR		M	R	-	10	-	-	-	-	15	-	SALEABLE		N/A	N/A	N/A	N/A
MX150 ASSY RCP 2X8 BK A/6	334721765	A-BLACK	GCP	PLR		M	R	1	2	3	4	5	6	7	8	SALEABLE		N/A	N/A	N/A	N/A
MX150 ASSY RCP 2X8 BK A/6	334721765	A-BLACK	GCP	PLR		M	R	9	10	-	-	-	-	-	-	SALEABLE		N/A	N/A	N/A	N/A
MX150 ASSY RCP 2X8 BK A/3	334721766	A-BLACK	GCP	PLR		M	R	1	2	3	4	5	6	-	-	SALEABLE		N/A	N/A	N/A	N/A
MX150 ASSY RCP 2X8 BK A/3	334721766	A-BLACK	GCP	PLR		M	R	-	10	11	12	13	14	15	16	SALEABLE		N/A	N/A	N/A	N/A
MX150 ASSY RCP 2X8 DG C/16	334721767	C-DARK GRAY	GOO	PLR		M	R	-	-	-	-	-	-	-	-	SALEABLE		N/A	N/A	N/A	N/A
MX150 ASSY RCP 2X8 SG D/16	334721768	D-STONE GRAY	GOO	PLR		M	R	-	-	-	-	-	-	-	-	SALEABLE		N/A	N/A	N/A	N/A
MX150 ASSY RCP 2X8 CPA DG C/16	334721769	C-DARK GRAY	GOO	PLR	CPA	M	R	-	-	-	-	-	-	-	-	SALEABLE		N/A	N/A	N/A	N/A

ASSEMBLY DESCRIPTION	ASSEMBLY PART NUMBER	COMPONENT						BLOCKED TERMINALS								STATUS	COMMENT	OPTIONAL ATTACHMENTS SOLD SEPARATELY				
		THE PRESENCE OF AN ABBREVIATION INDICATES THE PRESENCE OF THAT COMPONENT						CAVITY WITH A NUMBER INDICATES BLOCKED TERMINAL POSITION CAVITY WITHOUT A NUMBER INDICATES OPEN TERMINAL POSITION										BACKSHELL WITH RIBS	BACKSHELL WITHOUT RIBS	90° ADAPTOR WITH RIBS	90° ADAPTOR WITHOUT RIBS	
		HOUSING KEY/COLOR	GROMMET CAP	PLR	CPA	MAT SEAL	RING SEAL															
MX150 ASSY RCP 2X8 CPA SG D/16	334721770	D-STONE GRAY	GCO	PLR	CPA	M	R	-	-	-	-	-	-	-	-	-	SALEABLE		N/A	N/A	N/A	N/A
MX150 ASSY RCP 2X8 LG B/2	334721771	B-LIGHT GRAY	GCP	PLR		M	R	1	2	3	4	5	6	7	8	SALEABLE		N/A	N/A	N/A	N/A	
MX150 ASSY RCP 2X8 LG B/3	334721772	B-LIGHT GRAY	GCP	PLR		M	R	1	2	3	4	5	6	7	8	SALEABLE		N/A	N/A	N/A	N/A	
MX150 ASSY RCP 2X8 CPA LG B/10	334721773	B-LIGHT GRAY	GCP	PLR	CPA	M	R	-	-	-	4	5	-	-	-	SALEABLE		N/A	N/A	N/A	N/A	
MX150 ASSY RCP 2X8 CPA LG B/9	334721774	B-LIGHT GRAY	GCP	PLR	CPA	M	R	-	-	-	4	5	-	-	8	SALEABLE		N/A	N/A	N/A	N/A	
MX150 ASSY RCP 2X8 CPA LG B/8	334721775	B-LIGHT GRAY	GCP	PLR	CPA	M	R	-	-	-	4	5	-	-	8	SALEABLE		N/A	N/A	N/A	N/A	
MX150 ASSY RCP 2X8 CPA LG B/10	334721776	B-LIGHT GRAY	GCP	PLR	CPA	M	R	-	-	-	4	5	-	-	8	SALEABLE		N/A	N/A	N/A	N/A	
MX150 ASSY RCP 2X8 CPA LG B/11	334721777	B-LIGHT GRAY	GCP	PLR	CPA	M	R	-	-	-	4	5	-	-	-	SALEABLE		N/A	N/A	N/A	N/A	
MX150 ASSY RCP 2X8 BK A/10	334721778	A-BLACK	GCP	PLR		M	R	-	-	3	4	-	-	-	-	SALEABLE		N/A	N/A	N/A	N/A	
MX150 ASSY RCP 2X8 BK A/7	334721779	A-BLACK	GCP	PLR		M	R	-	2	-	4	-	6	7	-	SALEABLE		N/A	N/A	N/A	N/A	
MX150 ASSY RCP 2X8 CPA BK A/13	334721780	A-BLACK	GCP	PLR	CPA	M	R	-	-	-	-	-	-	-	-	SALEABLE		N/A	N/A	N/A	N/A	
MX150 ASSY RCP 2X8 BK A/13	334721781	A-BLACK	GCP	PLR		M	R	-	-	-	4	5	-	7	-	SALEABLE		N/A	N/A	N/A	N/A	
MX150 ASSY RCP 2X8 CPA BK A/11	334721782	A-BLACK	GCP	PLR	CPA	M	R	-	-	-	-	-	-	-	-	SALEABLE		N/A	N/A	N/A	N/A	
MX150 ASSY RCP 2X8 BK A/4	334721783	A-BLACK	GCP	PLR		M	R	1	2	3	4	-	-	7	8	SALEABLE		N/A	N/A	N/A	N/A	
MX150 ASSY RCP 2X8 BK A/6	334721784	A-BLACK	GCP	PLR		M	R	1	2	3	4	-	-	-	8	SALEABLE		N/A	N/A	N/A	N/A	
MX150 ASSY RCP 2X8 BK A/9	334721785	A-BLACK	GCP	PLR		M	R	-	2	3	4	-	-	-	-	SALEABLE		N/A	N/A	N/A	N/A	
MX150 ASSY RCP 2X8 BK A/3	334721786	A-BLACK	GCP	PLR		M	R	-	2	3	4	5	6	7	8	SALEABLE		N/A	N/A	N/A	N/A	
MX150 ASSY RCP 2X8 BK A/10	334721787	A-BLACK	GCP	PLR		M	R	-	-	-	-	5	-	-	8	SALEABLE		N/A	N/A	N/A	N/A	
MX150 ASSY RCP 2X8 BK A/9	334721788	A-BLACK	GCP	PLR		M	R	-	-	3	-	5	-	-	8	SALEABLE		N/A	N/A	N/A	N/A	
MX150 ASSY RCP 2X8 BK A/11	334721789	A-BLACK	GCP	PLR		M	R	-	-	-	-	5	-	-	8	SALEABLE		N/A	N/A	N/A	N/A	
MX150 ASSY RCP 2X8 BK A/6	334721790	A-BLACK	GCP	PLR		M	R	-	-	3	4	5	-	-	8	SALEABLE		N/A	N/A	N/A	N/A	
MX150 ASSY RCP 2X8 BK A/10	334721791	A-BLACK	GCP	PLR		M	R	-	-	3	4	-	-	-	-	SALEABLE		N/A	N/A	N/A	N/A	
MX150 ASSY RCP 2X8 BK A/7	334721792	A-BLACK	GCP	PLR		M	R	1	-	3	-	5	-	7	8	SALEABLE		N/A	N/A	N/A	N/A	
MX150 ASSY RCP 2X8 BK A/12	334721793	A-BLACK	GCP	PLR		M	R	-	-	-	-	-	-	-	-	SALEABLE		N/A	N/A	N/A	N/A	
MX150 ASSY RCP 2X8 BK A/10	334721794	A-BLACK	GCP	PLR		M	R	-	2	-	4	-	6	7	8	SALEABLE		N/A	N/A	N/A	N/A	
MX150 ASSY RCP 2X8 CPA BK A/14	334721795	A-BLACK	GCP	PLR	CPA	M	R	-	-	-	-	-	-	-	-	SALEABLE		N/A	N/A	N/A	N/A	
MX150 ASSY RCP 2X8 BK A/8	334721796	A-BLACK	GCP	PLR		M	R	1	-	-	-	5	-	7	8	SALEABLE		N/A	N/A	N/A	N/A	

ASSEMBLY DESCRIPTION	ASSEMBLY PART NUMBER	COMPONENT						BLOCKED TERMINALS								STATUS	COMMENT	OPTIONAL ATTACHMENTS SOLD SEPARATELY											
		THE PRESENCE OF AN ABBREVIATION INDICATES THE PRESENCE OF THAT COMPONENT						CAVITY WITH A NUMBER INDICATES BLOCKED TERMINAL POSITION CAVITY WITHOUT A NUMBER INDICATES OPEN TERMINAL POSITION										BACKSHELL WITH RIBS	BACKSHELL WITHOUT RIBS	90° ADAPTOR WITH RIBS	90° ADAPTOR WITHOUT RIBS								
		HOUSING KEY/COLOR	GROMMET CAP	PLR	CPA	MAT SEAL	RING SEAL																						
MX150 ASSY RCP 2X8 CPA LG B/8	334721824	B-LIGHT GRAY	GCP	PLR	CPA	M	R	-	-	-	4	5	-	7	8	9	10	-	12	13	-	-	-	SALEABLE		N/A	N/A	N/A	N/A
MX150 ASSY RCP 2X8 CPA LG B/6	334721825	B-LIGHT GRAY	GCP	PLR	CPA	M	R	-	2	-	4	5	6	7	8	9	10	-	12	13	-	-	-	SALEABLE		N/A	N/A	N/A	N/A
MX150 ASSY RCP 2X8 BK A/5	334721826	A-BLACK	GCP	PLR		M	R	1	2	3	4	5	6	-	-	9	-	-	-	13	14	15	16	SALEABLE		N/A	N/A	N/A	N/A
MX150 ASSY RCP 2X8 BK A/2	334721827	A-BLACK	GCP	PLR		M	R	1	2	3	4	5	6	-	-	9	10	11	12	13	14	15	16	SALEABLE		N/A	N/A	N/A	N/A
MX150 ASSY RCP 2X8 BK A/10	334721828	A-BLACK	GCP	PLR		M	R	-	-	-	-	-	6	-	-	-	10	11	12	13	14	-	-	SALEABLE		N/A	N/A	N/A	N/A
MX150 ASSY RCP 2X8 BK A/5	334721829	A-BLACK	GCP	PLR		M	R	1	2	3	4	5	6	-	-	-	10	11	12	13	14	-	-	SALEABLE		N/A	N/A	N/A	N/A
MX150 ASSY RCP 2X8 BK A/8	334721830	A-BLACK	GCP	PLR		M	R	1	2	3	4	5	6	-	-	-	-	-	-	13	14	-	-	SALEABLE		N/A	N/A	N/A	N/A
MX150 ASSY RCP 2X8 BK A/7	334721831	A-BLACK	GCP	PLR		M	R	-	-	-	-	-	6	-	-	9	10	11	12	13	14	15	16	SALEABLE		N/A	N/A	N/A	N/A
MX150 ASSY RCP 2X8 BK A/13	334721832	A-BLACK	GCP	PLR		M	R	-	2	-	-	-	-	-	8	-	-	-	-	-	-	-	16	SALEABLE		N/A	N/A	N/A	N/A
MX150 ASSY RCP 2X8 BK A/7	334721833	A-BLACK	GCP	PLR		M	R	1	2	3	4	5	6	-	8	-	10	-	-	-	-	-	16	SALEABLE		N/A	N/A	N/A	N/A
MX150 ASSY RCP 2X8 BK A/5	334721834	A-BLACK	GCP	PLR		M	R	1	2	3	4	5	6	7	8	9	10	-	-	-	-	-	16	SALEABLE		N/A	N/A	N/A	N/A
MX150 ASSY RCP 2X8 BK A/4	334721835	A-BLACK	GCP	PLR		M	R	1	2	3	4	5	6	7	-	9	-	11	-	13	-	15	16	SALEABLE		N/A	N/A	N/A	N/A
MX150 ASSY RCP 2X8 LG B/8	334721836	B-LIGHT GRAY	GCP	PLR		M	R	-	-	3	4	5	6	-	-	-	10	11	12	13	-	-	-	SALEABLE		N/A	N/A	N/A	N/A
MX150 ASSY RCP 2X8 BK A/12	334721837	A-BLACK	GCP	PLR		M	R	-	-	-	-	-	-	-	-	-	-	11	12	13	14	-	-	SALEABLE		N/A	N/A	N/A	N/A
MX150 ASSY RCP 2X8 BK A/14	334721838	A-BLACK	GCP	PLR		M	R	-	-	-	-	-	-	-	-	-	-	11	-	-	14	-	-	SALEABLE		N/A	N/A	N/A	N/A
MX150 ASSY RCP 2X8 BK A/9	334721839	A-BLACK	GCP	PLR		M	R	1	-	3	-	-	-	-	-	-	-	11	12	13	-	15	16	SALEABLE		N/A	N/A	N/A	N/A
MX150 ASSY RCP 2X8 BK A/6	334721840	A-BLACK	GCP	PLR		M	R	1	-	3	-	-	-	-	8	9	-	11	12	13	14	15	16	SALEABLE		N/A	N/A	N/A	N/A
MX150 ASSY RCP 2X8 BK A/10	334721841	A-BLACK	GCP	PLR		M	R	1	2	-	-	5	6	7	8	-	-	-	-	-	-	-	-	SALEABLE		N/A	N/A	N/A	N/A
MX150 ASSY RCP 2X8 BK A/12	334721842	A-BLACK	GCP	PLR		M	R	-	-	3	4	-	-	-	-	-	-	11	12	-	-	-	-	SALEABLE		N/A	N/A	N/A	N/A
MX150 ASSY RCP 2X8 BK A/11	334721843	A-BLACK	GCP	PLR		M	R	-	-	-	-	-	-	-	-	9	-	-	-	13	14	15	16	SALEABLE		N/A	N/A	N/A	N/A
MX150 ASSY RCP 2X8 BK A/6	334721844	A-BLACK	GCP	PLR		M	R	-	-	3	4	-	-	-	-	9	10	11	12	13	14	15	16	SALEABLE		N/A	N/A	N/A	N/A
MX150 ASSY RCP 2X8 LG B/5	334721845	B-LIGHT GRAY	GCP	PLR		M	R	-	-	3	4	5	6	-	8	9	10	11	12	13	14	-	-	SALEABLE		N/A	N/A	N/A	N/A
MX150 ASSY RCP 2X8 BK A/12	334721846	A-BLACK	GCP	PLR		M	R	-	-	-	-	-	-	-	-	9	10	-	-	-	-	15	16	SALEABLE		N/A	N/A	N/A	N/A
MX150 ASSY RCP 2X8 BK A/14	334721847	A-BLACK	GCP	PLR		M	R	-	-	-	-	-	-	-	-	-	10	-	-	-	-	15	-	SALEABLE		N/A	N/A	N/A	N/A
MX150 ASSY RCP 2X8 BK A/2	334721848	A-BLACK	GCP	PLR		M	R	1	2	3	4	5	6	7	8	9	10	11	-	-	14	15	16	SALEABLE		N/A	N/A	N/A	N/A
MX150 ASSY RCP 2X8 BK A/11	334721849	A-BLACK	GCP	PLR		M	R	-	2	-	-	-	-	-	8	-	-	-	-	-	14	15	16	SALEABLE		N/A	N/A	N/A	N/A
MX150 ASSY RCP 2X8 BK A/8	334721850	A-BLACK	GCP	PLR		M	R	1	-	3	-	-	-	-	-	9	-	11	12	13	-	15	16	SALEABLE		N/A	N/A	N/A	N/A

ASSEMBLY DESCRIPTION	ASSEMBLY PART NUMBER	COMPONENT						BLOCKED TERMINALS								STATUS	COMMENT	OPTIONAL ATTACHMENTS SOLD SEPARATELY											
		THE PRESENCE OF AN ABBREVIATION INDICATES THE PRESENCE OF THAT COMPONENT						CAVITY WITH A NUMBER INDICATES BLOCKED TERMINAL POSITION CAVITY WITHOUT A NUMBER INDICATES OPEN TERMINAL POSITION										BACKSHELL WITH RIBS	BACKSHELL WITHOUT RIBS	90° ADAPTOR WITH RIBS	90° ADAPTOR WITHOUT RIBS								
		HOUSING KEY/COLOR	GROMMET CAP	PLR	CPA	MAT SEAL	RING SEAL	1	2	3	4	5	6	-	8			-	10	-	-	-	14	15	16				
MX150 ASSY RCP 2X8 BK A/5	334721851	A-BLACK	GCP	PLR		M	R	1	2	3	4	5	6	-	8	-	10	-	-	-	14	15	16	SALEABLE		N/A	N/A	N/A	N/A
MX150 ASSY RCP 2X8 BK A/3	334721852	A-BLACK	GCP	PLR		M	R	1	2	-	-	5	-	7	8	9	10	11	12	13	14	15	16	SALEABLE		N/A	N/A	N/A	N/A
MX150 ASSY RCP 2X8 BK A/5	334721853	A-BLACK	GCP	PLR		M	R	-	2	-	-	5	-	7	-	9	10	11	12	13	14	15	16	SALEABLE		N/A	N/A	N/A	N/A
MX150 ASSY RCP 2X8 BK A/11	334721854	A-BLACK	GCP	PLR		M	R	-	2	-	-	5	-	7	-	9	-	-	-	-	-	-	16	SALEABLE		N/A	N/A	N/A	N/A
MX150 ASSY RCP 2X8 BK A/13	334721855	A-BLACK	GCP	PLR		M	R	-	-	-	-	5	-	7	-	-	-	-	-	-	-	-	16	SALEABLE		N/A	N/A	N/A	N/A
MX150 ASSY RCP 2X8 BK A/12	334721856	A-BLACK	GCP	PLR		M	R	-	2	-	-	-	-	7	-	9	-	-	-	-	-	-	16	SALEABLE		N/A	N/A	N/A	N/A
MX150 ASSY RCP 2X8 BK A/14	334721857	A-BLACK	GCP	PLR		M	R	-	-	-	-	-	-	7	-	-	-	-	-	-	-	-	16	SALEABLE		N/A	N/A	N/A	N/A
MX150 ASSY RCP 2X8 BK A/6	334721858	A-BLACK	GCP	PLR		M	R	-	2	-	-	5	-	7	-	9	-	11	12	13	14	15	16	SALEABLE		N/A	N/A	N/A	N/A
MX150 ASSY RCP 2X8 BK A/9	334721859	A-BLACK	GCP	PLR		M	R	-	2	-	-	5	-	-	-	9	-	-	12	13	14	15	-	SALEABLE		N/A	N/A	N/A	N/A
MX150 ASSY RCP 2X8 BK A/13	334721860	A-BLACK	GCP	PLR		M	R	-	2	-	-	5	-	-	-	9	-	-	-	-	-	-	-	SALEABLE		N/A	N/A	N/A	N/A
MX150 ASSY RCP 2X8 BK A/14	334721861	A-BLACK	GCP	PLR		M	R	-	2	-	-	-	-	-	-	9	-	-	-	-	-	-	-	SALEABLE		N/A	N/A	N/A	N/A
MX150 ASSY RCP 2X8 BK A/13	334721862	A-BLACK	GCP	PLR		M	R	-	2	-	-	-	-	7	-	-	-	-	-	-	-	-	16	SALEABLE		N/A	N/A	N/A	N/A
MX150 ASSY RCP 2X8 BK A/7	334721863	A-BLACK	GCP	PLR		M	R	1	-	3	-	-	-	-	8	-	-	11	12	13	14	15	16	SALEABLE		N/A	N/A	N/A	N/A
MX150 ASSY RCP 2X8 BK A/9	334721864	A-BLACK	GCP	PLR		M	R	-	-	-	-	-	-	-	-	9	-	11	12	13	14	15	16	SALEABLE		N/A	N/A	N/A	N/A
MX150 ASSY RCP 2X8 BK A/7	334721865	A-BLACK	GCP	PLR		M	R	1	-	-	4	-	6	7	8	-	10	-	-	13	14	15	-	SALEABLE		N/A	N/A	N/A	N/A
MX150 ASSY RCP 2X8 CPA BK A/15	334721866	A-BLACK	GCP	PLR	CPA	M	R	-	-	-	-	5	-	-	-	-	-	-	-	-	-	-	-	SALEABLE		N/A	N/A	N/A	N/A
MX150 ASSY RCP 2X8 BK A/7	334721867	A-BLACK	GCP	PLR		M	R	-	2	-	-	5	-	7	-	9	-	-	12	13	14	15	16	SALEABLE		N/A	N/A	N/A	N/A
MX150 ASSY RCP 2X8 CPA BK A/2	334721868	A-BLACK	GCP	PLR	CPA	M	R	1	2	3	4	-	6	7	-	9	10	11	12	13	14	15	16	SALEABLE		N/A	N/A	N/A	N/A
MX150 ASSY RCP 2X8 BK A/6	334721869	A-BLACK	GCP	PLR		M	R	-	-	-	4	5	6	7	8	-	-	-	12	13	14	15	16	SALEABLE		N/A	N/A	N/A	N/A
MX150 ASSY RCP 2X8 BK A/8	334721870	A-BLACK	GCP	PLR		M	R	1	2	3	4	-	-	-	-	9	10	11	-	13	-	-	-	SALEABLE		N/A	N/A	N/A	N/A
MX150 ASSY RCP 2X8 BK A/3	334721871	A-BLACK	GCP	PLR		M	R	1	2	-	-	5	6	7	8	9	10	11	12	13	14	-	16	SALEABLE		N/A	N/A	N/A	N/A
MX150 ASSY RCP 2X8 BK A/7	334721872	A-BLACK	GCP	PLR		M	R	1	2	-	-	5	6	7	8	9	10	-	-	-	-	-	16	SALEABLE		N/A	N/A	N/A	N/A
MX150 ASSY RCP 2X8 BK A/7	334721873	A-BLACK	GCP	PLR		M	R	-	-	-	-	5	6	7	-	9	-	11	12	13	14	-	16	SALEABLE		N/A	N/A	N/A	N/A
MX150 ASSY RCP 2X8 BK A/11	334721874	A-BLACK	GCP	PLR		M	R	-	-	-	-	5	6	7	-	9	-	-	-	-	-	-	16	SALEABLE		N/A	N/A	N/A	N/A
MX150 ASSY RCP 2X8 BK A/7	334721875	A-BLACK	GCP	PLR		M	R	1	2	-	-	-	-	-	8	-	10	11	12	13	14	-	16	SALEABLE		N/A	N/A	N/A	N/A
MX150 ASSY RCP 2X8 BK A/11	334721876	A-BLACK	GCP	PLR		M	R	-	-	-	-	-	-	-	-	-	-	11	12	13	14	-	16	SALEABLE		N/A	N/A	N/A	N/A
MX150 ASSY RCP 2X8 BK A/11	334721877	A-BLACK	GCP	PLR		M	R	1	2	-	-	-	-	-	8	-	10	-	-	-	-	-	16	SALEABLE		N/A	N/A	N/A	N/A

ASSEMBLY DESCRIPTION	ASSEMBLY PART NUMBER	COMPONENT						BLOCKED TERMINALS								STATUS	COMMENT	OPTIONAL ATTACHMENTS SOLD SEPARATELY			
		THE PRESENCE OF AN ABBREVIATION INDICATES THE PRESENCE OF THAT COMPONENT						CAVITY WITH A NUMBER INDICATES BLOCKED TERMINAL POSITION CAVITY WITHOUT A NUMBER INDICATES OPEN TERMINAL POSITION										BACKSHELL WITH RIBS	BACKSHELL WITHOUT RIBS	90° ADAPTOR WITH RIBS	90° ADAPTOR WITHOUT RIBS
		HOUSING KEY/COLOR	GROMMET CAP	PLR	CPA	MAT SEAL	RING SEAL														
MX150 ASSY RCP 2X8 BK A/9	334721878	A-BLACK	GCP	PLR		M	R	-	-	3	-	5	-	7	-	SALEABLE		N/A	N/A	N/A	N/A
MX150 ASSY RCP 2X8 BK A/3	334721879	A-BLACK	GCP	PLR		M	R	1	2	3	4	5	-	-	8	SALEABLE		N/A	N/A	N/A	N/A
MX150 ASSY RCP 2X8 BK A/13	334721880	A-BLACK	GCP	PLR		M	R	-	-	-	-	-	-	-	-	SALEABLE		N/A	N/A	N/A	N/A
MX150 ASSY RCP 2X8 BK A/11	334721881	A-BLACK	GCP	PLR		M	R	-	2	-	-	-	-	-	-	SALEABLE		N/A	N/A	N/A	N/A
MX150 ASSY RCP 2X8 BK A/7	334721882	A-BLACK	GCP	PLR		M	R	1	-	-	4	5	6	-	8	SALEABLE		N/A	N/A	N/A	N/A
MX150 ASSY RCP 2X8 BK A/3	334721883	A-BLACK	GCP	PLR		M	R	1	2	-	4	5	6	-	8	SALEABLE		N/A	N/A	N/A	N/A
MX150 ASSY RCP 2X8 BK A/7	334721884	A-BLACK	GCP	PLR		M	R	-	-	-	4	5	-	-	8	SALEABLE		N/A	N/A	N/A	N/A
MX150 ASSY RCP 2X8 BK A/8	334721885	A-BLACK	GCP	PLR		M	R	-	-	-	-	-	-	7	8	SALEABLE		N/A	N/A	N/A	N/A
MX150 ASSY RCP 2X8 CPA YW A/16	334721886	A-YELLOW	GOO	PLR	CPA	M	R	-	-	-	-	-	-	-	-	SALEABLE		N/A	N/A	N/A	N/A
MX150 ASSY RCP 2X8 BK A/9	334721887	A-BLACK	GCP	PLR		M	R	1	-	-	4	5	-	-	-	SALEABLE		N/A	N/A	N/A	N/A
MX150 ASSY RCP 2X8 CPA BK A/12	334721888	A-BLACK	GCP	PLR	CPA	M	R	-	-	-	-	-	6	-	-	SALEABLE		N/A	N/A	N/A	N/A
MX150 ASSY RCP 2X8 BK A/14	334721889	A-BLACK	GCP	PLR		M	R	-	-	-	-	-	-	-	-	SALEABLE		N/A	N/A	N/A	N/A
MX150 ASSY RCP 2X8 CPA BK A/14	334721890	A-BLACK	GCP	PLR	CPA	M	R	-	-	-	-	5	-	-	8	SALEABLE		N/A	N/A	N/A	N/A
MX150 ASSY RCP 2X8 CPA BK A/8	334721891	A-BLACK	GCP	PLR	CPA	M	R	-	-	-	-	5	6	7	8	SALEABLE		N/A	N/A	N/A	N/A
MX150 ASSY RCP 2X8 BK A/7	334721894	A-BLACK	GCP	PLR		M	R	-	-	-	-	5	6	7	8	SALEABLE		N/A	N/A	N/A	N/A
MX150 ASSY RCP 2X8 BK A/9	334721895	A-BLACK	GCP	PLR		M	R	1	2	3	-	-	-	-	-	SALEABLE		N/A	N/A	N/A	N/A
MX150 ASSY RCP 2X8 BK A/13	334721896	A-BLACK	GCP	PLR		M	R	1	2	-	-	5	-	-	-	SALEABLE		N/A	N/A	N/A	N/A
MX150 ASSY RCP 2X8 BK A/13	334721897	A-BLACK	GCP	PLR		M	R	-	-	-	-	5	-	-	-	SALEABLE		N/A	N/A	N/A	N/A
MX150 ASSY RCP 2X8 BK A/11	334721898	A-BLACK	GCP	PLR		M	R	1	2	-	-	5	-	-	-	SALEABLE		N/A	N/A	N/A	N/A
MX150 ASSY RCP 2X8 BK A/7	334721899	A-BLACK	GCP	PLR		M	R	-	-	-	-	5	-	7	8	SALEABLE		N/A	N/A	N/A	N/A
MX150 ASSY RCP 2X8 BK A/5	334721900	A-BLACK	GCP	PLR		M	R	1	2	-	-	5	-	7	8	SALEABLE		N/A	N/A	N/A	N/A
MX150 ASSY RCP 2X8 BK A/13	334721901	A-BLACK	GCP	PLR		M	R	-	-	-	-	-	-	-	8	SALEABLE		N/A	N/A	N/A	N/A
MX150 ASSY RCP 2X8 BK A/15	334721902	A-BLACK	GCP	PLR		M	R	-	-	3	-	-	-	-	-	SALEABLE		N/A	N/A	N/A	N/A
MX150 ASSY RCP 2X8 BK A/7	334721903	A-BLACK	GCP	PLR		M	R	-	-	3	-	-	-	7	8	SALEABLE		N/A	N/A	N/A	N/A
MX150 ASSY RCP 2X8 BK A/11	334721904	A-BLACK	GCP	PLR		M	R	-	2	-	-	-	-	-	8	SALEABLE		N/A	N/A	N/A	N/A
MX150 ASSY RCP 2X8 BK A/9	334721905	A-BLACK	GCP	PLR		M	R	1	-	-	-	5	-	-	8	SALEABLE		N/A	N/A	N/A	N/A
MX150 ASSY RCP 2X8 BK A/11	334721906	A-BLACK	GCP	PLR		M	R	-	-	-	-	-	-	-	-	SALEABLE		N/A	N/A	N/A	N/A

ASSEMBLY DESCRIPTION	ASSEMBLY PART NUMBER	COMPONENT						BLOCKED TERMINALS								STATUS	COMMENT	OPTIONAL ATTACHMENTS SOLD SEPARATELY			
		THE PRESENCE OF AN ABBREVIATION INDICATES THE PRESENCE OF THAT COMPONENT						CAVITY WITH A NUMBER INDICATES BLOCKED TERMINAL POSITION CAVITY WITHOUT A NUMBER INDICATES OPEN TERMINAL POSITION										BACKSHELL WITH RIBS	BACKSHELL WITHOUT RIBS	90° ADAPTOR WITH RIBS	90° ADAPTOR WITHOUT RIBS
		HOUSING KEY/COLOR	GROMMET CAP	PLR	CPA	MAT SEAL	RING SEAL														
MX150 ASSY RCP 2X8 BK A/8	334721907	A-BLACK	GCP	PLR		M	R	1	-	-	4	5	6	-	8	SALEABLE		N/A	N/A	N/A	N/A
MX150 ASSY RCP 2X8 CPA BK A/12	334721908	A-BLACK	GCP	PLR	CPA	M	R	-	-	-	-	-	-	-	-	SALEABLE		N/A	N/A	N/A	N/A
MX150 ASSY RCP 2X8 CPA BK A/10	334721909	A-BLACK	GCP	PLR	CPA	M	R	1	-	3	-	5	6	-	-	SALEABLE		N/A	N/A	N/A	N/A
MX150 ASSY RCP 2X8 CPA BK A/12	334721910	A-BLACK	GCP	PLR	CPA	M	R	-	-	-	-	-	-	7	8	SALEABLE		N/A	N/A	N/A	N/A
MX150 ASSY RCP 2X8 BK A/5	334721911	A-BLACK	GCP	PLR		M	R	-	-	3	-	-	-	7	8	SALEABLE		N/A	N/A	N/A	N/A
MX150 ASSY RCP 2X8 BK A/13	334721912	A-BLACK	GCP	PLR		M	R	9	10	11	12	13	14	15	16	SALEABLE		N/A	N/A	N/A	N/A
MX150 ASSY RCP 2X8 BK A/7	334721913	A-BLACK	GCP	PLR		M	R	-	-	3	-	-	-	-	-	SALEABLE		N/A	N/A	N/A	N/A
MX150 ASSY RCP 2X8 BK A/13	334721914	A-BLACK	GCP	PLR		M	R	-	-	-	-	-	-	7	8	SALEABLE		N/A	N/A	N/A	N/A
MX150 ASSY RCP 2X8 CPA BK A/0	334721915	A-BLACK	GCP	PLR	CPA	M	R	9	10	11	12	13	14	15	16	SALEABLE		N/A	N/A	N/A	N/A
MX150 ASSY RCP 2X8 BK A/11	334721916	A-BLACK	GCP	PLR		M	R	1	-	-	-	5	-	-	-	SALEABLE		N/A	N/A	N/A	N/A
MX150 ASSY RCP 2X8 BK A/15	334721917	A-BLACK	GCP	PLR		M	R	-	-	11	-	13	-	15	-	SALEABLE		N/A	N/A	N/A	N/A
MX150 ASSY RCP 2X8 BK A/15	334721918	A-BLACK	GCP	PLR		M	R	-	10	-	-	-	-	-	-	SALEABLE		N/A	N/A	N/A	N/A
MX150 ASSY RCP 2X8 CPA BK A/10	334721919	A-BLACK	GCP	PLR	CPA	M	R	-	-	-	-	-	14	15	-	SALEABLE		N/A	N/A	N/A	N/A
MX150 ASSY RCP 2X8 CPA BK A/4	334721920	A-BLACK	GCP	PLR	CPA	M	R	1	2	-	-	5	6	7	8	SALEABLE		N/A	N/A	N/A	N/A
MX150 ASSY RCP 2X8 BK A/13	334721921	A-BLACK	GCP	PLR		M	R	9	10	11	12	-	14	15	-	SALEABLE		N/A	N/A	N/A	N/A
MX150 ASSY RCP 2X8 BK A/3	334721922	A-BLACK	GCP	PLR		M	R	-	-	3	-	-	-	-	-	SALEABLE		N/A	N/A	N/A	N/A
MX150 ASSY RCP 2X8 BK A/7	334721923	A-BLACK	GCP	PLR		M	R	1	2	-	4	5	-	7	8	SALEABLE		N/A	N/A	N/A	N/A
MX150 ASSY RCP 2X8 BK A/14	334721924	A-BLACK	GCP	PLR		M	R	9	-	-	-	-	-	15	16	SALEABLE		N/A	N/A	N/A	N/A
MX150 ASSY RCP 2X8 BK A/14	334721925	A-BLACK	GCP	PLR		M	R	-	-	-	-	-	-	-	8	SALEABLE		N/A	N/A	N/A	N/A
MX150 ASSY RCP 2X8 BK A/12	334721926	A-BLACK	GCP	PLR		M	R	-	-	3	-	-	6	-	-	SALEABLE		N/A	N/A	N/A	N/A
MX150 ASSY RCP 2X8 BK A/8	334721927	A-BLACK	GCP	PLR		M	R	-	-	-	-	13	14	-	-	SALEABLE		N/A	N/A	N/A	N/A
MX150 ASSY RCP 2X8 BK A/10	334721928	A-BLACK	GCP	PLR		M	R	9	-	-	-	-	-	15	16	SALEABLE		N/A	N/A	N/A	N/A
MX150 ASSY RCP 2X8 BK A/8	334721929	A-BLACK	GCP	PLR		M	R	-	-	-	-	-	6	7	8	SALEABLE		N/A	N/A	N/A	N/A
MX150 ASSY RCP 2X8 BK A/6	334721930	A-BLACK	GCP	PLR		M	R	-	-	-	-	-	-	-	8	SALEABLE		N/A	N/A	N/A	N/A
MX150 ASSY RCP 2X8 BK A/14	334721931	A-BLACK	GCP	PLR		M	R	1	2	3	4	5	-	-	-	SALEABLE		N/A	N/A	N/A	N/A
MX150 ASSY RCP 2X8 BK A/9	334721932	A-BLACK	GCP	PLR		M	R	9	10	11	12	13	-	-	-	SALEABLE		N/A	N/A	N/A	N/A
MX150 ASSY RCP 2X8 BK A/11	334721933	A-BLACK	GCP	PLR		M	R	1	-	-	-	-	-	-	-	SALEABLE		N/A	N/A	N/A	N/A

ASSEMBLY DESCRIPTION	ASSEMBLY PART NUMBER	COMPONENT						BLOCKED TERMINALS								STATUS	COMMENT	OPTIONAL ATTACHMENTS SOLD SEPARATELY												
		THE PRESENCE OF AN ABBREVIATION INDICATES THE PRESENCE OF THAT COMPONENT						CAVITY WITH A NUMBER INDICATES BLOCKED TERMINAL POSITION CAVITY WITHOUT A NUMBER INDICATES OPEN TERMINAL POSITION										BACKSHELL WITH RIBS	BACKSHELL WITHOUT RIBS	90° ADAPTOR WITH RIBS	90° ADAPTOR WITHOUT RIBS									
		HOUSING KEY/COLOR	GROMMET CAP	PLR	CPA	MAT SEAL	RING SEAL	1	2	3	4	5	6	7	8							9	10	11	12	13	14	15	16	
MX150 ASSY RCP 2X8 BK A/6	334721988	A-BLACK	GCP	PLR		M	R	-	2	-	-	-	6	7	-	9	10	11	-	13	14	15	16	SALEABLE		N/A	N/A	N/A	N/A	
MX150 ASSY RCP 2X8 BK A/14	334721989	A-BLACK	GCP	PLR		M	R	-	-	-	-	-	-	-	-	-	-	-	-	-	-	-	-	SALEABLE		N/A	N/A	N/A	N/A	
MX150 ASSY RCP 2X8 BK A/12	334721990	A-BLACK	GCP	PLR		M	R	-	-	-	-	-	-	-	-	-	-	-	-	-	-	-	-	SALEABLE		N/A	N/A	N/A	N/A	
MX150 ASSY RCP 2X8 BK A/15	334721991	A-BLACK	GCP	PLR		M	R	1	-	-	-	-	-	-	-	-	-	-	-	-	-	-	-	SALEABLE		N/A	N/A	N/A	N/A	
MX150 ASSY RCP 2X8 BK A/11	334721992	A-BLACK	GCP	PLR		M	R	-	-	-	-	-	6	-	-	-	-	-	-	-	-	-	-	SALEABLE		N/A	N/A	N/A	N/A	
MX150 ASSY RCP 2X8 BK A/9	334721993	A-BLACK	GCP	PLR		M	R	-	-	3	4	5	6	7	-	9	-	-	-	-	-	-	-	SALEABLE		N/A	N/A	N/A	N/A	
MX150 ASSY RCP 2X8 BK A/6	334721994	A-BLACK	GCP	PLR		M	R	-	2	-	4	5	6	-	-	9	10	-	12	13	14	-	16	SALEABLE		N/A	N/A	N/A	N/A	
MX150 ASSY RCP 2X8 BK A/5	334721995	A-BLACK	GCP	PLR		M	R	-	2	-	4	5	6	7	-	9	10	-	12	13	14	-	16	SALEABLE		N/A	N/A	N/A	N/A	
MX150 ASSY RCP 2X8 BK A/6	334721996	A-BLACK	GCP	PLR		M	R	1	2	-	-	-	6	7	8	9	10	-	-	-	14	15	16	SALEABLE		N/A	N/A	N/A	N/A	
MX150 ASSY RCP 2X8 BK A/8	334721997	A-BLACK	GCP	PLR		M	R	1	2	-	-	-	-	7	8	9	10	-	-	-	-	15	16	SALEABLE		N/A	N/A	N/A	N/A	
MX150 ASSY RCP 2X8 BK A/4	334721998	A-BLACK	GCP	PLR		M	R	-	-	3	4	5	6	7	8	-	-	-	-	-	-	-	-	SALEABLE		N/A	N/A	N/A	N/A	
MX150 ASSY RCP 2X8 BK A/12	334721999	A-BLACK	GCP	PLR		M	R	-	-	-	-	-	-	7	8	-	-	-	-	-	-	15	16	SALEABLE		N/A	N/A	N/A	N/A	
MX150 ASSY RCP 2X8 CS BK A/16	334723001	A-BLACK-CLIP	GCO	PLR		M	R	-	-	-	-	-	-	-	-	-	-	-	-	-	-	-	-	SALEABLE		34951-1611	34951-1621	34951-1631	34951-1641	
MX150 ASSY RCP 2X8 CSLG B/16	334723002	B-LIGHT GRAY-CLIP	GCO	PLR		M	R	-	-	-	-	-	-	-	-	-	-	-	-	-	-	-	-	SALEABLE		34951-1611	34951-1621	34951-1631	34951-1641	
MX150 ASSY RCP 2X8 CS DG C/16	334723003	C-DARK GRAY-CLIP	GCO	PLR		M	R	-	-	-	-	-	-	-	-	-	-	-	-	-	-	-	-	SALEABLE		34951-1611	34951-1621	34951-1631	34951-1641	
MX150 ASSY RCP 2X8 CS SG D/16	334723004	D-STONE GRAY-CLIP	GCO	PLR		M	R	-	-	-	-	-	-	-	-	-	-	-	-	-	-	-	-	SALEABLE		34951-1611	34951-1621	34951-1631	34951-1641	
MX150 ASSY RCP 2X8 CS CPA BK A/16	334723005	A-BLACK-CLIP	GCO	PLR	CPA	M	R	-	-	-	-	-	-	-	-	-	-	-	-	-	-	-	-	SALEABLE		34951-1611	34951-1621	34951-1631	34951-1641	
MX150 ASSY RCP 2X8 CS CPA LG B/16	334723006	B-LIGHT GRAY-CLIP	GCO	PLR	CPA	M	R	-	-	-	-	-	-	-	-	-	-	-	-	-	-	-	-	SALEABLE		34951-1611	34951-1621	34951-1631	34951-1641	
MX150 ASSY RCP 2X8 CS CPA DG C/16	334723007	C-DARK GRAY-CLIP	GCO	PLR	CPA	M	R	-	-	-	-	-	-	-	-	-	-	-	-	-	-	-	-	SALEABLE		34951-1611	34951-1621	34951-1631	34951-1641	
MX150 ASSY RCP 2X8 CS CPA SG D/16	334723008	D-STONE GRAY-CLIP	GCO	PLR	CPA	M	R	-	-	-	-	-	-	-	-	-	-	-	-	-	-	-	-	SALEABLE		34951-1611	34951-1621	34951-1631	34951-1641	
MX150 ASSY RCP 2X8 CS BK A/13	334723009	A-BLACK-CLIP	GCP	PLR		M	R	-	-	-	-	-	-	-	-	-	-	-	-	-	-	-	-	SALEABLE		34951-1611	34951-1621	34951-1631	34951-1641	
MX150 ASSY RCP 2X8 CS BK A/9	334723010	A-BLACK-CLIP	GCP	PLR		M	R	-	-	3	4	-	-	7	8	9	-	-	-	-	-	15	16	SALEABLE		34951-1611	34951-1621	34951-1631	34951-1641	
MX150 ASSY RCP 2X8 CS CPA BK A/11	334723011	A-BLACK-CLIP	GCP	PLR	CPA	M	R	-	-	3	4	-	-	-	-	-	-	-	-	-	-	14	15	16	SALEABLE		34951-1611	34951-1621	34951-1631	34951-1641
MX150 ASSY RCP 2X8 CS BK A/10	334723012	A-BLACK-CLIP	GCP	PLR		M	R	1	-	-	-	5	-	-	8	9	10	-	-	-	-	-	16	SALEABLE		34951-1611	34951-1621	34951-1631	34951-1641	
MX150 ASSY RCP 2X8 CS CPA BK A/12	334723013	A-BLACK-CLIP	GCP	PLR	CPA	M	R	-	-	3	-	-	-	-	-	-	-	-	-	-	-	14	15	16	SALEABLE		34951-1611	34951-1621	34951-1631	34951-1641
MX150 ASSY RCP 2X8 CS CPA DG C/15	334723014	C-DARK GRAY-CLIP	GCP	PLR	CPA	M	R	1	-	-	-	-	-	-	-	-	-	-	-	-	-	-	-	SALEABLE		34951-1611	34951-1621	34951-1631	34951-1641	
MX150 ASSY RCP 2X8 CS SG D/15	334723015	D-STONE GRAY-CLIP	GCP	PLR		M	R	1	-	-	-	-	-	-	-	-	-	-	-	-	-	-	-	SALEABLE		34951-1611	34951-1621	34951-1631	34951-1641	

ASSEMBLY DESCRIPTION	ASSEMBLY PART NUMBER	COMPONENT						BLOCKED TERMINALS								STATUS	COMMENT	OPTIONAL ATTACHMENTS SOLD SEPARATELY				
		THE PRESENCE OF AN ABBREVIATION INDICATES THE PRESENCE OF THAT COMPONENT						CAVITY WITH A NUMBER INDICATES BLOCKED TERMINAL POSITION CAVITY WITHOUT A NUMBER INDICATES OPEN TERMINAL POSITION										BACKSHELL WITH RIBS	BACKSHELL WITHOUT RIBS	90° ADAPTOR WITH RIBS	90° ADAPTOR WITHOUT RIBS	
		HOUSING KEY/COLOR	GROMMET CAP	PLR	CPA	MAT SEAL	RING SEAL															
MX150 ASSY RCP 2X8 CS DG C/15	334723016	C-DARK GRAY-CLIP	GCP	PLR		M	R	1	-	-	-	-	-	-	-	-	SALEABLE		34951-1611	34951-1621	34951-1631	34951-1641
MX150 ASSY RCP 2X8 CS CPA LG B/15	334723017	B-LIGHT GRAY-CLIP	GCP	PLR	CPA	M	R	1	-	-	-	-	-	-	-	-	SALEABLE		34951-1611	34951-1621	34951-1631	34951-1641
MX150 ASSY RCP 2X8 CSLG B/15	334723018	B-LIGHT GRAY-CLIP	GCP	PLR		M	R	1	-	-	-	-	-	-	-	-	SALEABLE		34951-1611	34951-1621	34951-1631	34951-1641
MX150 ASSY RCP 2X8 CS CPA SG D/15	334723019	D-STONE GRAY-CLIP	GCP	PLR	CPA	M	R	1	-	-	-	-	-	-	-	-	SALEABLE		34951-1611	34951-1621	34951-1631	34951-1641
MX150 ASSY RCP 2X8 CS BK A/15	334723020	A-BLACK-CLIP	GCP	PLR		M	R	-	-	-	-	-	-	-	-	16	SALEABLE		34951-1611	34951-1621	34951-1631	34951-1641
MX150 ASSY RCP 2X8 CSLG B/6	334723021	B-LIGHT GRAY-CLIP	GCP	PLR		M	R	1	2	-	4	5	6	7	-	-	SALEABLE		34951-1611	34951-1621	34951-1631	34951-1641
MX150 ASSY RCP 2X8 CS BK A/7	334723022	A-BLACK-CLIP	GCP	PLR		M	R	-	-	3	-	-	6	7	8	-	SALEABLE		34951-1611	34951-1621	34951-1631	34951-1641
MX150 ASSY RCP 2X8 CS BK A/13	334723023	A-BLACK-CLIP	GCP	PLR		M	R	-	10	11	-	-	14	15	16	-	SALEABLE		34951-1611	34951-1621	34951-1631	34951-1641
MX150 ASSY RCP 2X8 CSLG B/7	334723024	B-LIGHT GRAY-CLIP	GCP	PLR		M	R	-	2	-	4	5	6	7	-	-	SALEABLE		34951-1611	34951-1621	34951-1631	34951-1641
MX150 ASSY RCP 2X8 CS BK A/13	334723025	A-BLACK-CLIP	GCP	PLR		M	R	-	-	-	-	-	6	-	-	-	SALEABLE		34951-1611	34951-1621	34951-1631	34951-1641
MX150 ASSY RCP 2X8 CSLG B/4	334723026	B-LIGHT GRAY-CLIP	GCP	PLR		M	R	1	2	-	4	5	6	7	-	-	SALEABLE		34951-1611	34951-1621	34951-1631	34951-1641
MX150 ASSY RCP 2X8 CSLG B/2	334723027	B-LIGHT GRAY-CLIP	GCP	PLR		M	R	1	2	3	4	5	6	7	8	-	SALEABLE		34951-1611	34951-1621	34951-1631	34951-1641
MX150 ASSY RCP 2X8 CSLG B/10	334723028	B-LIGHT GRAY-CLIP	GCP	PLR		M	R	9	10	11	-	-	14	15	16	-	SALEABLE		34951-1611	34951-1621	34951-1631	34951-1641
MX150 ASSY RCP 2X8 CSLG B/14	334723029	B-LIGHT GRAY-CLIP	GCP	PLR		M	R	-	2	-	4	5	6	-	-	-	SALEABLE		34951-1611	34951-1621	34951-1631	34951-1641
MX150 ASSY RCP 2X8 CSLG B/0	334723030	B-LIGHT GRAY-CLIP	GCP	PLR		M	R	-	-	-	-	-	-	-	-	-	SALEABLE		34951-1611	34951-1621	34951-1631	34951-1641
MX150 ASSY RCP 2X8 CS CPA BK A/11	334723031	A-BLACK-CLIP	GCP	PLR	CPA	M	R	1	2	3	4	5	6	7	8	-	SALEABLE		34951-1611	34951-1621	34951-1631	34951-1641
MX150 ASSY RCP 2X8 CS CPA BK A/13	334723032	A-BLACK-CLIP	GCP	PLR	CPA	M	R	9	10	11	12	13	14	15	16	-	SALEABLE		34951-1611	34951-1621	34951-1631	34951-1641
MX150 ASSY RCP 2X8 CS BK A/15	334723033	A-BLACK-CLIP	GCP	PLR		M	R	-	-	-	-	5	-	-	-	-	SALEABLE		34951-1611	34951-1621	34951-1631	34951-1641
MX150 ASSY RCP 2X8 CS BK A/10	334723034	A-BLACK-CLIP	GCP	PLR		M	R	-	-	-	-	-	-	-	-	8	SALEABLE		34951-1611	34951-1621	34951-1631	34951-1641
MX150 ASSY RCP 2X8 CS BK A/9	334723035	A-BLACK-CLIP	GCP	PLR		M	R	1	2	3	-	-	-	-	8	-	SALEABLE		34951-1611	34951-1621	34951-1631	34951-1641
MX150 ASSY RCP 2X8 CS BK A/12	334723036	A-BLACK-CLIP	GCP	PLR		M	R	9	-	-	-	-	-	-	16	-	SALEABLE		34951-1611	34951-1621	34951-1631	34951-1641
MX150 ASSY RCP 2X8 CS BK A/13	334723037	A-BLACK-CLIP	GCP	PLR		M	R	-	-	-	4	5	6	-	8	-	SALEABLE		34951-1611	34951-1621	34951-1631	34951-1641
MX150 ASSY RCP 2X8 CS CPA LG B/11	334723038	B-LIGHT GRAY-CLIP	GCP	PLR	CPA	M	R	-	-	-	-	-	13	-	15	-	SALEABLE		34951-1611	34951-1621	34951-1631	34951-1641
MX150 ASSY RCP 2X8 CPA BK A/3	334728001	A-BLACK	GCP	PLR	CPA	M	R	-	-	-	-	-	6	7	8	-	SALEABLE		N/A	N/A	N/A	N/A
MX150 ASSY RCP 2X8 CPA BK A/11	334728002	A-BLACK	GCP	PLR	CPA	M	R	1	2	3	4	5	6	-	-	-	SALEABLE		N/A	N/A	N/A	N/A
MX150 ASSY RCP 2X8 CPA BK A/8	334728003	A-BLACK	GCP	PLR	CPA	M	R	-	10	-	-	13	14	15	16	-	SALEABLE		N/A	N/A	N/A	N/A
MX150 ASSY RCP 2X8 BK A/10	334728004	A-BLACK	GCP	PLR		M	R	1	2	3	4	5	6	-	-	-	SALEABLE		N/A	N/A	N/A	N/A



MX150 RECEPTACLE 2X8 SEALED ASSEMBLY MAT SEAL
BOM AND PIN OUT SHEET

ASSEMBLY DESCRIPTION	ASSEMBLY PART NUMBER	COMPONENT						BLOCKED TERMINALS								STATUS	COMMENT	OPTIONAL ATTACHMENTS SOLD SEPARATELY			
		THE PRESENCE OF AN ABBREVIATION INDICATES THE PRESENCE OF THAT COMPONENT						CAVITY WITH A NUMBER INDICATES BLOCKED TERMINAL POSITION CAVITY WITHOUT A NUMBER INDICATES OPEN TERMINAL POSITION										BACKSHELL WITH RIBS	BACKSHELL WITHOUT RIBS	90° ADAPTOR WITH RIBS	90° ADAPTOR WITHOUT RIBS
		HOUSING KEY/COLOR	GROMMET CAP	PLR	CPA	MAT SEAL	RING SEAL	1	2	3	4	5	6	7	8						
MX150 ASSY RCP 2X8 BK A/6	334728005	A-BLACK	GCP	PLR		M	R	1	2	3	4	5	6	7	8	SALEABLE		N/A	N/A	N/A	N/A
MX150 ASSY RCP 2X8 BK A/9	334728006	A-BLACK	GCP	PLR		M	R	1	-	-	4	5	6	7	8	SALEABLE		N/A	N/A	N/A	N/A
MX150 ASSY RCP 2X8 BK A/11	334728007	A-BLACK	GCP	PLR		M	R	1	-	-	4	5	6	7	-	SALEABLE		N/A	N/A	N/A	N/A
MX150 ASSY RCP 2X8 CPA BK A/8	334728008	A-BLACK	GCP	PLR	CPA	M	R	1	2	3	4	5	6	-	-	SALEABLE		N/A	N/A	N/A	N/A
MX150 ASSY RCP 2X8 CPA BK A/11	334728009	A-BLACK	GCP	PLR	CPA	M	R	-	-	-	-	-	-	7	8	SALEABLE		N/A	N/A	N/A	N/A
MX150 ASSY RCP 2X8 CPA BK A/3	334728010	A-BLACK	GCP	PLR	CPA	M	R	1	2	3	4	5	6	7	8	SALEABLE		N/A	N/A	N/A	N/A
MX150 ASSY RCP 2X8 CPA BK A/13	334728011	A-BLACK	GCP	PLR	CPA	M	R	-	-	-	4	-	-	-	-	SALEABLE		N/A	N/A	N/A	N/A
MX150 ASSY RCP 2X8 CPA BK A/12	334728012	A-BLACK	GCP	PLR	CPA	M	R	-	-	-	4	-	-	-	-	SALEABLE		N/A	N/A	N/A	N/A
MX150 ASSY RCP 2X8 CPA BK A/8	334728013	A-BLACK	GCP	PLR	CPA	M	R	1	2	-	4	-	6	7	8	SALEABLE		N/A	N/A	N/A	N/A
MX150 ASSY RCP 2X8 CPA BK A/10	334728014	A-BLACK	GCP	PLR	CPA	M	R	-	-	3	4	-	-	-	-	SALEABLE		N/A	N/A	N/A	N/A
MX150 ASSY RCP 2X8 BK A/13	334728015	A-BLACK	GCP	PLR		M	R	1	-	-	-	-	-	-	8	SALEABLE		N/A	N/A	N/A	N/A
MX150 ASSY RCP 2X8 BK A/11	334728016	A-BLACK	GCP	PLR		M	R	-	-	-	-	-	-	-	-	SALEABLE		N/A	N/A	N/A	N/A
MX150 ASSY RCP 2X8 BK A/5	334728017	A-BLACK	GCP	PLR		M	R	1	2	-	4	5	6	7	8	SALEABLE		N/A	N/A	N/A	N/A
MX150 ASSY RCP 2X8 BK A/10	334728018	A-BLACK	GCP	PLR		M	R	1	-	-	-	5	6	-	-	SALEABLE		N/A	N/A	N/A	N/A
MX150 ASSY RCP 2X8 BK A/7	334728019	A-BLACK	GCP	PLR		M	R	-	-	-	4	5	-	7	8	SALEABLE		N/A	N/A	N/A	N/A
MX150 ASSY RCP 2X8 BK A/10	334728020	A-BLACK	GCP	PLR		M	R	-	-	-	-	-	-	7	8	SALEABLE		N/A	N/A	N/A	N/A
MX150 ASSY RCP 2X8 CPA BK A/15	334728021	A-BLACK	GCP	PLR	CPA	M	R	-	-	-	-	-	-	-	-	SALEABLE		N/A	N/A	N/A	N/A
MX150 ASSY RCP 2X8 CPA BK A/9	334728022	A-BLACK	GCP	PLR	CPA	M	R	-	-	-	-	-	-	-	-	SALEABLE		N/A	N/A	N/A	N/A
MX150 ASSY RCP 2X8 CPA BK A/11	334728023	A-BLACK	GCP	PLR	CPA	M	R	-	-	-	-	-	-	-	-	SALEABLE		N/A	N/A	N/A	N/A
MX150 ASSY RCP 2X8 CPA BK A/13	334728024	A-BLACK	GCP	PLR	CPA	M	R	-	-	-	-	-	-	-	-	SALEABLE		N/A	N/A	N/A	N/A
MX150 ASSY RCP 2X8 CPA BK A/6	334728025	A-BLACK	GCP	PLR	CPA	M	R	-	-	-	-	-	-	7	8	SALEABLE		N/A	N/A	N/A	N/A
MX150 ASSY RCP 2X8 CPA BK A/10	334728026	A-BLACK	GCP	PLR	CPA	M	R	-	-	-	-	-	-	-	-	SALEABLE		N/A	N/A	N/A	N/A
MX150 ASSY RCP 2X8 CPA BK A/12	334728027	A-BLACK	GCP	PLR	CPA	M	R	-	-	-	-	-	-	-	-	SALEABLE		N/A	N/A	N/A	N/A
MX150 ASSY RCP 2X8 CPA BK A/4	334728028	A-BLACK	GCP	PLR	CPA	M	R	1	2	3	4	5	6	-	-	SALEABLE		N/A	N/A	N/A	N/A
MX150 ASSY RCP 2X8 BK A/8	334728029	A-BLACK	GCP	PLR		M	R	1	2	-	4	-	6	7	8	SALEABLE		N/A	N/A	N/A	N/A
MX150 ASSY RCP 2X8 BK A/9	334728030	A-BLACK	GCP	PLR		M	R	-	2	-	4	-	6	7	8	SALEABLE		N/A	N/A	N/A	N/A
MX150 ASSY RCP 2X8 BK A/8	334728031	A-BLACK	GCP	PLR		M	R	-	-	3	-	-	-	-	8	SALEABLE		N/A	N/A	N/A	N/A

ASSEMBLY DESCRIPTION	ASSEMBLY PART NUMBER	COMPONENT						BLOCKED TERMINALS								STATUS	COMMENT	OPTIONAL ATTACHMENTS SOLD SEPARATELY			
		THE PRESENCE OF AN ABBREVIATION INDICATES THE PRESENCE OF THAT COMPONENT						CAVITY WITH A NUMBER INDICATES BLOCKED TERMINAL POSITION CAVITY WITHOUT A NUMBER INDICATES OPEN TERMINAL POSITION										BACKSHELL WITH RIBS	BACKSHELL WITHOUT RIBS	90° ADAPTOR WITH RIBS	90° ADAPTOR WITHOUT RIBS
		HOUSING KEY/COLOR	GROMMET CAP	PLR	CPA	MAT SEAL	RING SEAL	1	2	3	4	5	6	7	8						
MX150 ASSY RCP 2X8 BK A/2	334728032	A-BLACK	GCP	PLR		M	R	1	2	3	4	5	6	7	8	SALEABLE		N/A	N/A	N/A	N/A
								-	10	11	12	13	14	15	-						
MX150 ASSY RCP 2X8 CPA BK A/8	334728033	A-BLACK	GCP	PLR	CPA	M	R	-	-	-	-	-	-	7	8	SALEABLE		N/A	N/A	N/A	N/A
								9	10	-	-	13	14	15	16						
MX150 ASSY RCP 2X8 BK A/3	334728034	A-BLACK	GCP	PLR		M	R	1	2	3	4	5	6	7	8	SALEABLE		N/A	N/A	N/A	N/A
								9	10	11	-	-	-	15	16						
MX150 ASSY RCP 2X8 BK A/10	334728035	A-BLACK	GCP	PLR		M	R	-	-	3	-	5	-	-	8	SALEABLE		N/A	N/A	N/A	N/A
								-	10	11	-	-	14	-	-						
MX150 ASSY RCP 2X8 BK A/12	334728036	A-BLACK	GCP	PLR		M	R	-	-	-	-	-	-	-	-	SALEABLE		N/A	N/A	N/A	N/A
								-	10	11	-	13	-	-	16						
MX150 ASSY RCP 2X8 CPA BK A/14	334728037	A-BLACK	GCP	PLR	CPA	M	R	-	-	-	-	-	-	7	-	SALEABLE		N/A	N/A	N/A	N/A
								-	-	-	-	-	-	-	16						
MX150 ASSY RCP 2X8 BK A/7	334728038	A-BLACK	GCP	PLR		M	R	-	2	-	-	-	-	7	-	SALEABLE		N/A	N/A	N/A	N/A
								9	10	11	12	13	14	-	16						
MX150 ASSY RCP 2X8 BK A/5	334728039	A-BLACK	GCP	PLR		M	R	1	2	-	-	-	-	7	8	SALEABLE		N/A	N/A	N/A	N/A
								9	10	11	12	13	14	-	16						
MX150 ASSY RCP 2X8 BK A/9	334728040	A-BLACK	GCP	PLR		M	R	-	2	-	-	-	-	7	8	SALEABLE		N/A	N/A	N/A	N/A
								-	-	-	-	13	14	15	16						
MX150 ASSY RCP 2X8 LG B/11	334728041	B-LIGHT GRAY	GCP	PLR		M	R	-	-	-	-	5	-	-	-	SALEABLE		N/A	N/A	N/A	N/A
								-	-	-	-	13	14	15	16						
MX150 ASSY RCP 2X8 BK A/7	334728042	A-BLACK	GCP	PLR		M	R	-	-	-	-	5	-	-	-	SALEABLE		N/A	N/A	N/A	N/A
								9	10	11	12	13	14	15	16						
MX150 ASSY RCP 2X8 BK A/10	334728043	A-BLACK	GCP	PLR		M	R	-	-	-	-	-	-	-	-	SALEABLE		N/A	N/A	N/A	N/A
								-	10	11	12	13	14	-	16						
MX150 ASSY RCP 2X8 BK A/9	334728044	A-BLACK	GCP	PLR		M	R	-	-	-	-	-	6	7	-	SALEABLE		N/A	N/A	N/A	N/A
								9	10	-	-	13	14	15	-						
MX150 ASSY RCP 2X8 BK A/4	334728045	A-BLACK	GCP	PLR		M	R	1	2	3	4	5	6	7	-	SALEABLE		N/A	N/A	N/A	N/A
								9	-	-	12	13	-	15	16						
MX150 ASSY RCP 2X8 BK A/8	334728046	A-BLACK	GCP	PLR		M	R	1	2	3	-	-	-	7	-	SALEABLE		N/A	N/A	N/A	N/A
								9	-	-	12	13	-	-	16						
MX150 ASSY RCP 2X8 BK A/11	334728047	A-BLACK	GCP	PLR		M	R	-	2	-	-	5	-	-	-	SALEABLE		N/A	N/A	N/A	N/A
								9	-	-	12	13	-	-	-						
MX150 ASSY RCP 2X8 BK A/11	334728048	A-BLACK	GCP	PLR		M	R	-	-	-	4	-	6	7	-	SALEABLE		N/A	N/A	N/A	N/A
								9	-	-	-	-	-	-	16						
MX150 ASSY RCP 2X8 BK A/14	334728049	A-BLACK	GCP	PLR		M	R	-	-	-	4	-	-	-	-	SALEABLE		N/A	N/A	N/A	N/A
								-	-	-	-	-	-	-	16						
MX150 ASSY RCP 2X8 BK A/13	334728050	A-BLACK	GCP	PLR		M	R	-	-	-	4	-	-	-	-	SALEABLE		N/A	N/A	N/A	N/A
								9	-	-	-	-	-	-	16						
MX150 ASSY RCP 2X8 BK A/9	334728051	A-BLACK	GCP	PLR		M	R	-	-	-	-	-	-	7	-	SALEABLE		N/A	N/A	N/A	N/A
								9	10	-	-	13	14	15	16						
MX150 ASSY RCP 2X8 BK A/10	334728052	A-BLACK	GCP	PLR		M	R	-	-	-	-	-	-	7	-	SALEABLE		N/A	N/A	N/A	N/A
								9	10	-	-	13	-	15	16						
MX150 ASSY RCP 2X8 BK A/8	334728053	A-BLACK	GCP	PLR		M	R	-	-	-	-	-	-	7	-	SALEABLE		N/A	N/A	N/A	N/A
								9	10	11	-	13	14	15	16						
MX150 ASSY RCP 2X8 CPA BK A/8	334728054	A-BLACK	GCP	PLR	CPA	M	R	-	-	-	-	-	-	7	8	SALEABLE		N/A	N/A	N/A	N/A
								9	-	11	12	-	14	15	16						
MX150 ASSY RCP 2X8 CPA BK A/14	334728055	A-BLACK	GCP	PLR	CPA	M	R	1	2	-	-	-	-	-	-	SALEABLE		N/A	N/A	N/A	N/A
								-	-	-	-	-	-	-	-						
MX150 ASSY RCP 2X8 CPA LG B/11	334728056	B-LIGHT GRAY	GCP	PLR	CPA	M	R	-	-	-	-	-	-	7	8	SALEABLE		N/A	N/A	N/A	N/A
								-	-	-	-	-	14	15	16						
MX150 ASSY RCP 2X8 CPA BK A/14	334728057	A-BLACK	GCP	PLR	CPA	M	R	-	-	-	4	-	-	-	-	SALEABLE		N/A	N/A	N/A	N/A
								9	-	-	-	-	-	-	-						
MX150 ASSY RCP 2X8 BK A/6	334728058	A-BLACK	GCP	PLR		M	R	1	2	3	-	-	6	7	8	SALEABLE		N/A	N/A	N/A	N/A
								-	10	11	-	-	14	-	16						

ASSEMBLY DESCRIPTION	ASSEMBLY PART NUMBER	COMPONENT						BLOCKED TERMINALS								STATUS	COMMENT	OPTIONAL ATTACHMENTS SOLD SEPARATELY			
		THE PRESENCE OF AN ABBREVIATION INDICATES THE PRESENCE OF THAT COMPONENT						CAVITY WITH A NUMBER INDICATES BLOCKED TERMINAL POSITION CAVITY WITHOUT A NUMBER INDICATES OPEN TERMINAL POSITION										BACKSHELL WITH RIBS	BACKSHELL WITHOUT RIBS	90° ADAPTOR WITH RIBS	90° ADAPTOR WITHOUT RIBS
		HOUSING KEY/COLOR	GROMMET CAP	PLR	CPA	MAT SEAL	RING SEAL	1	2	3	4	5	6	7	8						
MX150 ASSY RCP 2X8 BK A/9	334728059	A-BLACK	GCP	PLR		M	R	-	2	3	-	-	6	7	-	SALEABLE		N/A	N/A	N/A	N/A
MX150 ASSY RCP 2X8 BK A/11	334728060	A-BLACK	GCP	PLR		M	R	-	2	-	-	-	6	7	-	SALEABLE		N/A	N/A	N/A	N/A
MX150 ASSY RCP 2X8 BK A/9	334728061	A-BLACK	GCP	PLR		M	R	1	2	-	-	-	6	7	-	SALEABLE		N/A	N/A	N/A	N/A
MX150 ASSY RCP 2X8 BK A/12	334728062	A-BLACK	GCP	PLR		M	R	-	10	-	-	-	14	-	16	SALEABLE		N/A	N/A	N/A	N/A
MX150 ASSY RCP 2X8 BK A/12	334728063	A-BLACK	GCP	PLR		M	R	-	-	-	-	-	6	-	8	SALEABLE		N/A	N/A	N/A	N/A
MX150 ASSY RCP 2X8 BK A/12	334728063	A-BLACK	GCP	PLR		M	R	-	-	-	-	-	-	15	16	SALEABLE		N/A	N/A	N/A	N/A
MX150 ASSY RCP 2X8 BK A/8	334728064	A-BLACK	GCP	PLR		M	R	-	-	-	4	-	-	-	8	SALEABLE		N/A	N/A	N/A	N/A
MX150 ASSY RCP 2X8 BK A/10	334728065	A-BLACK	GCP	PLR		M	R	9	10	-	-	13	14	15	16	SALEABLE		N/A	N/A	N/A	N/A
MX150 ASSY RCP 2X8 BK A/9	334728066	A-BLACK	GCP	PLR		M	R	-	-	-	4	-	6	-	8	SALEABLE		N/A	N/A	N/A	N/A
MX150 ASSY RCP 2X8 BK A/12	334728067	A-BLACK	GCP	PLR		M	R	-	-	-	-	-	-	-	8	SALEABLE		N/A	N/A	N/A	N/A
MX150 ASSY RCP 2X8 BK A/10	334728068	A-BLACK	GCP	PLR		M	R	-	-	-	-	5	-	-	8	SALEABLE		N/A	N/A	N/A	N/A
MX150 ASSY RCP 2X8 BK A/11	334728069	A-BLACK	GCP	PLR		M	R	-	10	11	-	-	14	15	-	SALEABLE		N/A	N/A	N/A	N/A
MX150 ASSY RCP 2X8 BK A/13	334728070	A-BLACK	GCP	PLR		M	R	-	-	3	-	-	6	-	-	SALEABLE		N/A	N/A	N/A	N/A
MX150 ASSY RCP 2X8 BK A/14	334728071	A-BLACK	GCP	PLR		M	R	9	-	11	-	-	14	-	-	SALEABLE		N/A	N/A	N/A	N/A
MX150 ASSY RCP 2X8 BK A/15	334728072	A-BLACK	GCP	PLR		M	R	-	-	-	4	-	-	-	-	SALEABLE		N/A	N/A	N/A	N/A
MX150 ASSY RCP 2X8 BK A/14	334728073	A-BLACK	GCP	PLR		M	R	-	-	3	-	-	-	-	-	SALEABLE		N/A	N/A	N/A	N/A
MX150 ASSY RCP 2X8 BK A/15	334728074	A-BLACK	GCP	PLR		M	R	9	-	-	-	-	-	-	-	SALEABLE		N/A	N/A	N/A	N/A
MX150 ASSY RCP 2X8 BK A/14	334728075	A-BLACK	GCP	PLR		M	R	-	-	11	-	-	-	-	-	SALEABLE		N/A	N/A	N/A	N/A
MX150 ASSY RCP 2X8 BK A/9	334728076	A-BLACK	GCP	PLR		M	R	-	-	-	-	-	-	7	-	SALEABLE		N/A	N/A	N/A	N/A
MX150 ASSY RCP 2X8 BK A/8	334728077	A-BLACK	GCP	PLR		M	R	-	10	11	-	13	14	15	16	SALEABLE		N/A	N/A	N/A	N/A
MX150 ASSY RCP 2X8 BK A/10	334728078	A-BLACK	GCP	PLR		M	R	-	-	3	-	-	-	-	-	SALEABLE		N/A	N/A	N/A	N/A
MX150 ASSY RCP 2X8 BK A/8	334728079	A-BLACK	GCP	PLR		M	R	9	10	11	-	13	-	15	16	SALEABLE		N/A	N/A	N/A	N/A
MX150 ASSY RCP 2X8 BK A/2	334728080	A-BLACK	GCP	PLR		M	R	1	2	3	4	5	6	7	8	SALEABLE		N/A	N/A	N/A	N/A
MX150 ASSY RCP 2X8 BK A/6	334728081	A-BLACK	GCP	PLR		M	R	9	10	11	12	13	-	15	16	SALEABLE		N/A	N/A	N/A	N/A
MX150 ASSY RCP 2X8 BK A/7	334728082	A-BLACK	GCP	PLR		M	R	1	-	-	-	-	6	7	-	SALEABLE		N/A	N/A	N/A	N/A
MX150 ASSY RCP 2X8 BK A/6	334728083	A-BLACK	GCP	PLR		M	R	9	10	11	12	13	-	15	16	SALEABLE		N/A	N/A	N/A	N/A
MX150 ASSY RCP 2X8 BK A/7	334728084	A-BLACK	GCP	PLR		M	R	-	2	-	-	5	-	-	-	SALEABLE		N/A	N/A	N/A	N/A
MX150 ASSY RCP 2X8 BK A/4	334728085	A-BLACK	GCP	PLR		M	R	-	10	11	12	13	14	15	16	SALEABLE		N/A	N/A	N/A	N/A

ASSEMBLY DESCRIPTION	ASSEMBLY PART NUMBER	COMPONENT						BLOCKED TERMINALS								STATUS	COMMENT	OPTIONAL ATTACHMENTS SOLD SEPARATELY											
		THE PRESENCE OF AN ABBREVIATION INDICATES THE PRESENCE OF THAT COMPONENT						CAVITY WITH A NUMBER INDICATES BLOCKED TERMINAL POSITION CAVITY WITHOUT A NUMBER INDICATES OPEN TERMINAL POSITION										BACKSHELL WITH RIBS	BACKSHELL WITHOUT RIBS	90° ADAPTOR WITH RIBS	90° ADAPTOR WITHOUT RIBS								
		HOUSING KEY/COLOR	GROMMET CAP	PLR	CPA	MAT SEAL	RING SEAL	1	2	3	4	5	6	7	8							9	10	11	12	13	14	15	16
MX150 ASSY RCP 2X8 BK A/10	334728086	A-BLACK	GCP	PLR		M	R	1	-	-	-	-	-	-	-	9	-	11	-	13	-	15	16	SALEABLE		N/A	N/A	N/A	N/A
MX150 ASSY RCP 2X8 BK A/9	334728087	A-BLACK	GCP	PLR		M	R	1	-	-	-	-	-	-	-	9	-	11	12	-	14	15	16	SALEABLE		N/A	N/A	N/A	N/A
MX150 ASSY RCP 2X8 BK A/8	334728088	A-BLACK	GCP	PLR		M	R	-	-	-	-	-	-	-	8	9	10	11	12	-	14	15	16	SALEABLE		N/A	N/A	N/A	N/A
MX150 ASSY RCP 2X8 BK A/11	334728089	A-BLACK	GCP	PLR		M	R	-	-	-	-	-	-	-	-	-	-	-	-	-	-	-	-	SALEABLE		N/A	N/A	N/A	N/A
MX150 ASSY RCP 2X8 BK A/10	334728090	A-BLACK	GCP	PLR		M	R	-	-	-	-	-	-	-	-	9	10	11	12	-	14	15	-	SALEABLE		N/A	N/A	N/A	N/A
MX150 ASSY RCP 2X8 BK A/15	334728091	A-BLACK	GCP	PLR		M	R	-	-	-	-	-	-	-	-	-	-	-	-	-	-	-	-	SALEABLE		N/A	N/A	N/A	N/A
MX150 ASSY RCP 2X8 BK A/13	334728092	A-BLACK	GCP	PLR		M	R	-	-	-	-	5	6	-	-	-	-	-	-	-	-	-	-	SALEABLE		N/A	N/A	N/A	N/A
MX150 ASSY RCP 2X8 BK A/13	334728093	A-BLACK	GCP	PLR		M	R	-	-	-	-	5	6	7	-	-	-	-	-	-	-	-	-	SALEABLE		N/A	N/A	N/A	N/A
MX150 ASSY RCP 2X8 BK A/5	334728094	A-BLACK	GCP	PLR		M	R	1	2	3	4	5	6	7	8	-	10	-	-	13	-	15	-	SALEABLE		N/A	N/A	N/A	N/A
MX150 ASSY RCP 2X8 BK A/10	334728095	A-BLACK	GCP	PLR		M	R	-	-	-	-	-	6	-	-	-	10	-	-	13	14	15	16	SALEABLE		N/A	N/A	N/A	N/A
MX150 ASSY RCP 2X8 BK A/12	334728096	A-BLACK	GCP	PLR		M	R	-	-	-	-	5	-	-	-	9	-	-	-	-	-	15	16	SALEABLE		N/A	N/A	N/A	N/A
MX150 ASSY RCP 2X8 BK A/10	334728097	A-BLACK	GCP	PLR		M	R	-	-	-	-	5	-	-	-	9	-	-	12	13	-	15	16	SALEABLE		N/A	N/A	N/A	N/A
MX150 ASSY RCP 2X8 BK A/12	334728098	A-BLACK	GCP	PLR		M	R	-	-	3	-	-	-	-	-	9	-	-	12	13	-	-	-	SALEABLE		N/A	N/A	N/A	N/A
MX150 ASSY RCP 2X8 BK A/13	334728099	A-BLACK	GCP	PLR		M	R	-	-	3	-	5	-	-	-	9	-	-	-	-	-	-	-	SALEABLE		N/A	N/A	N/A	N/A
MX150 ASSY RCP 2X8 CPA BK A/6	334728100	A-BLACK	GCP	PLR	CPA	M	R	1	2	3	4	5	6	7	8	-	-	-	-	-	14	15	-	SALEABLE		N/A	N/A	N/A	N/A
MX150 ASSY RCP 2X8 BK A/6	334728101	A-BLACK	GCP	PLR		M	R	1	2	3	4	5	6	7	8	-	-	-	-	-	14	15	-	SALEABLE		N/A	N/A	N/A	N/A
MX150 ASSY RCP 2X8 CPA BK A/14	334728102	A-BLACK	GCP	PLR	CPA	M	R	-	-	-	-	-	-	-	-	-	-	-	-	-	-	-	-	SALEABLE		N/A	N/A	N/A	N/A
MX150 ASSY RCP 2X8 BK A/10	334728103	A-BLACK	GCP	PLR		M	R	1	-	-	-	5	-	-	8	9	10	-	-	-	-	-	16	SALEABLE		N/A	N/A	N/A	N/A
MX150 ASSY RCP 2X8 CPA BK A/7	334728104	A-BLACK	GCP	PLR	CPA	M	R	-	2	-	4	5	-	-	8	-	-	-	12	13	14	15	16	SALEABLE		N/A	N/A	N/A	N/A
MX150 ASSY RCP 2X8 CPA BK A/14	334728105	A-BLACK	GCP	PLR	CPA	M	R	-	-	-	-	-	-	-	8	-	-	-	-	-	-	-	16	SALEABLE		N/A	N/A	N/A	N/A
MX150 ASSY RCP 2X8 CPA BK A/8	334728106	A-BLACK	GCP	PLR	CPA	M	R	-	-	-	4	5	-	-	8	-	-	-	12	13	14	15	16	SALEABLE		N/A	N/A	N/A	N/A
MX150 ASSY RCP 2X8 BK A/8	334728107	A-BLACK	GCP	PLR		M	R	-	-	3	-	-	6	-	-	-	-	11	12	13	14	15	16	SALEABLE		N/A	N/A	N/A	N/A
MX150 ASSY RCP 2X8 BK A/7	334728108	A-BLACK	GCP	PLR		M	R	-	-	3	-	-	6	-	-	9	-	11	12	13	14	15	16	SALEABLE		N/A	N/A	N/A	N/A
MX150 ASSY RCP 2X8 BK A/14	334728109	A-BLACK	GCP	PLR		M	R	-	-	3	-	-	-	-	-	-	-	-	-	-	-	-	16	SALEABLE		N/A	N/A	N/A	N/A
MX150 ASSY RCP 2X8 BK A/6	334728110	A-BLACK	GCP	PLR		M	R	1	-	-	-	5	6	7	-	9	10	11	12	13	-	-	16	SALEABLE		N/A	N/A	N/A	N/A
MX150 ASSY RCP 2X8 BK A/6	334728111	A-BLACK	GCP	PLR		M	R	1	-	-	-	5	6	7	8	-	10	11	12	13	-	-	16	SALEABLE		N/A	N/A	N/A	N/A
MX150 ASSY RCP 2X8 BK A/14	334728112	A-BLACK	GCP	PLR		M	R	-	-	3	-	-	-	-	-	-	-	-	-	-	-	-	-	SALEABLE		N/A	N/A	N/A	N/A

ASSEMBLY DESCRIPTION	ASSEMBLY PART NUMBER	COMPONENT						BLOCKED TERMINALS								STATUS	COMMENT	OPTIONAL ATTACHMENTS SOLD SEPARATELY			
		THE PRESENCE OF AN ABBREVIATION INDICATES THE PRESENCE OF THAT COMPONENT						CAVITY WITH A NUMBER INDICATES BLOCKED TERMINAL POSITION CAVITY WITHOUT A NUMBER INDICATES OPEN TERMINAL POSITION										BACKSHELL WITH RIBS	BACKSHELL WITHOUT RIBS	90° ADAPTOR WITH RIBS	90° ADAPTOR WITHOUT RIBS
		HOUSING KEY/COLOR	GROMMET CAP	PLR	CPA	MAT SEAL	RING SEAL														
MX150 ASSY RCP 2X8 CPA BK A/14	334728113	A-BLACK	GCP	PLR	CPA	M	R	-	-	3	-	-	-	-	-	SALEABLE		N/A	N/A	N/A	N/A
MX150 ASSY RCP 2X8 BK A/8	334728114	A-BLACK	GCP	PLR		M	R	1	2	-	4	5	6	-	8	SALEABLE		N/A	N/A	N/A	N/A
MX150 ASSY RCP 2X8 LG B/11	334728115	B-LIGHT GRAY	GCP	PLR		M	R	-	-	-	-	-	6	-	-	SALEABLE		N/A	N/A	N/A	N/A
MX150 ASSY RCP 2X8 LG B/6	334728116	B-LIGHT GRAY	GCP	PLR		M	R	1	2	3	4	-	6	7	-	SALEABLE		N/A	N/A	N/A	N/A
MX150 ASSY RCP 2X8 LG B/3	334728117	B-LIGHT GRAY	GCP	PLR		M	R	-	-	-	4	5	6	7	8	SALEABLE		N/A	N/A	N/A	N/A
MX150 ASSY RCP 2X8 BK A/12	334728118	A-BLACK	GCP	PLR		M	R	-	-	-	-	5	-	-	-	SALEABLE		N/A	N/A	N/A	N/A
MX150 ASSY RCP 2X8 BK A/9	334728119	A-BLACK	GCP	PLR		M	R	-	-	3	-	5	-	-	8	SALEABLE		N/A	N/A	N/A	N/A
MX150 ASSY RCP 2X8 BK A/10	334728120	A-BLACK	GCP	PLR		M	R	-	-	3	-	5	-	-	-	SALEABLE		N/A	N/A	N/A	N/A
MX150 ASSY RCP 2X8 BK A/6	334728121	A-BLACK	GCP	PLR		M	R	-	-	3	-	-	6	7	-	SALEABLE		N/A	N/A	N/A	N/A
MX150 ASSY RCP 2X8 BK A/7	334728122	A-BLACK	GCP	PLR		M	R	-	-	3	-	-	6	7	-	SALEABLE		N/A	N/A	N/A	N/A
MX150 ASSY RCP 2X8 CPA BK A/11	334728123	A-BLACK	GCP	PLR	CPA	M	R	-	-	-	4	-	-	7	-	SALEABLE		N/A	N/A	N/A	N/A
MX150 ASSY RCP 2X8 BK A/8	334728124	A-BLACK	GCP	PLR		M	R	-	-	-	4	5	-	-	-	SALEABLE		N/A	N/A	N/A	N/A
MX150 ASSY RCP 2X8 BK A/9	334728125	A-BLACK	GCP	PLR		M	R	-	-	3	-	5	6	-	-	SALEABLE		N/A	N/A	N/A	N/A
MX150 ASSY RCP 2X8 BK A/10	334728126	A-BLACK	GCP	PLR		M	R	-	-	3	4	-	-	-	-	SALEABLE		N/A	N/A	N/A	N/A
MX150 ASSY RCP 2X8 BK A/9	334728127	A-BLACK	GCP	PLR		M	R	-	-	3	4	-	-	7	-	SALEABLE		N/A	N/A	N/A	N/A
MX150 ASSY RCP 2X8 BK A/7	334728128	A-BLACK	GCP	PLR		M	R	-	-	-	4	5	-	7	-	SALEABLE		N/A	N/A	N/A	N/A
MX150 ASSY RCP 2X8 BK A/8	334728129	A-BLACK	GCP	PLR		M	R	-	-	3	-	5	6	7	-	SALEABLE		N/A	N/A	N/A	N/A
MX150 ASSY RCP 2X8 BK A/9	334728130	A-BLACK	GCP	PLR		M	R	-	-	-	4	-	6	7	8	SALEABLE		N/A	N/A	N/A	N/A
MX150 ASSY RCP 2X8 BK A/6	334728131	A-BLACK	GCP	PLR		M	R	1	2	3	4	-	-	7	8	SALEABLE		N/A	N/A	N/A	N/A
MX150 ASSY RCP 2X8 BK A/3	334728132	A-BLACK	GCP	PLR		M	R	1	2	3	4	-	6	7	8	SALEABLE		N/A	N/A	N/A	N/A
MX150 ASSY RCP 2X8 BK A/5	334728133	A-BLACK	GCP	PLR		M	R	1	2	3	-	-	6	7	8	SALEABLE		N/A	N/A	N/A	N/A
MX150 ASSY RCP 2X8 BK A/11	334728134	A-BLACK	GCP	PLR		M	R	-	-	-	4	-	-	7	8	SALEABLE		N/A	N/A	N/A	N/A
MX150 ASSY RCP 2X8 BK A/10	334728135	A-BLACK	GCP	PLR		M	R	-	-	-	-	-	6	7	8	SALEABLE		N/A	N/A	N/A	N/A
MX150 ASSY RCP 2X8 CPA BK A/13	334728136	A-BLACK	GCP	PLR	CPA	M	R	-	-	-	-	5	6	-	-	SALEABLE		N/A	N/A	N/A	N/A
MX150 ASSY RCP 2X8 CPA BK A/15	334728137	A-BLACK	GCP	PLR	CPA	M	R	-	-	-	-	-	-	-	-	SALEABLE		N/A	N/A	N/A	N/A
MX150 ASSY RCP 2X8 BK A/11	334728138	A-BLACK	GCP	PLR		M	R	1	-	-	-	-	-	-	-	SALEABLE		N/A	N/A	N/A	N/A
MX150 ASSY RCP 2X8 CPA BK A/7	334728139	A-BLACK	GCP	PLR	CPA	M	R	-	-	-	-	-	6	7	8	SALEABLE		N/A	N/A	N/A	N/A

ASSEMBLY DESCRIPTION	ASSEMBLY PART NUMBER	COMPONENT						BLOCKED TERMINALS								STATUS	COMMENT	OPTIONAL ATTACHMENTS SOLD SEPARATELY											
		THE PRESENCE OF AN ABBREVIATION INDICATES THE PRESENCE OF THAT COMPONENT						CAVITY WITH A NUMBER INDICATES BLOCKED TERMINAL POSITION CAVITY WITHOUT A NUMBER INDICATES OPEN TERMINAL POSITION										BACKSHELL WITH RIBS	BACKSHELL WITHOUT RIBS	90° ADAPTOR WITH RIBS	90° ADAPTOR WITHOUT RIBS								
		HOUSING KEY/COLOR	GROMMET CAP	PLR	CPA	MAT SEAL	RING SEAL	1	2	3	4	5	6	7	8			9	10	11	12	13	14	15	16				
MX150 ASSY RCP 2X8 BK A/10	334728140	A-BLACK	GCP	PLR		M	R	-	-	-	-	-	-	7	-	-	-	-	12	13	14	15	16	SALEABLE		N/A	N/A	N/A	N/A
MX150 ASSY RCP 2X8 CPA BK A/10	334728141	A-BLACK	GCP	PLR	CPA	M	R	-	-	-	-	-	6	-	-	-	-	-	-	-	6	-	-	SALEABLE		N/A	N/A	N/A	N/A
MX150 ASSY RCP 2X8 CPA BK A/8	334728142	A-BLACK	GCP	PLR	CPA	M	R	-	2	-	-	-	6	7	8	-	10	-	-	13	14	15	16	SALEABLE		N/A	N/A	N/A	N/A
MX150 ASSY RCP 2X8 BK A/13	334728143	A-BLACK	GCP	PLR		M	R	1	-	-	-	-	-	-	-	-	-	-	-	-	-	-	-	SALEABLE		N/A	N/A	N/A	N/A
MX150 ASSY RCP 2X8 BK A/14	334728144	A-BLACK	GCP	PLR		M	R	-	-	-	-	-	-	-	-	-	-	-	-	-	-	-	-	SALEABLE		N/A	N/A	N/A	N/A
MX150 ASSY RCP 2X8 BK A/2	334728145	A-BLACK	GCP	PLR		M	R	1	2	3	4	5	-	-	8	9	10	11	12	13	14	15	16	SALEABLE		N/A	N/A	N/A	N/A
MX150 ASSY RCP 2X8 BK A/13	334728146	A-BLACK	GCP	PLR		M	R	-	2	-	-	-	-	-	-	-	10	-	-	-	14	-	-	SALEABLE		N/A	N/A	N/A	N/A
MX150 ASSY RCP 2X8 BK A/11	334728147	A-BLACK	GCP	PLR		M	R	-	2	3	-	-	-	-	-	-	10	11	-	-	14	-	-	SALEABLE		N/A	N/A	N/A	N/A
MX150 ASSY RCP 2X8 BK A/8	334728148	A-BLACK	GCP	PLR		M	R	1	2	3	-	-	-	-	8	-	10	11	-	-	14	-	16	SALEABLE		N/A	N/A	N/A	N/A
MX150 ASSY RCP 2X8 BK A/9	334728149	A-BLACK	GCP	PLR		M	R	-	-	-	4	5	-	-	8	-	-	-	12	13	14	15	-	SALEABLE		N/A	N/A	N/A	N/A
MX150 ASSY RCP 2X8 BK A/5	334728150	A-BLACK	GCP	PLR		M	R	-	2	-	4	5	6	7	-	9	10	11	12	-	14	-	16	SALEABLE		N/A	N/A	N/A	N/A
MX150 ASSY RCP 2X8 CPA DG C/15	334728151	C-DARK GRAY	GCP	PLR	CPA	M	R	1	-	-	-	-	-	-	-	-	-	-	-	-	-	-	-	SALEABLE		N/A	N/A	N/A	N/A
MX150 ASSY RCP 2X8 SG D/15	334728152	D-STONE GRAY	GCP	PLR		M	R	1	-	-	-	-	-	-	-	-	-	-	-	-	-	-	-	SALEABLE		N/A	N/A	N/A	N/A
MX150 ASSY RCP 2X8 DG C/15	334728153	C-DARK GRAY	GCP	PLR		M	R	1	-	-	-	-	-	-	-	-	-	-	-	-	-	-	-	SALEABLE		N/A	N/A	N/A	N/A
MX150 ASSY RCP 2X8 CPA SG D/15	334728154	D-STONE GRAY	GCP	PLR	CPA	M	R	1	-	-	-	-	-	-	-	-	-	-	-	-	-	-	-	SALEABLE		N/A	N/A	N/A	N/A
MX150 ASSY RCP 2X8 BK A/9	334728155	A-BLACK	GCP	PLR		M	R	1	-	3	-	-	6	7	8	-	-	-	-	-	-	15	16	SALEABLE		N/A	N/A	N/A	N/A
MX150 ASSY RCP 2X8 BK A/6	334728156	A-BLACK	GCP	PLR		M	R	-	-	3	4	-	6	-	8	9	10	11	12	-	-	15	16	SALEABLE		N/A	N/A	N/A	N/A
MX150 ASSY RCP 2X8 BK A/8	334728157	A-BLACK	GCP	PLR		M	R	-	-	3	4	-	-	-	-	9	10	11	12	-	-	15	16	SALEABLE		N/A	N/A	N/A	N/A
MX150 ASSY RCP 2X8 BK A/9	334728158	A-BLACK	GCP	PLR		M	R	-	-	-	4	5	-	7	-	-	10	-	-	13	14	-	16	SALEABLE		N/A	N/A	N/A	N/A
MX150 ASSY RCP 2X8 BK A/14	334728159	A-BLACK	GCP	PLR		M	R	-	-	-	-	5	-	-	-	-	-	-	-	5	-	-	-	SALEABLE		N/A	N/A	N/A	N/A
MX150 ASSY RCP 2X8 BK A/13	334728160	A-BLACK	GCP	PLR		M	R	-	-	-	4	5	-	-	-	-	-	-	-	-	14	-	-	SALEABLE		N/A	N/A	N/A	N/A
MX150 ASSY RCP 2X8 BK A/2	334728161	A-BLACK	GCP	PLR		M	R	1	2	3	4	5	-	7	8	9	10	11	12	13	14	15	-	SALEABLE		N/A	N/A	N/A	N/A
MX150 ASSY RCP 2X8 BK A/12	334728162	A-BLACK	GCP	PLR		M	R	-	2	-	-	-	-	7	-	-	10	-	-	-	14	-	-	SALEABLE		N/A	N/A	N/A	N/A
MX150 ASSY RCP 2X8 BK A/10	334728163	A-BLACK	GCP	PLR		M	R	1	2	-	-	-	-	7	8	-	10	-	-	-	14	-	-	SALEABLE		N/A	N/A	N/A	N/A
MX150 ASSY RCP 2X8 BK A/10	334728164	A-BLACK	GCP	PLR		M	R	-	2	3	-	-	-	7	-	-	10	11	-	-	14	-	-	SALEABLE		N/A	N/A	N/A	N/A
MX150 ASSY RCP 2X8 BK A/6	334728165	A-BLACK	GCP	PLR		M	R	1	2	3	4	-	-	7	8	-	10	11	12	-	14	-	-	SALEABLE		N/A	N/A	N/A	N/A
MX150 ASSY RCP 2X8 BK A/4	334728166	A-BLACK	GCP	PLR		M	R	-	2	3	4	5	-	7	-	9	10	11	12	13	14	15	-	SALEABLE		N/A	N/A	N/A	N/A

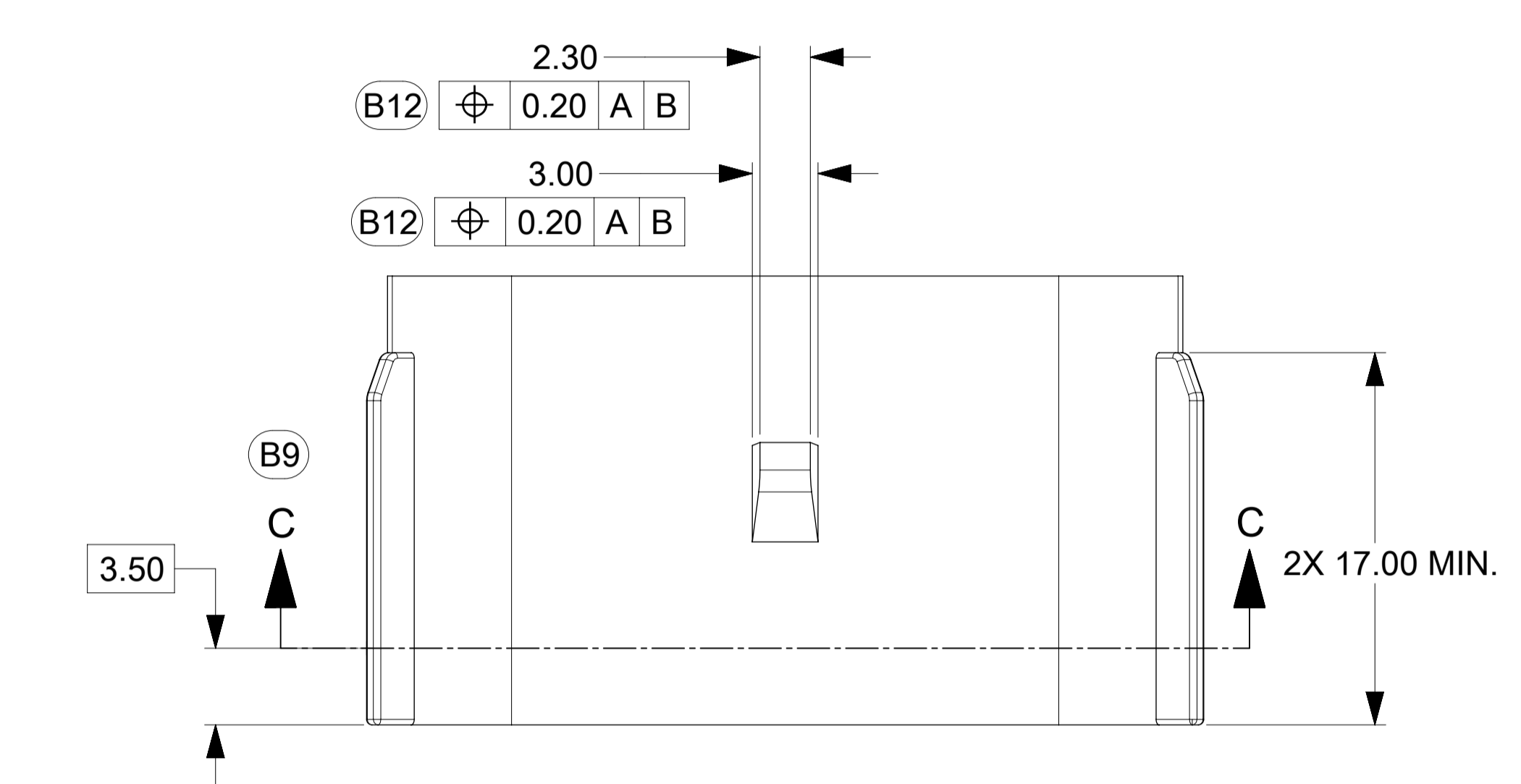
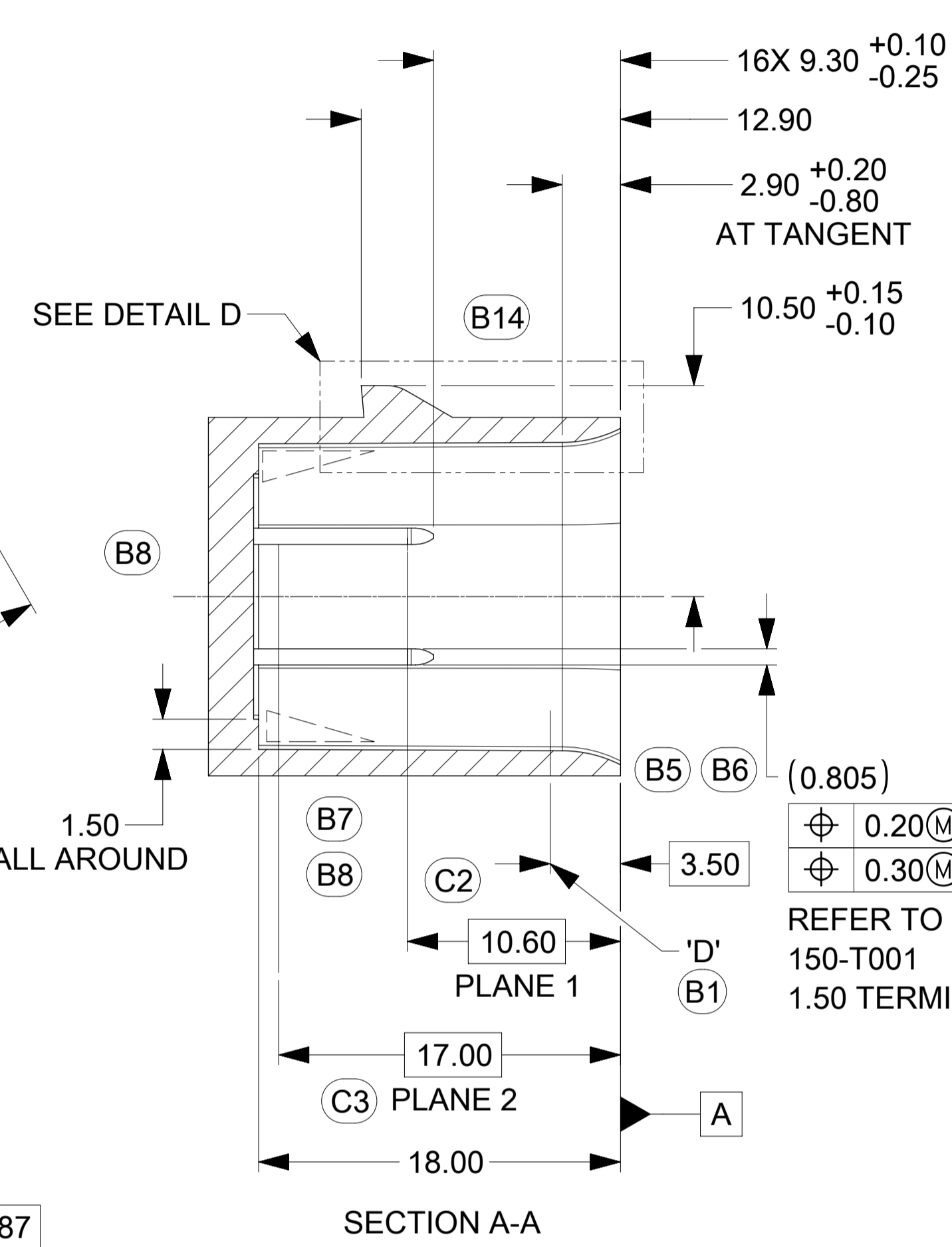
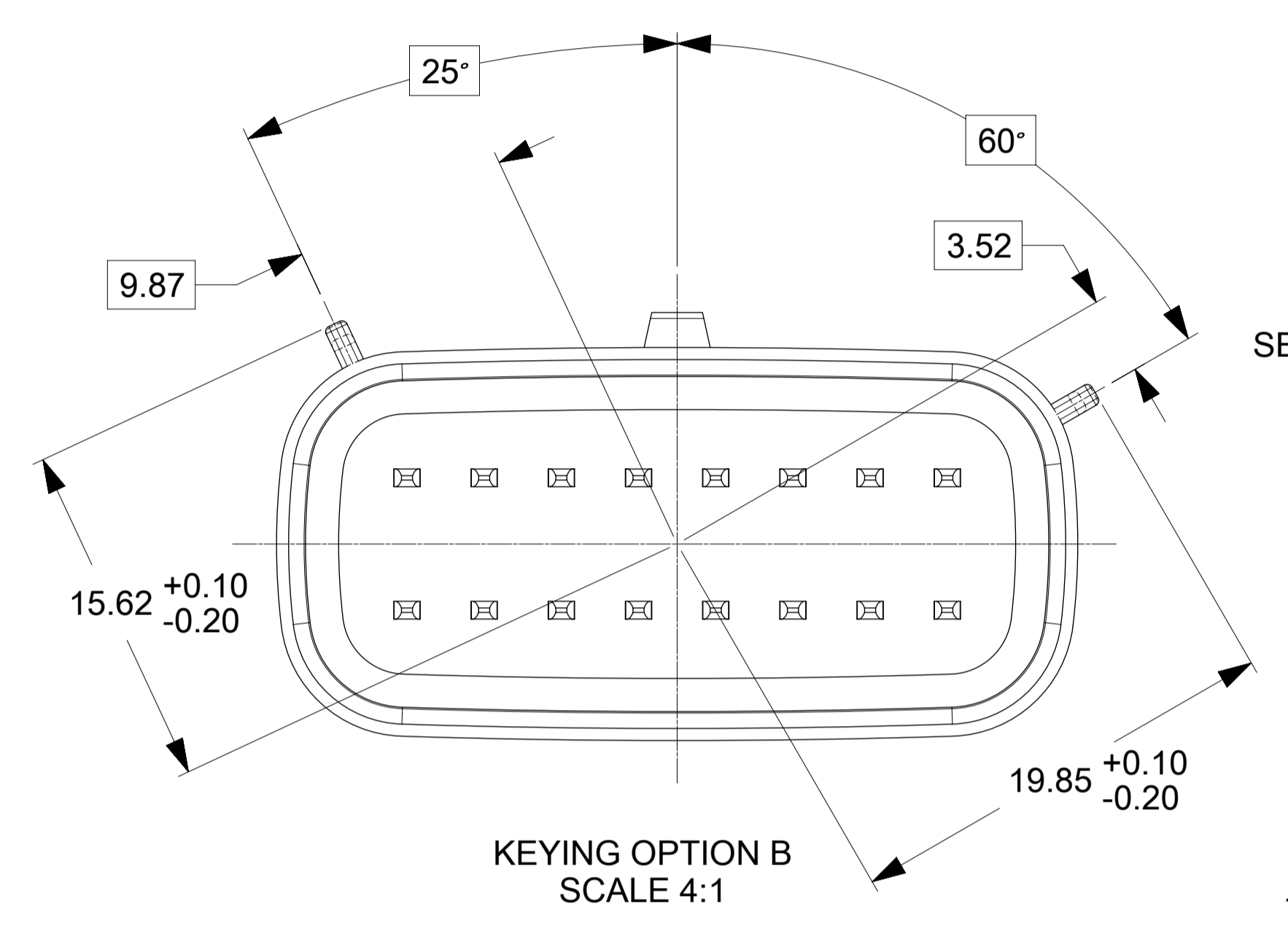
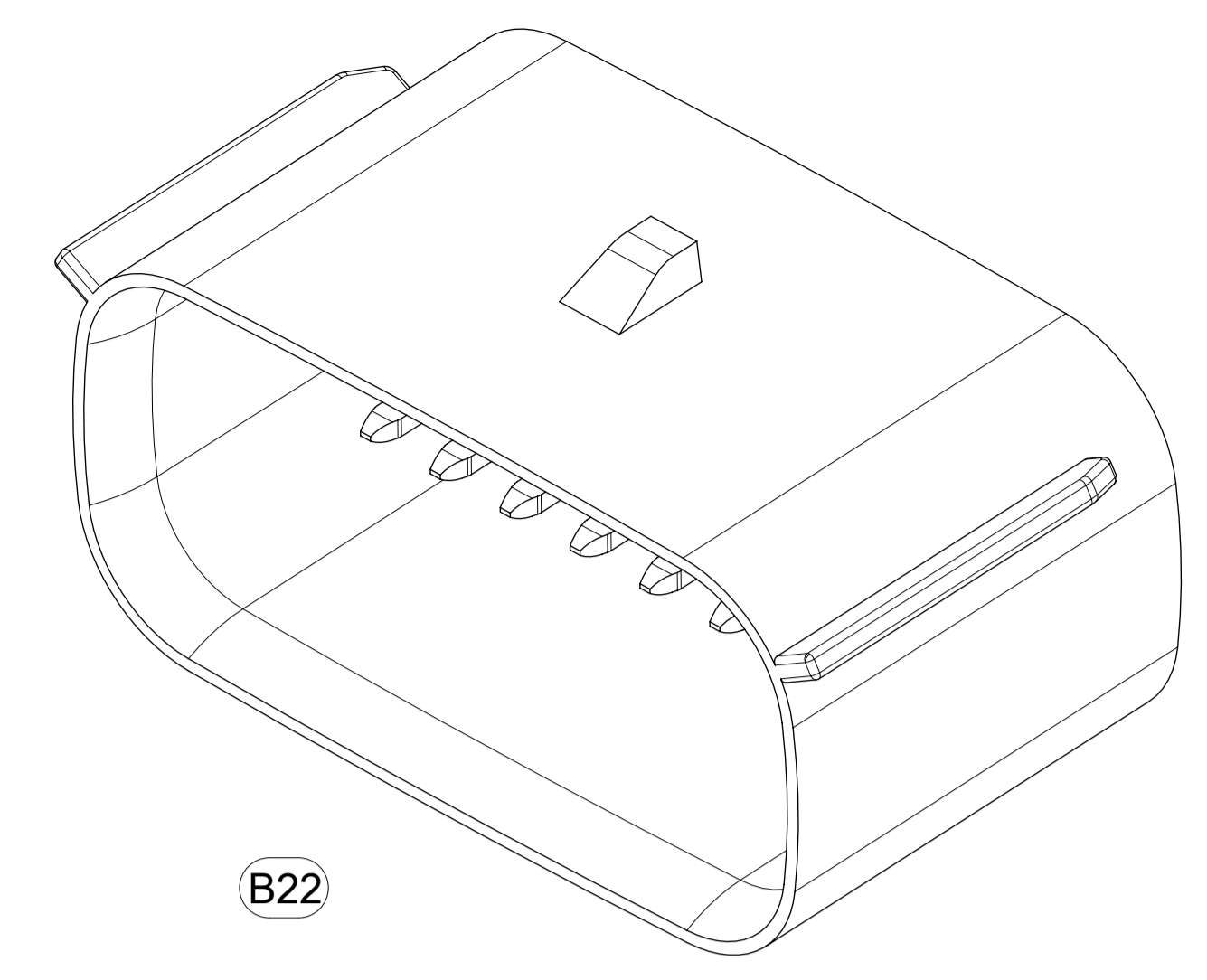
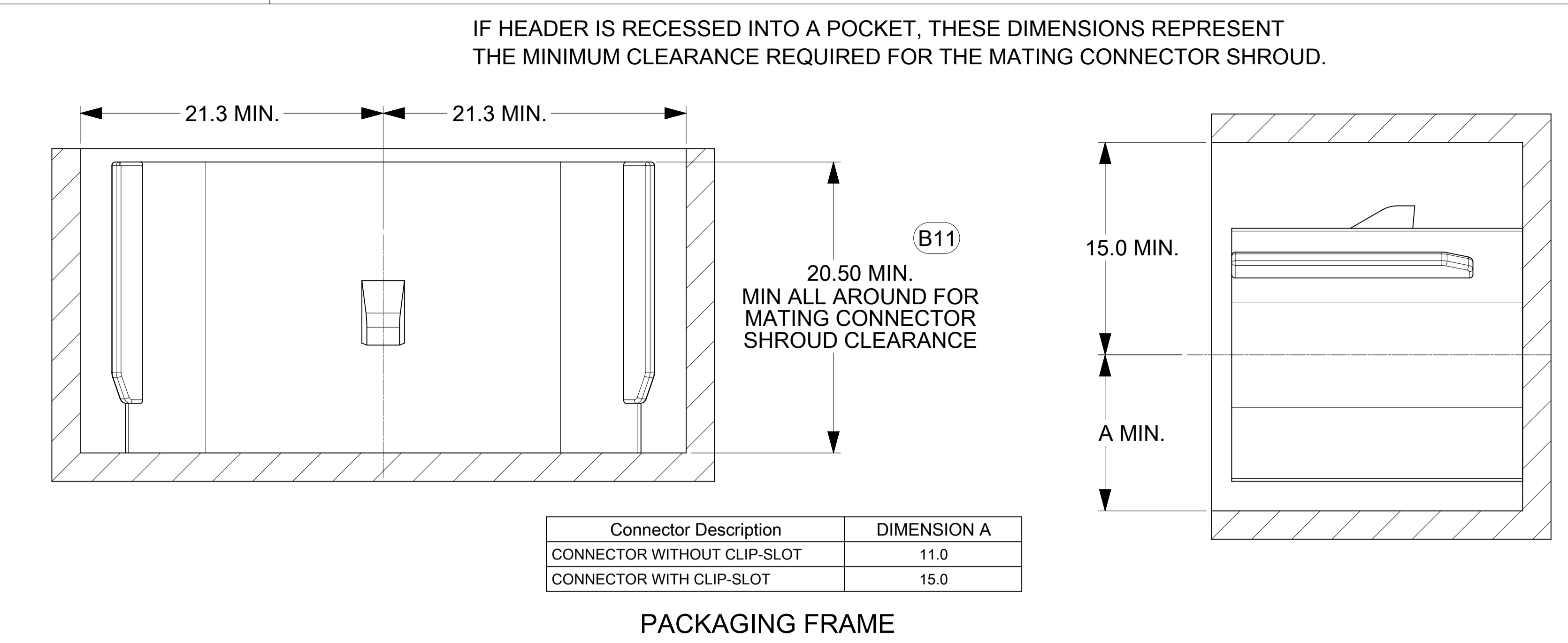
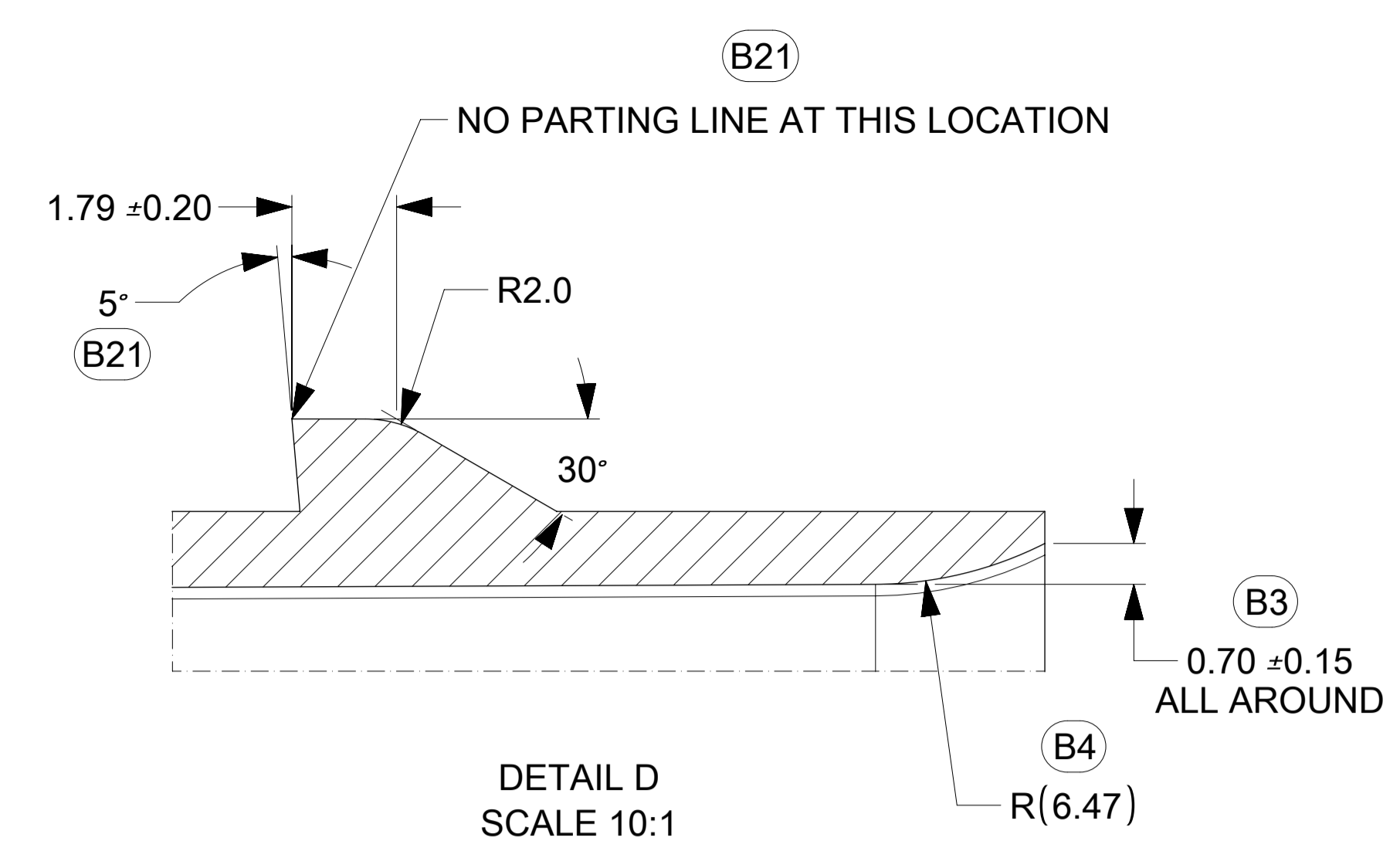
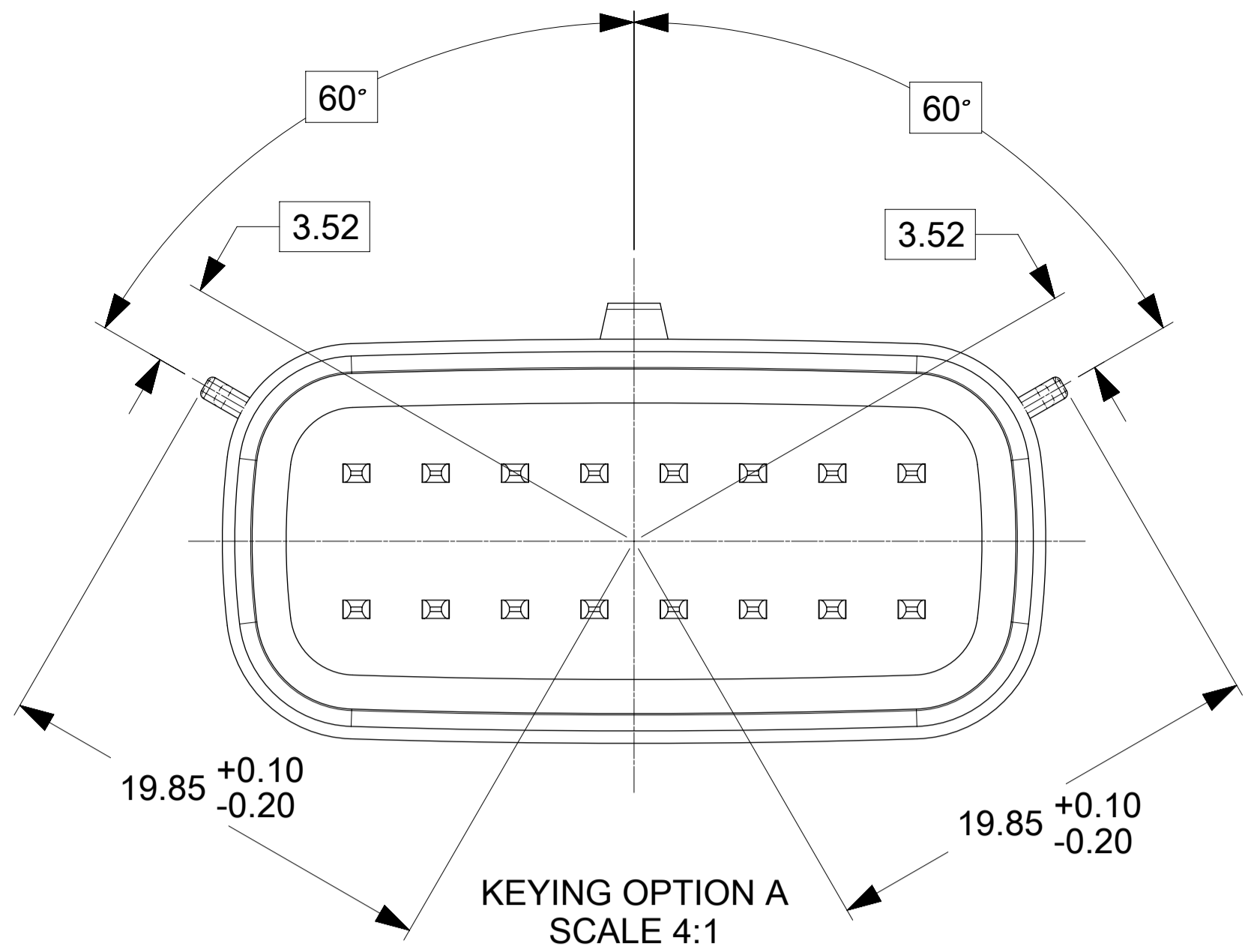
ASSEMBLY DESCRIPTION	ASSEMBLY PART NUMBER	COMPONENT						BLOCKED TERMINALS								STATUS	COMMENT	OPTIONAL ATTACHMENTS SOLD SEPARATELY											
		THE PRESENCE OF AN ABBREVIATION INDICATES THE PRESENCE OF THAT COMPONENT						CAVITY WITH A NUMBER INDICATES BLOCKED TERMINAL POSITION CAVITY WITHOUT A NUMBER INDICATES OPEN TERMINAL POSITION										BACKSHELL WITH RIBS	BACKSHELL WITHOUT RIBS	90° ADAPTOR WITH RIBS	90° ADAPTOR WITHOUT RIBS								
		HOUSING KEY/COLOR	GROMMET CAP	PLR	CPA	MAT SEAL	RING SEAL	1	2	3	4	5	6	7	8							9	10	11	12	13	14	15	16
MX150 ASSY RCP 2X8 BK A/5	334728167	A-BLACK	GCP	PLR		M	R	-	2	3	-	5	6	7	-	9	-	11	-	13	14	15	16	SALEABLE		N/A	N/A	N/A	N/A
MX150 ASSY RCP 2X8 BK A/10	334728168	A-BLACK	GCP	PLR		M	R	-	-	-	4	-	6	-	8	-	-	11	-	13	-	15	-	SALEABLE		N/A	N/A	N/A	N/A
MX150 ASSY RCP 2X8 BK A/8	334728169	A-BLACK	GCP	PLR		M	R	1	2	3	-	-	-	7	8	-	-	10	11	-	-	14	-	SALEABLE		N/A	N/A	N/A	N/A
MX150 ASSY RCP 2X8 BK A/7	334728170	A-BLACK	GCP	PLR		M	R	-	2	-	-	5	6	7	-	9	10	-	12	13	-	-	16	SALEABLE		N/A	N/A	N/A	N/A
MX150 ASSY RCP 2X8 BK A/6	334728171	A-BLACK	GCP	PLR		M	R	-	2	-	4	5	-	-	-	9	-	11	12	13	14	15	16	SALEABLE		N/A	N/A	N/A	N/A
MX150 ASSY RCP 2X8 BK A/11	334728172	A-BLACK	GCP	PLR		M	R	-	-	-	4	-	6	-	-	-	-	-	11	12	13	-	-	SALEABLE		N/A	N/A	N/A	N/A
MX150 ASSY RCP 2X8 BK A/13	334728173	A-BLACK	GCP	PLR		M	R	-	-	-	-	-	-	-	-	-	-	-	-	-	-	-	16	SALEABLE		N/A	N/A	N/A	N/A
MX150 ASSY RCP 2X8 BK A/11	334728174	A-BLACK	GCP	PLR		M	R	-	-	-	-	-	6	7	-	-	-	-	-	-	-	-	-	SALEABLE		N/A	N/A	N/A	N/A
MX150 ASSY RCP 2X8 BK A/10	334728175	A-BLACK	GCP	PLR		M	R	-	-	-	-	-	6	7	-	9	10	11	-	-	14	-	-	SALEABLE		N/A	N/A	N/A	N/A
MX150 ASSY RCP 2X8 CPA BK A/9	334728176	A-BLACK	GCP	PLR	CPA	M	R	-	-	-	4	5	-	-	8	-	-	-	-	12	13	14	15	SALEABLE		N/A	N/A	N/A	N/A
MX150 ASSY RCP 2X8 CPA BK A/10	334728177	A-BLACK	GCP	PLR	CPA	M	R	-	2	3	4	-	-	-	-	-	-	-	-	-	-	-	-	SALEABLE		N/A	N/A	N/A	N/A
MX150 ASSY RCP 2X8 BK A/14	334728178	A-BLACK	GCP	PLR		M	R	-	-	-	-	-	-	-	-	-	-	-	-	-	-	-	-	SALEABLE		N/A	N/A	N/A	N/A
MX150 ASSY RCP 2X8 BK A/13	334728179	A-BLACK	GCP	PLR		M	R	-	-	-	-	-	-	-	8	-	-	-	-	-	-	-	-	SALEABLE		N/A	N/A	N/A	N/A
MX150 ASSY RCP 2X8 BK A/10	334728180	A-BLACK	GCP	PLR		M	R	-	-	-	4	-	6	-	-	9	-	11	12	13	-	-	-	SALEABLE		N/A	N/A	N/A	N/A
MX150 ASSY RCP 2X8 BK A/11	334728181	A-BLACK	GCP	PLR		M	R	-	-	-	4	-	6	-	-	9	-	11	12	-	-	-	-	SALEABLE		N/A	N/A	N/A	N/A
MX150 ASSY RCP 2X8 BK A/9	334728182	A-BLACK	GCP	PLR		M	R	-	-	-	4	-	6	-	-	-	-	-	11	12	13	14	-	SALEABLE		N/A	N/A	N/A	N/A
MX150 ASSY RCP 2X8 BK A/8	334728183	A-BLACK	GCP	PLR		M	R	-	-	-	-	5	-	7	8	-	-	-	11	12	13	14	-	SALEABLE		N/A	N/A	N/A	N/A
MX150 ASSY RCP 2X8 LG B/7	334728184	B-LIGHT GRAY	GCP	PLR		M	R	1	2	3	4	5	6	7	8	-	-	-	-	-	-	-	16	SALEABLE		N/A	N/A	N/A	N/A
MX150 ASSY RCP 2X8 LG B/6	334728185	B-LIGHT GRAY	GCP	PLR		M	R	1	2	3	4	5	6	7	8	-	-	-	-	-	-	15	16	SALEABLE		N/A	N/A	N/A	N/A
MX150 ASSY RCP 2X8 BK A/8	334728186	A-BLACK	GCP	PLR		M	R	-	-	3	4	-	6	-	-	9	10	11	-	-	14	-	16	SALEABLE		N/A	N/A	N/A	N/A
MX150 ASSY RCP 2X8 BK A/14	334728187	A-BLACK	GCP	PLR		M	R	-	-	-	-	-	-	-	-	9	10	-	-	-	-	-	-	SALEABLE		N/A	N/A	N/A	N/A
MX150 ASSY RCP 2X8 BK A/4	334728188	A-BLACK	GCP	PLR		M	R	-	-	3	4	5	6	-	-	9	10	11	12	13	14	15	16	SALEABLE		N/A	N/A	N/A	N/A
MX150 ASSY RCP 2X8 LG B/14	334728189	B-LIGHT GRAY	GCP	PLR		M	R	-	-	-	-	-	-	-	-	9	10	-	-	-	-	-	-	SALEABLE		N/A	N/A	N/A	N/A
MX150 ASSY RCP 2X8 BK A/10	334728190	A-BLACK	GCP	PLR		M	R	-	2	-	-	-	6	-	-	-	-	-	-	13	14	15	16	SALEABLE		N/A	N/A	N/A	N/A
MX150 ASSY RCP 2X8 LG B/3	334728191	B-LIGHT GRAY	GCP	PLR		M	R	1	2	3	4	5	6	7	8	9	10	11	12	13	-	-	-	SALEABLE		N/A	N/A	N/A	N/A
MX150 ASSY RCP 2X8 LG B/2	334728192	B-LIGHT GRAY	GCP	PLR		M	R	1	2	3	4	5	6	7	8	9	10	11	-	-	14	15	16	SALEABLE		N/A	N/A	N/A	N/A
MX150 ASSY RCP 2X8 BK A/7	334728193	A-BLACK	GCP	PLR		M	R	1	2	3	4	5	6	7	8	-	-	-	-	-	-	-	16	SALEABLE		N/A	N/A	N/A	N/A



MX150 RECEPTACLE 2X8 SEALED ASSEMBLY MAT SEAL
BOM AND PIN OUT SHEET

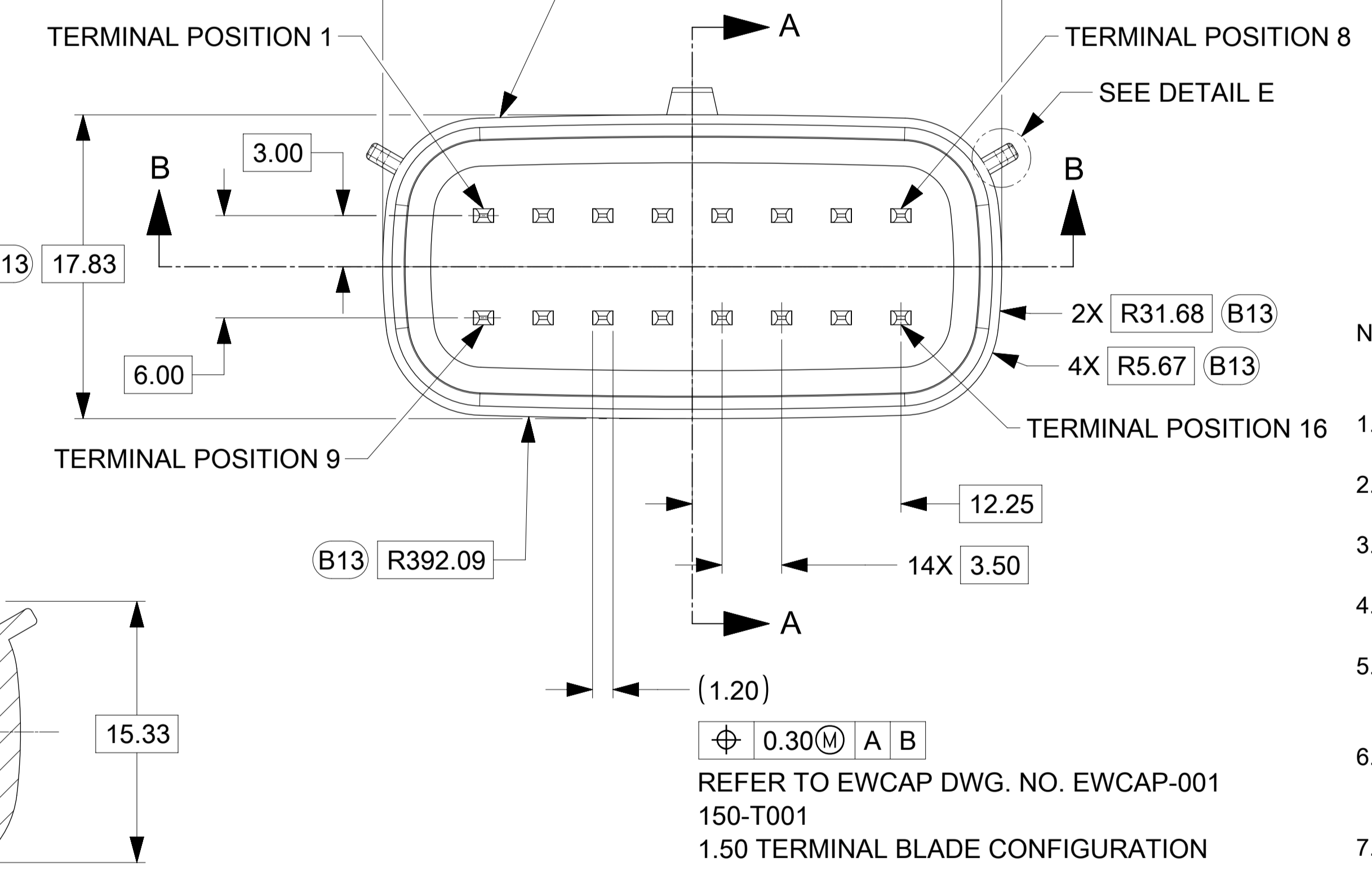
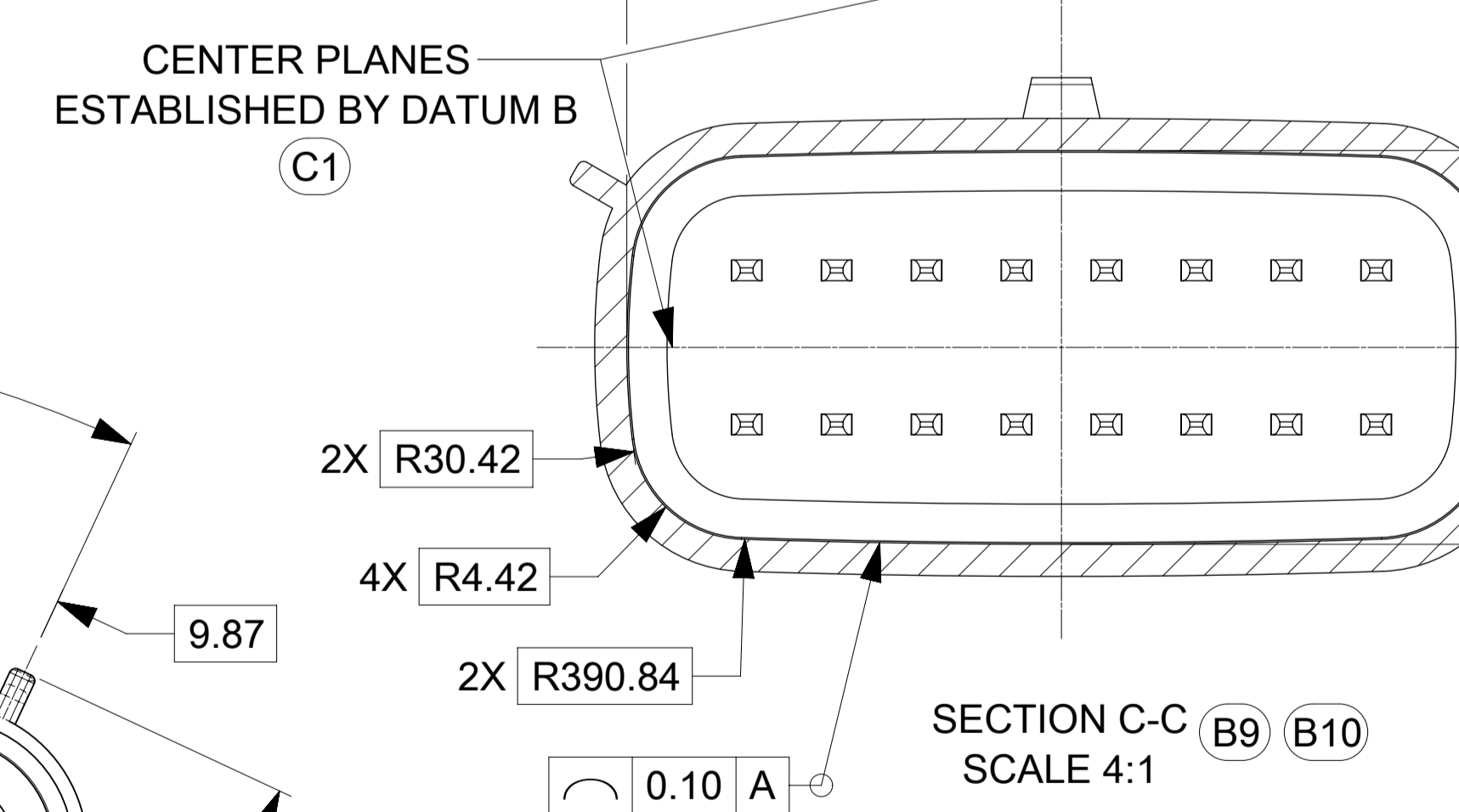
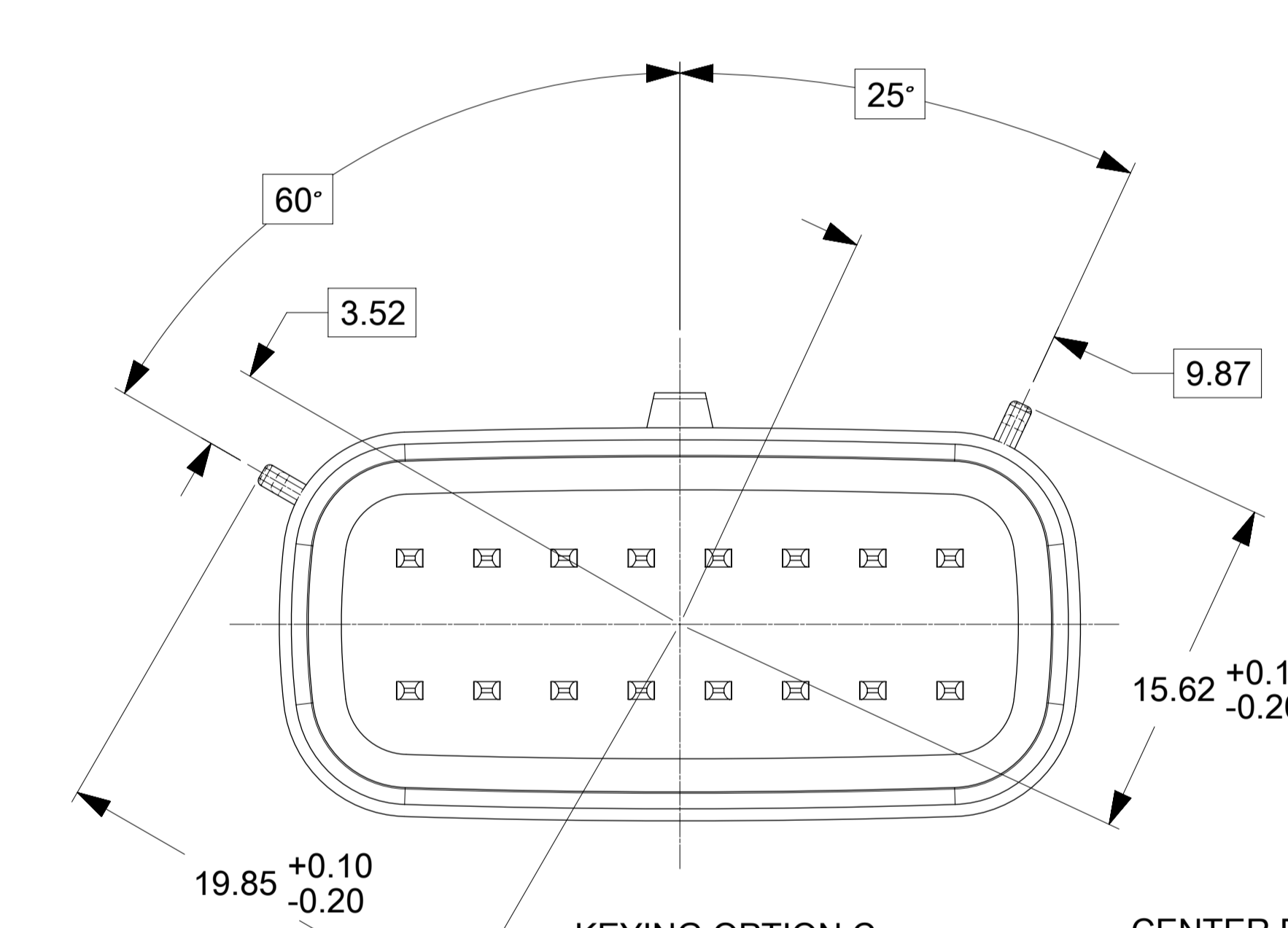
ASSEMBLY DESCRIPTION	ASSEMBLY PART NUMBER	COMPONENT						BLOCKED TERMINALS								STATUS	COMMENT	OPTIONAL ATTACHMENTS SOLD SEPARATELY			
		THE PRESENCE OF AN ABBREVIATION INDICATES THE PRESENCE OF THAT COMPONENT						CAVITY WITH A NUMBER INDICATES BLOCKED TERMINAL POSITION CAVITY WITHOUT A NUMBER INDICATES OPEN TERMINAL POSITION										BACKSHELL WITH RIBS	BACKSHELL WITHOUT RIBS	90° ADAPTOR WITH RIBS	90° ADAPTOR WITHOUT RIBS
		HOUSING KEY/COLOR	GROMMET CAP	PLR	CPA	MAT SEAL	RING SEAL	1	2	3	4	5	6	7	8						
MX150 ASSY RCP 2X8 CPA BK A/8	334728194	A-BLACK	GCP	PLR	CPA	M	R	-	-	-	-	-	6	7	-	SALEABLE		N/A	N/A	N/A	N/A
MX150 ASSY RCP 2X8 BK A/8	334728195	A-BLACK	GCP	PLR		M	R	-	10	11	12	13	14	15	-	SALEABLE		N/A	N/A	N/A	N/A
MX150 ASSY RCP 2X8 BK A/13	334728196	A-BLACK	GCP	PLR		M	R	-	-	-	4	-	-	7	-	SALEABLE		N/A	N/A	N/A	N/A
MX150 ASSY RCP 2X8 BK A/9	334728197	A-BLACK	GCP	PLR		M	R	1	2	3	4	5	6	-	-	SALEABLE		N/A	N/A	N/A	N/A
MX150 ASSY RCP 2X8 BK A/11	334728198	A-BLACK	GCP	PLR		M	R	-	2	-	4	5	-	-	-	SALEABLE		N/A	N/A	N/A	N/A
MX150 ASSY RCP 2X8 BK A/7	334728199	A-BLACK	GCP	PLR		M	R	-	2	3	4	5	6	-	-	SALEABLE		N/A	N/A	N/A	N/A
MX150 ASSY RCP 2X8 BK A/9	334728200	A-BLACK	GCP	PLR		M	R	1	-	-	-	-	-	-	8	SALEABLE		N/A	N/A	N/A	N/A
MX150 ASSY RCP 2X8 BK A/6	334728201	A-BLACK	GCP	PLR		M	R	1	-	-	-	-	6	-	8	SALEABLE		N/A	N/A	N/A	N/A
MX150 ASSY RCP 2X8 BK A/7	334728202	A-BLACK	GCP	PLR		M	R	1	-	-	-	-	-	-	8	SALEABLE		N/A	N/A	N/A	N/A
MX150 ASSY RCP 2X8 BK A/12	334728203	A-BLACK	GCP	PLR		M	R	-	-	-	-	5	6	7	-	SALEABLE		N/A	N/A	N/A	N/A
MX150 ASSY RCP 2X8 BK A/10	334728204	A-BLACK	GCP	PLR		M	R	-	-	-	4	-	6	7	8	SALEABLE		N/A	N/A	N/A	N/A
MX150 ASSY RCP 2X8 BK A/12	334728205	A-BLACK	GCP	PLR		M	R	-	-	-	-	-	6	7	8	SALEABLE		N/A	N/A	N/A	N/A
MX150 ASSY RCP 2X8 BK A/6	334728206	A-BLACK	GCP	PLR		M	R	-	-	3	4	5	6	7	8	SALEABLE		N/A	N/A	N/A	N/A
MX150 ASSY RCP 2X8 BK A/9	334728207	A-BLACK	GCP	PLR		M	R	1	-	-	-	-	-	-	8	SALEABLE		N/A	N/A	N/A	N/A
MX150 ASSY RCP 2X8 BK A/8	334728209	A-BLACK	GCP	PLR		M	R	-	-	-	4	-	-	7	8	SALEABLE		N/A	N/A	N/A	N/A
MX150 ASSY RCP 2X8 BK A/9	334728210	A-BLACK	GCP	PLR		M	R	-	-	-	4	-	6	7	-	SALEABLE		N/A	N/A	N/A	N/A
MX150 ASSY RCP 2X8 BK A/6	334728211	A-BLACK	GCP	PLR		M	R	-	-	3	4	5	-	7	-	SALEABLE		N/A	N/A	N/A	N/A
MX150 ASSY RCP 2X8 LG B/4	334728212	B-LIGHT GRAY	GCP	PLR		M	R	1	2	3	4	5	6	7	8	SALEABLE		N/A	N/A	N/A	N/A
MX150 ASSY RCP 2X8 LG B/1	334728213	B-LIGHT GRAY	GCP	PLR		M	R	1	2	3	4	5	6	7	8	SALEABLE		N/A	N/A	N/A	N/A
MX150 ASSY RCP 2X8 BK A/9	334728214	A-BLACK	GCP	PLR		M	R	1	-	-	-	-	6	-	-	SALEABLE		N/A	N/A	N/A	N/A
MX150 ASSY RCP 2X8 BK A/12	334728215	A-BLACK	GCP	PLR		M	R	1	-	-	-	-	6	-	-	SALEABLE		N/A	N/A	N/A	N/A
MX150 ASSY RCP 2X8 BK A/12	334728216	A-BLACK	GCP	PLR		M	R	-	2	3	-	-	-	7	8	SALEABLE		N/A	N/A	N/A	N/A
MX150 ASSY RCP 2X8 BK A/8	334728217	A-BLACK	GCP	PLR		M	R	-	-	-	4	5	6	-	-	SALEABLE		N/A	N/A	N/A	N/A
MX150 ASSY RCP 2X8 BK A/9	334728218	A-BLACK	GCP	PLR		M	R	-	-	-	-	-	6	-	8	SALEABLE		N/A	N/A	N/A	N/A
MX150 ASSY RCP 2X8 CPA BK A/2	334728219	A-BLACK	GCP	PLR	CPA	M	R	-	2	3	4	5	6	-	8	SALEABLE		N/A	N/A	N/A	N/A
MX150 ASSY RCP 2X8 CPA BK A/7	334728220	A-BLACK	GCP	PLR	CPA	M	R	-	-	-	-	5	6	7	-	SALEABLE		N/A	N/A	N/A	N/A
MX150 ASSY RCP 2X8 CPA BK A/8	334728221	A-BLACK	GCP	PLR	CPA	M	R	-	2	3	-	-	-	7	8	SALEABLE		N/A	N/A	N/A	N/A

ASSEMBLY DESCRIPTION	ASSEMBLY PART NUMBER	COMPONENT						BLOCKED TERMINALS								STATUS	COMMENT	OPTIONAL ATTACHMENTS SOLD SEPARATELY			
		THE PRESENCE OF AN ABBREVIATION INDICATES THE PRESENCE OF THAT COMPONENT						CAVITY WITH A NUMBER INDICATES BLOCKED TERMINAL POSITION CAVITY WITHOUT A NUMBER INDICATES OPEN TERMINAL POSITION										BACKSHELL WITH RIBS	BACKSHELL WITHOUT RIBS	90° ADAPTOR WITH RIBS	90° ADAPTOR WITHOUT RIBS
		HOUSING KEY/COLOR	GROMMET CAP	PLR	CPA	MAT SEAL	RING SEAL	1	-	3	4	-	-	7	-						
MX150 ASSY RCP 2X8 CPA BK A/9	334728222	A-BLACK	GCP	PLR	CPA	M	R	-	-	-	-	-	14	15	16	SALEABLE		N/A	N/A	N/A	N/A
MX150 ASSY RCP 2X8 CPA BK A/9	334728223	A-BLACK	GCP	PLR	CPA	M	R	1	-	3	4	-	-	-	8	SALEABLE		N/A	N/A	N/A	N/A
MX150 ASSY RCP 2X8 CPA BK A/10	334728224	A-BLACK	GCP	PLR	CPA	M	R	-	-	-	-	-	-	-	-	SALEABLE		N/A	N/A	N/A	N/A
MX150 ASSY RCP 2X8 CPA BK A/13	334728225	A-BLACK	GCP	PLR	CPA	M	R	1	-	-	-	5	-	-	-	SALEABLE		N/A	N/A	N/A	N/A
MX150 ASSY RCP 2X8 CPA BK A/11	334728226	A-BLACK	GCP	PLR	CPA	M	R	-	-	-	-	-	-	-	16	SALEABLE		N/A	N/A	N/A	N/A
								1	2	-	-	-	-	-	-			N/A	N/A	N/A	N/A
								-	-	11	12	-	-	15	-						

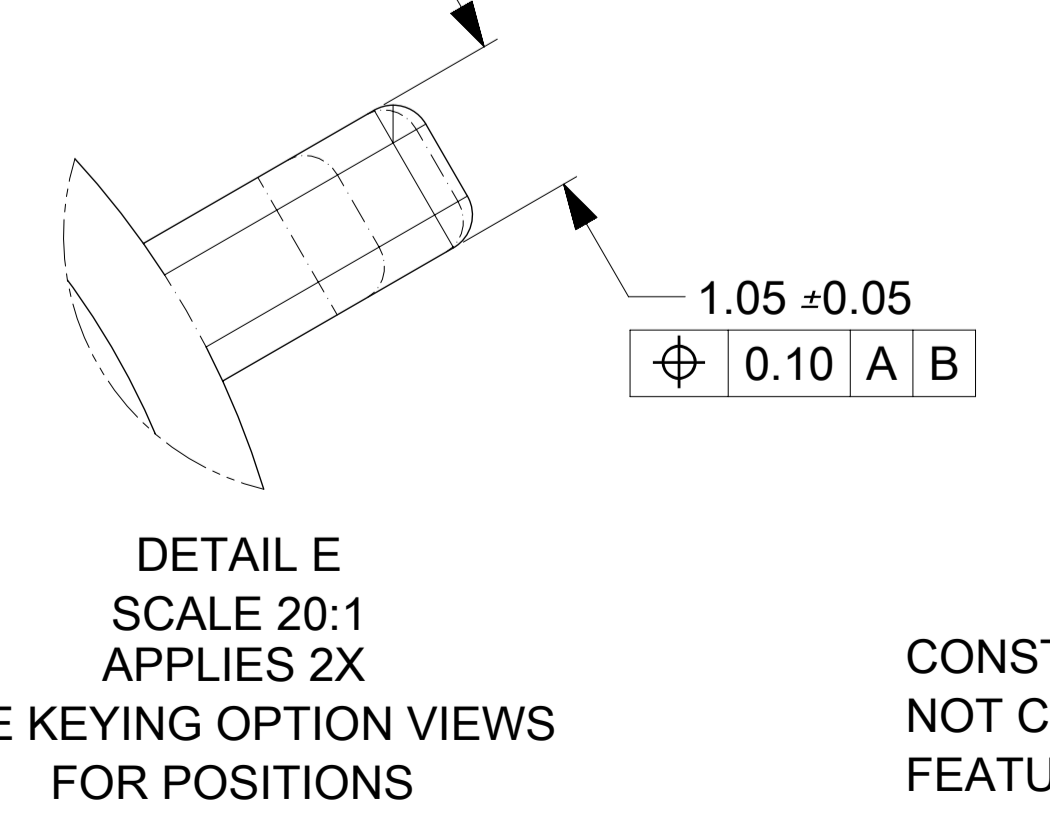
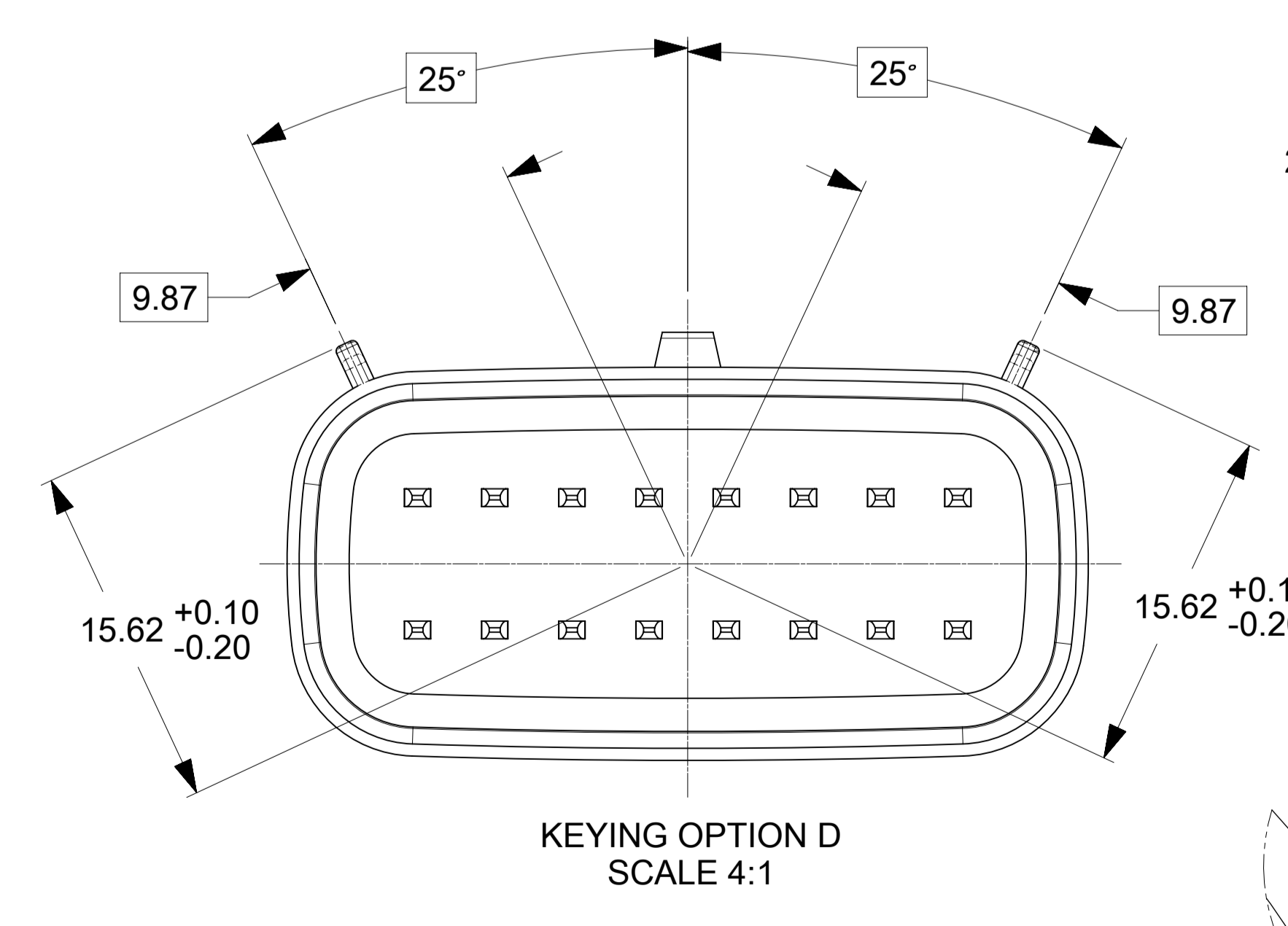


STANDARD NOTICE

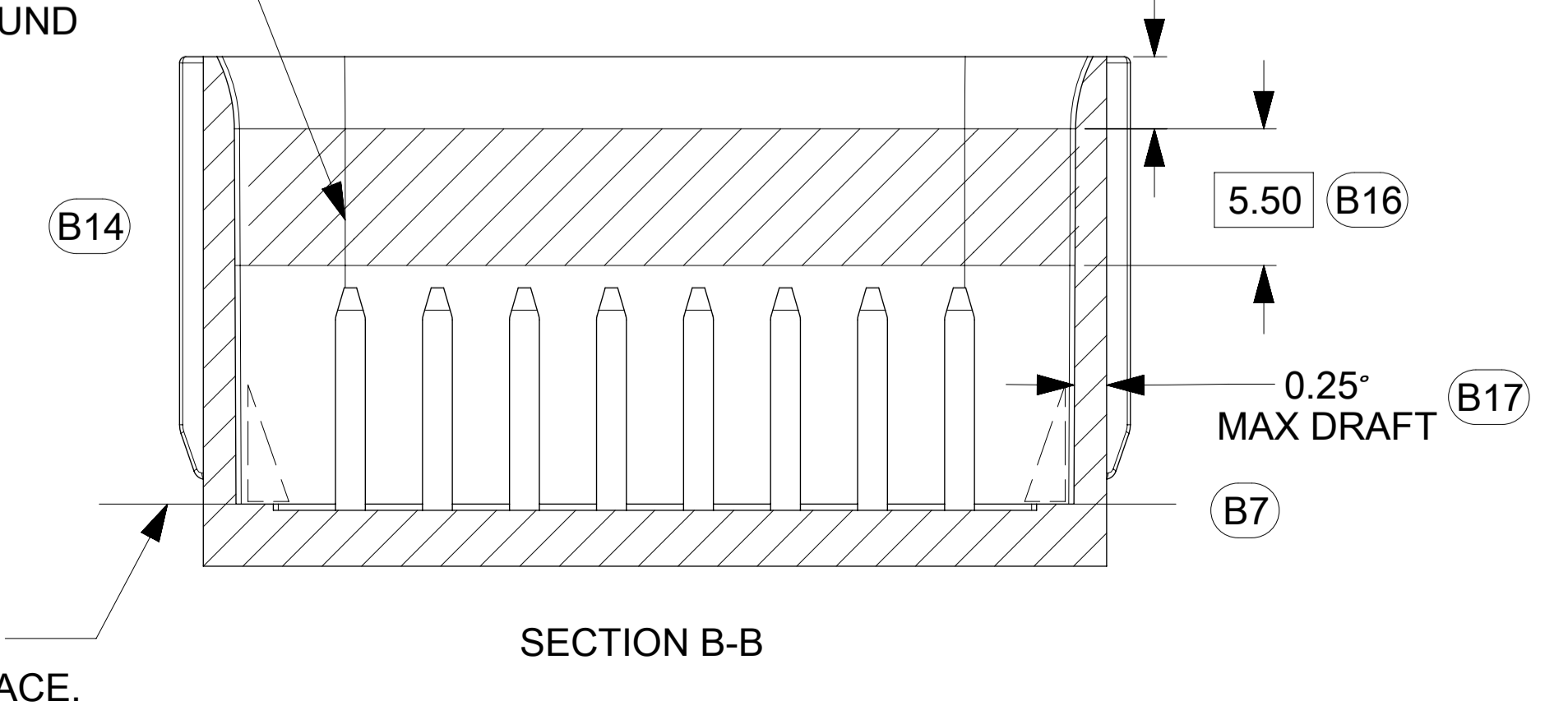
This drawing, or portions of it are controlled by the Electrical Wiring Components Application Partnership (EWCAP) a subgroup of the United States Council for Automotive Research LLC (USCAR LLC). USCAR is an LLC consisting of members from FCA US LLC, Ford Motor Company and GM Corporation. Any change to a EWCAP controlled portion of this drawing, including a revision record change must be approved, in writing, by the responsible EWCAP representative from each USCAR member company. Each EWCAP representative authorized to sign for his or her member company is responsible for obtaining all necessary approvals within that company prior to signing for the approval of the change. EWCAP expressly prohibits any party from changing either any EWCAP controlled portion of this drawing or any associated tooling before receiving approval, signed by the authorized representatives, of the USCAR member companies. Reference to the signed change notice must be entered in the drawing control column.



- NOTES: UNLESS OTHERWISE SPECIFIED**
- ALL DIMENSIONS SHOWN IN MILLIMETERS.
 - DIMENSIONING AND TOLERANCING PER ASME Y14.5M-2009
 - 0.25 RADII ON ALL CORNERS SHOWN SHARP.
 - UNSPECIFIED RADII: 0.25 EXCEPT AS NOTED.
 - STANDARD COLORS FOR POLARIZATION (SEE CHART). DEVIATION REQUIRES APPROVAL OF AUTHORIZED PERSON.
 - REFER TO "SAE/USCAR 12 CONNECTOR GUIDELINES" FOR ADDITIONAL REQUIREMENTS.
 - EXCEPT WHERE NOTED, DRAFT ON OUTSIDE SURFACES IS PERMISSIBLE WITHIN TOLERANCE.
 - SYMBOL INDICATES DRAFT DIRECTION.
 - FOR TERMINAL MATERIAL, DIMENSIONAL, AND COATING REQUIREMENTS AND ANY BLADE TERMINAL DESIGN INFORMATION NOT SHOWN ON THIS DRAWING SEE EWCAP DRW. NO. EWCAP-001
 - A FULL SHROUD ON THE MATING CONNECTOR IS REQUIRED TO INSURE THAT THE CONNECTOR-HEADER POLARIZATION FEATURES (OPTIONS A THRU D) WILL FUNCTION. THE FULL SHROUD ALSO PREVENTS SCOOP DAMAGE TO THE HEADER PINS. REFER TO "SAE/USCAR-12 CONNECTOR DESIGN GUIDE LINES" FOR ADDITIONAL INFORMATION.
 - REFER TO USCAR/EWCAP PART LIST AS FOUND ON WEBSITE <http://www.uscarteams.org>
 - THIS IS A 100% CAD GENERATED PART. THE CAD MATHEMATICAL DATA IS THE MASTER FOR THIS PART. FOR DIMENSIONAL OR ANY INFORMATION NOT SHOWN ON THIS DRAWING, ANALYZE THE CAD MODEL.



B19 SURFACE MUST BE FREE OF SURFACE DEFECTS AND PARTING LINES FOR SEALING ALL AROUND



EWCAP P/N	OPTION	MATING CONNECTOR COLOR
150-S-016-2-D01	D	BLACK
150-S-016-2-C01	C	DK GRAY
150-S-016-2-B01	B	LT GRAY
150-S-016-2-A01	A	BLACK

REV	DATE	BY	CHK	DESCRIPTION
162	08-03-20	GE	MV	D CHARTED DIMENSION ADDED FOR WITH AND WITHOUT CLIP-SLOT
132				C5 UPDATED CALL OUT FOR THE REVISION OF GD&T FROM ASME Y14.5-1994 TO Y14.5-2009 IN THE NOTES
132				C4 UPDATED THE STANDARD NOTICE TO THE LATEST TEMPLATE
132				C3 ADDED PLANE 2
132				C2 ADDED PLANE 1
132	04-28-17	MV	KB	C1 ADDED CALL OUT "CENTER PLANES ESTABLISHED BY DATUM B"
095				B22 CHANGED ISO VIEW SCALE TO 4:1, WAS 1:1
095				B21 ADDED PARTING LINE NOTE TO DETAIL A, REMOVED NOTE BACK ANGLE OPTIONAL FROM 5°
095				B20 CORRECTED CHRYSLER GROUP LLC NOMENCLATURE ADDED LEGAL NOTE AND EWCAP TO TITLE BLOCK
095				B19 MOVED NOTE TO SECTION B-B
095				B18 UPDATED NOTES
095				B17 ADDED 0.25° MAX DRAFT ANGLE ALL AROUND
095				B16 ADDED 5.50
095				B15 ADDED AT TANGENT NOTE
095				B14 REMOVED DATUM D
095				B13 ADDED BASIC DIMENSIONS FOR PROFILE CONTROL
095				B12 ADDED 0.20 A B
095				B11 DIMENSION TO DATUM A
095				B10 SEALING SURFACE DIMENSIONS MOVED TO SECTION C-C
095				B9 ADDED SECTION C-C
095				B8 REMOVED 15.20 AND 2.50 FROM SECTION A-A
095				B7 ADDED DRAFT ANGLE DIRECTION
095				B6 REMOVED 0.80 ±0.10/-0.20 ALL AROUND
095				B5 REPLACED WALL THICKNESS CONTROL WITH PROFILE OF A SURFACE
095				B4 ADDED R(6.47)
095				B3 ADDED 0.70±0.15 ALL AROUND
095				B2 UPDATED CONNECTOR COLORS
095	03-22-12	KC	MV	B1 SURFACE 'D' RELOCATED TO 3.50 WAS AT 8.20
A	10-31-02	DG	JC	RELEASED
CHANGE SERIAL NUMBER	LET	REVISION RECORD		DATE DWN CHK

TOLERANCES (UNLESS OTHERWISE SPECIFIED)		DIMENSIONS ARE IN MILLIMETERS		THIRD ANGLE PROJECTION		
EWCAP						
SCALE	4 - 1	DRAWN BY	G.ELLIOTT	CHECKED BY	M.VANSLAMBROUCK	
TITLE	DIRECT CONNECT INTERFACE				DATE	08-03-20
	16 WAY (2 X 8) 1.5MM SEALED MALE					
SHEET	DRAWING NUMBER	SIZE	DO NOT SCALE DRAWING	REVISION LEVEL		
OF	150-S-016-2-Z01	E	COMPUTER AIDED DRAWING	D		

