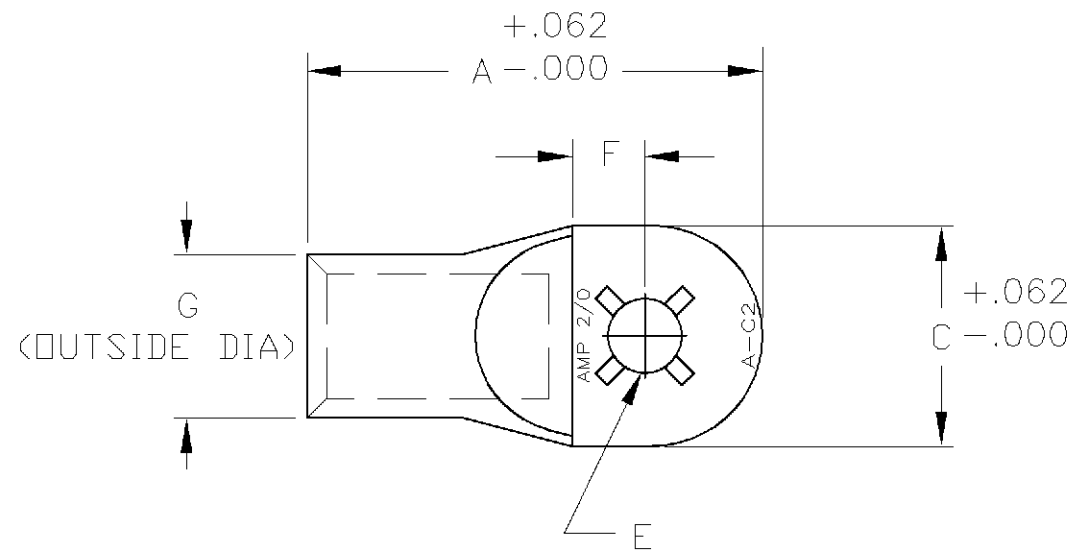
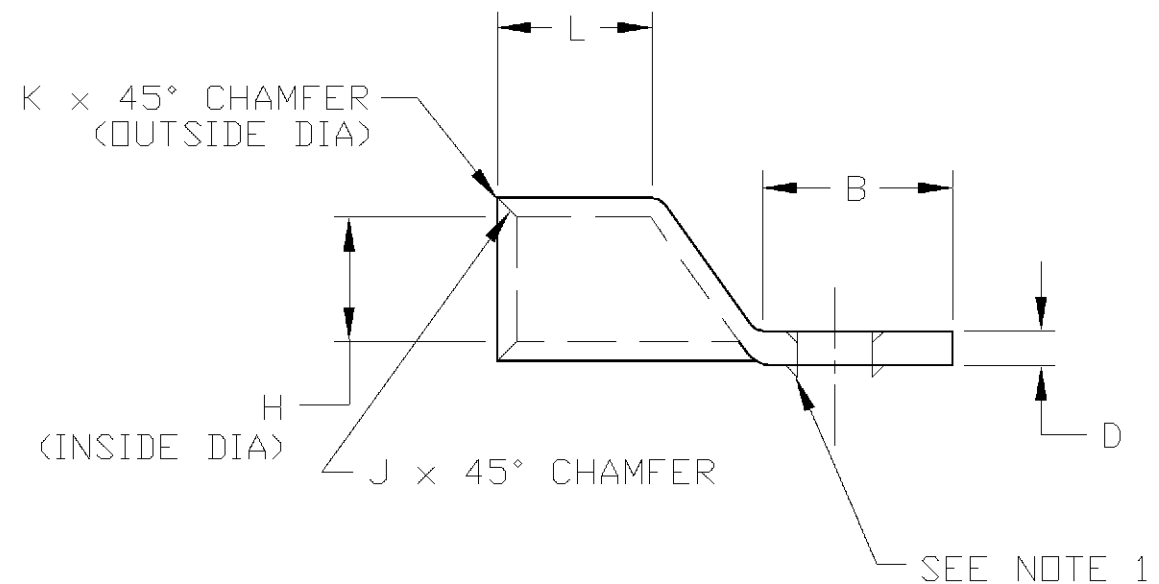


THIS DRAWING IS UNPUBLISHED. RELEASED FOR PUBLICATION .19
 © COPYRIGHT 19 BY AMP INCORPORATED. ALL RIGHTS RESERVED.

LOC	DIST	REVISIONS				
P	LTR	DESCRIPTION	DATE	DWN	APVD	
AA	27	F	REDWN & REV; OG1Z-0010-99	12MAY00	LMH LHS	

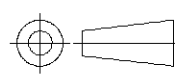


1. LOCKING LANCE FOR P/N -1 ONLY



.375	.850	.016	.031	.490	.650	.565	∅.39	.170	.925	1.080	2.25	606296-3
.500	.850	.016	.031	.490	.650	.565	∅.515	.170	.925	1.080	2.25	606296-2
.375	.850	.016	.031	.490	.650	.565	∅.39	.170	.925	1.080	2.25	606296-1
BOLT HOLE SIZE	L	K	J	H	G	F	E	D	C	B	A	PART NUMBER

DIMENSIONS, INCHES

THIS DRAWING IS A CONTROLLED DOCUMENT.		DWN L. HALL 18APR00	AMP AMP Incorporated Harrisburg PA 17105-3608
DIMENSIONS: INCHES		CHK L.H. SMITH 12MAY00	
		APVD B. ANTHONY 12MAY00	
		NAME AMP TUBULAR TERMINAL 2/0 (ROUND TONGUE)	
TOLERANCES UNLESS OTHERWISE SPECIFIED:		PRODUCT SPEC	SIZE A3
0 PLC ± 1 PLC ± 2 PLC ±.02 3 PLC ±.005 4 PLC ±.0005 ANGLES ±3°		APPLICATION SPEC	CAGE CODE 00779
MATERIAL HIGH CONDUCTIVITY WROUGHT COPPER		FINISH ELECTRO TIN PLATE	DRAWING NO C-606296
		WEIGHT -	RESTRICTED TO
CUSTOMER DRAWING		SCALE NTS	SHEET 1 OF 1
			REV F