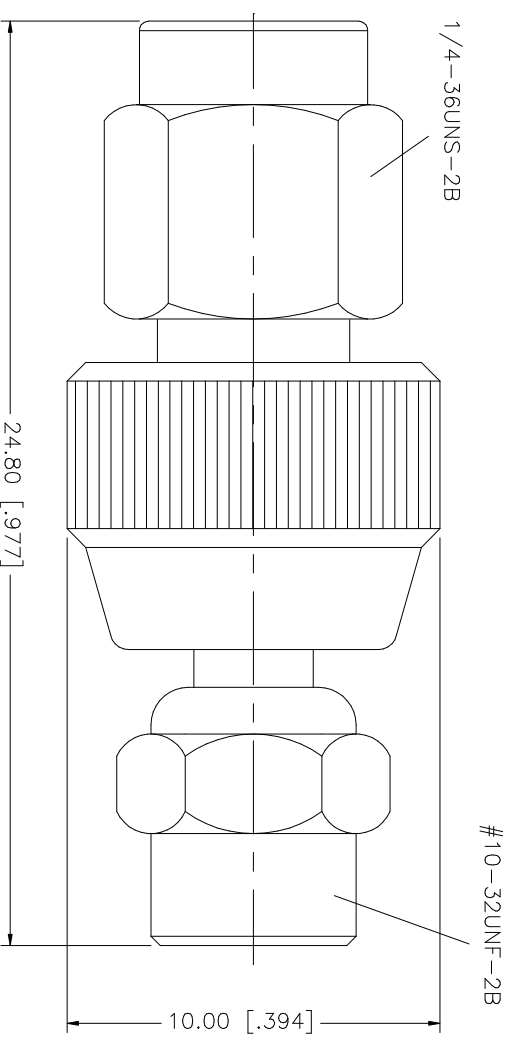


REV.	DATE	DESCRIPTION
A	03/20/03	UPDATE PART DESCRIPTION



8					UNLESS OTHERWISE SPECIFIED DIMENSIONS ARE IN MILLIMETERS. DIMENSIONS IN [] ARE IN INCHES AND FOR CUSTOMER REFERENCE ONLY.	APPROVALS	DATE	Amphenol Connex PART DESCRIPTION SMA PLUG TO SMC PLUG ADAPTER		
7				UNLESS OTHERWISE SPECIFIED TOLERANCES FOR MILLIMETERS ARE:	DRAWN	G.R.S.	03/20/03			
6				0.5 - 8mm ± 0.20mm	CHECKED					
5				8 - 30mm ± 0.40mm	ISSUED					
4				30 - 120mm ± 0.50mm	SHEET	1	OF 1			
3	CONTACT PIN	BER. COPPER			UNLESS OTHERWISE SPECIFIED TOLERANCES FOR INCHES ARE:					
2	INSULATOR	TEFLON			.020 - .315 = ± 0.002"	CAD FILE				
1	BODY	BRASS			.315 - 1.180 = ± 0.015"	C:/242/242177.DWG				
	DESCRIPTION	MATERIAL	FINISH	QTY	DO NOT SCALE DRAWING					
						DWG. NO.	242177.DWG	REV. A	SIZE A	SCALE NA