

4

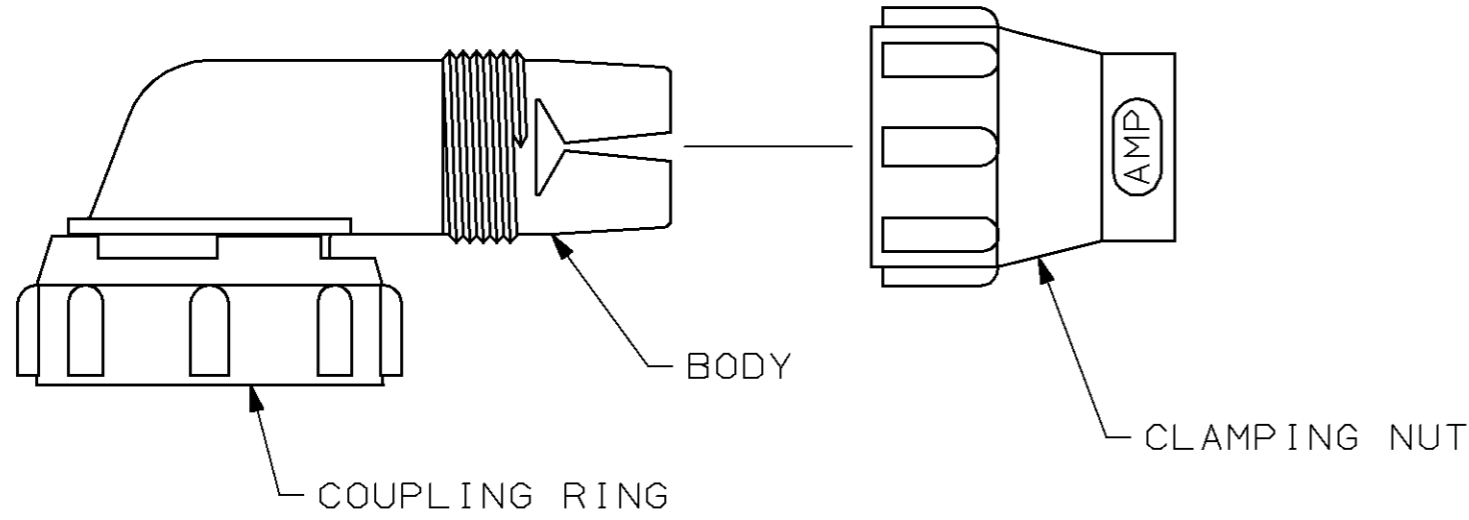
3

2

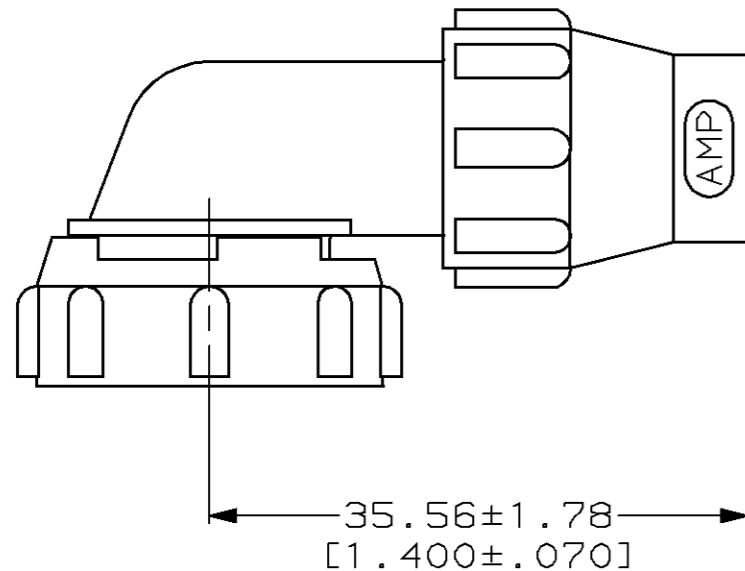
1

THIS DRAWING IS UNPUBLISHED. RELEASED FOR PUBLICATION ,19 .
© COPYRIGHT 19 BY AMP INCORPORATED. ALL RIGHTS RESERVED.

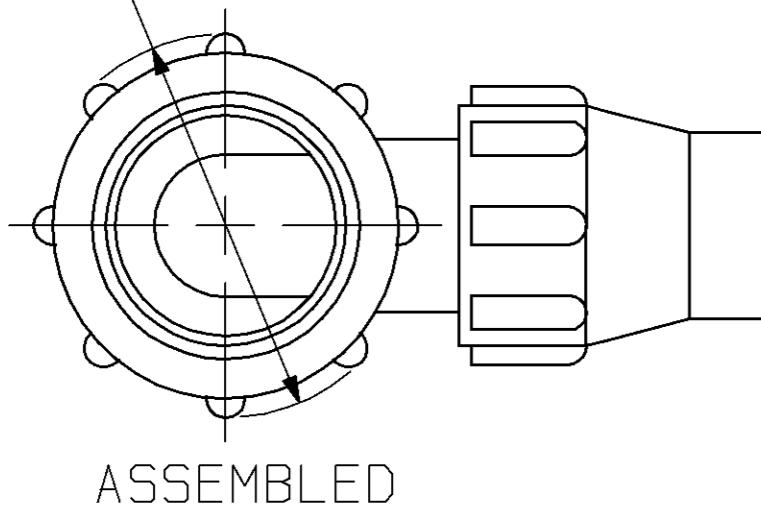
LOC	DIST	REVISIONS				
P	LTR	DESCRIPTION	DATE	DWN	APVD	
FT	4	0	RLSE PER NPR 5708 WAS 98-4998-4	22 SEP 98	-	-



- 1. COUPLING RING, BODY AND CLAMPING NUT POLYESTER, BLACK.
- 2. MAX OUTSIDE CABLE DIAMETER 9.14 [0.360].
- 3. CLAMPING RANGE DIA 9.14 - 8.20 [0.360 - 0.323].



∅26.04 MAX
[1.025]



213982-1
PART NUMBER

THIS DRAWING IS A CONTROLLED DOCUMENT.		DWN C. OBERMAN 22 SEP 98	AMP AMP Incorporated Harrisburg, PA 17105-3608
		CHK K. DOWHOWER 23 SEP 98	
		APVD K. DOWHOWER 23 SEP 98	NAME
DIMENSIONS: mm [INCHES]		PRODUCT SPEC	KIT, STRAIN RELIEF, RIGHT ANGLE, UNASSEMBLED, SIZE 13, CPC
TOLERANCES UNLESS OTHERWISE SPECIFIED:		APPLICATION SPEC	SIZE
0 PLC ±-		WEIGHT	CAGE CODE
1 PLC ±-		CUSTOMER DRAWING	DRAWING NO
2 PLC ±-		SCALE	RESTRICTED TO
3 PLC ±-		2:1	1 OF 1
4 PLC ±-			REV
ANGLES ±-			0
MATERIAL	FINISH	A300779 C- 213982	
△	-		