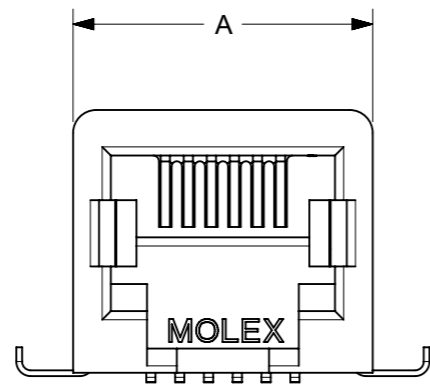
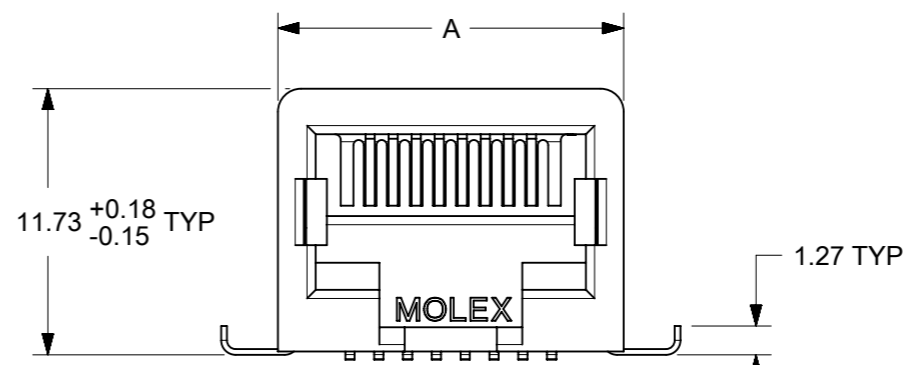


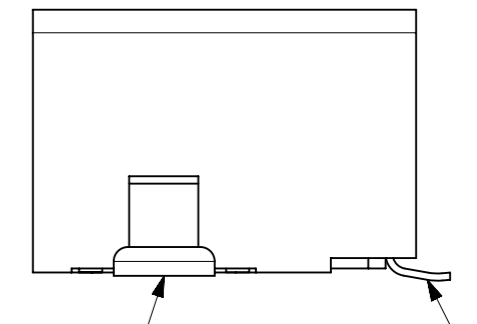
HOUSING SIZE	CIRCUIT SIZE	DIM. A	DIM. B
6	6	13.21	6.35
6	4	13.21	3.81
6	2	13.21	1.27
8	8	15.24	8.89
8	6	15.24	6.35



6 CIRCUIT ASSEMBLY



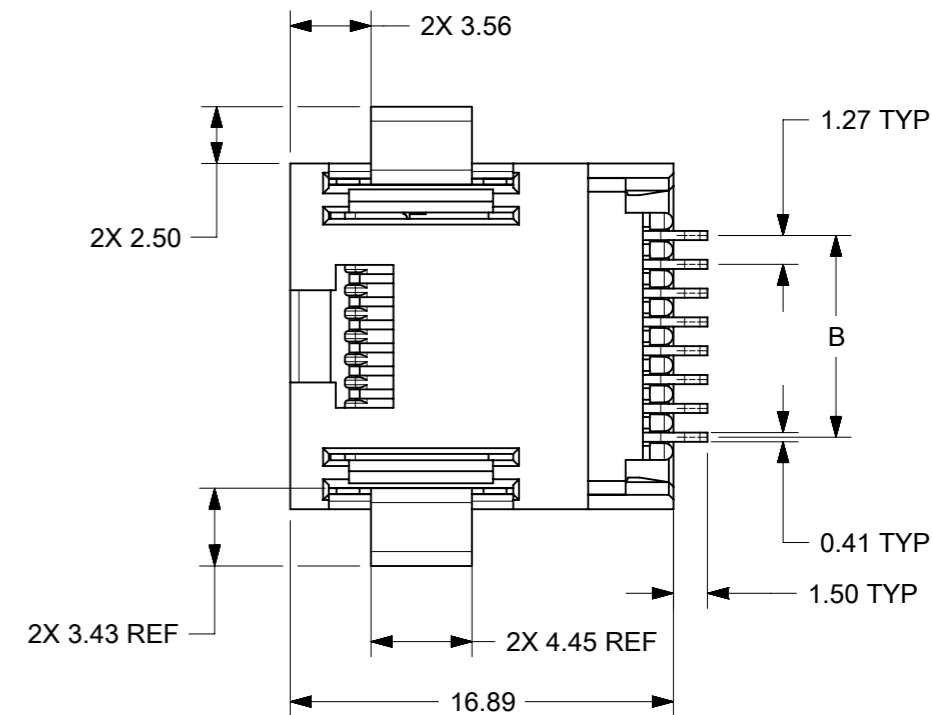
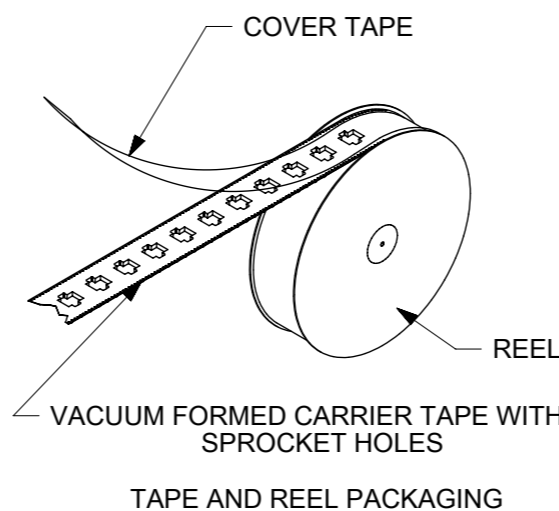
8 CIRCUIT ASSEMBLY



FITTING NAILS
SEE NOTE 5

TERMINAL TAILS
SEE NOTE 5

ASSEMBLY ITEM NO.	CONNECTOR SIZE	CIRCUIT SIZE	TERMINAL PLATING	TAPE & REEL PACKAGING No.
43743-6021	6	6	A	PK-70873-7011
43743-6121	6	4	A	PK-70873-7011
43743-8121	8	8	A	PK-70873-7012
43743-6221	6	2	A	PK-70873-7011



NOTES:

1) MATERIAL:

HOUSING: LCP, GLASS FILLED, UL94V-0, COLOR: BLACK
 INSULATOR: NYLON(PA), GLASS FILLED, UL94V-0, COLOR: BLACK
 TERMINALS: PHOSPHOR BRONZE, 0.30 mm THICK
 FITTING NAILS: BRASS, 0.25 mm THICK

2) FINISH:

TERMINALS:

A = SELECT GOLD IN CONTACT AREA: 0.00127 mm MIN.,
 *SELECT MATTE TIN IN PC TAIL AREA: 0.00254 mm MIN.,
 WITH OVERALL NICKEL UNDERPLATE: 0.00127 mm MIN.,
 B = SELECT GOLD IN CONTACT AREA: 0.00076mm MIN.,
 *SELECT MATTE TIN IN PC TAIL AREA: 0.00254 mm MN.,
 WITH OVERALL NICKEL UNDERPLATE: 0.00127 mm MIN.,
 C = SELECT GOLD IN CONTACT AREA: 0.00038 mm MIN.,
 *SELECT MATTE TIN IN PC TAIL AREA: 0.00254 mm MIN.,
 WITH OVERALL NICKEL UNDERPLATE: 0.00127 mm MIN..

FITTING NAILS:

*2.54 MICROMETER MATTE TIN OVER 1.27 MICROMETER NICKEL UNDERPLATE
 *THE PRIMARY SHIPPING CARTON WILL BE LABELED "COMPLIANT TO RoHS
 DIRECTIVE 2002/95/EC AND ELV ANNEX II OF DIRECTIVE 2000/53/EC".
 CARTONS WITHOUT THIS LABEL MAY CONTAIN PRODUCT WITH TIN-LEAD
 IN THE PC TAILS AND/OR FITTING NAILS.

3) PRODUCT SPECIFICATION AND PROCESSING PARAMETERS: PS-43743-0001.

4) PACKAGING SPECIFICATION:

CONNECTOR ASSEMBLIES TO BE PACKAGED USING TAPE & REEL SYSTEM.

5) COPLANARITY SPECIFICATION:

WHEN AN ASSEMBLY IS PLACED UPON A LEVEL SURFACE, THE MAXIMUM
 GAP BETWEEN THE LEVEL SURFACE AND ALL TERMINAL TAILS AND
 BOTH FITTING NAILS IS 0.15 mm.

6) CONFORMS TO FCC REGULATION PART 68.5 FOR MODULAR JACKS.

7) THIS PART CONFORMS TO CLASS B REQUIREMENTS OF COSMETIC
 SPECIFICATION PS-45499-002.

SYMBOLS		THIS DRAWING CONTAINS INFORMATION THAT IS PROPRIETARY TO MOLEX ELECTRONIC TECHNOLOGIES, LLC AND SHOULD NOT BE USED WITHOUT WRITTEN PERMISSION		CURRENT REV DESC:		molex		
▽ = 0	mm	SCALE	3:1					
▽ = 0	GENERAL TOLERANCES (UNLESS SPECIFIED)							
▽ = 0	ANGULAR TOL		± 0.5°					
▽ = 0	4 PLACES	±		EC NO: 635599	2020/04/09			
▽ = 0	3 PLACES	±		DRWN: AFENG02	2020/04/09			
▽ = 0	2 PLACES	± 0.25		CHK'D: KLANG	2020/04/09			
▽ = 0	1 PLACE	± 0.36		APPR: KLANG	2020/04/09			
▽ = 0	0 PLACES	±		INITIAL REVISION:				
□ = 0	DRAFT WHERE APPLICABLE MUST REMAIN WITHIN DIMENSIONS			DRWN: AFENG02	2018/03/23			
▽ = 0	THIRD ANGLE PROJECTION			APPR: KLANG	2018/03/29			
		DRAWING	A3-SIZE	SERIES	43743	DOCUMENT NUMBER	437438121	
		MATERIAL NUMBER	SEE TABLE	CUSTOMER		DOC TYPE	PSD	
		SHEET NUMBER	1 OF 2			DOC PART	000	
						REVISION	A1	

