

MATERIALS AND FINISHES:

HOUSING: ZINC ALLOY / PLATED SEE TABLE

CENTER CONTACT: BRASS / PLATED GOLD

INSULATOR: TEFLON

OUTER CONTACT: BERYLLIUM COPPER / PLATED SEE TABLE

FERRULE: BRASS / PLATED SEE TABLE

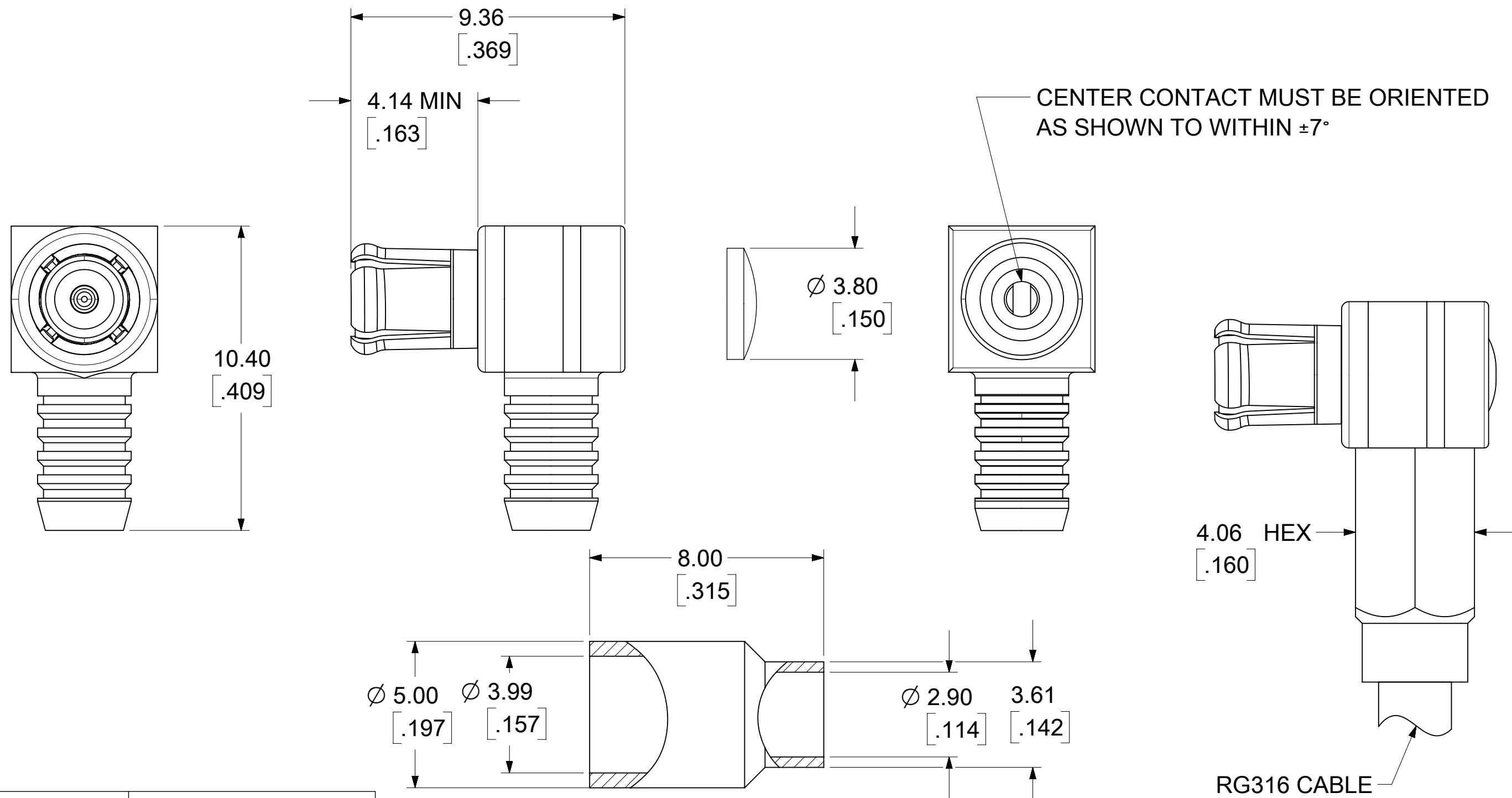
CAP: STAINLESS STEEL (FOR 73366-0010/-0019)
PASSIVATED

CAP: BRASS (FOR 73366-0011/-0012/-0017/-6350)
PLATED GOLD

NOTE:

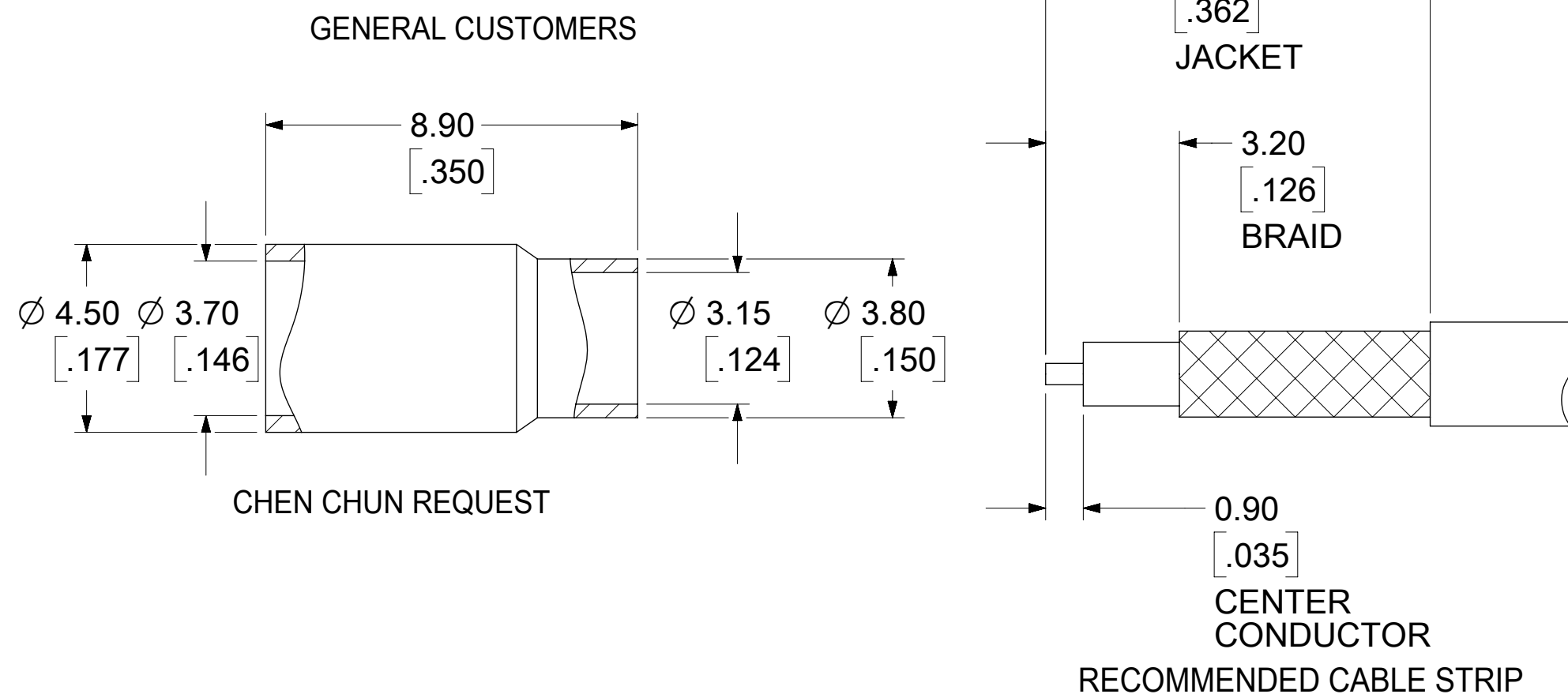
73366-0011'S FERRULE FOR GENERAL CUSTOMERS

73366-0012'S FERRULE FOR CHEN CHUN REQUEST



73366-6350	GOLD PLATING, BULK PACK	GOLD 30μ-in	GOLD 30μ-in
73366-0019	NICKEL PLATING, BULK PACK	NICKEL 100μ-in	GOLD 10μ-in
73366-0018	BULK, 73366-0010 W/O FERRULE	GOLD 5μ-in	GOLD 10μ-in
73366-0017	GOLD PLATING, BULK PACK	GOLD 5μ-in	GOLD 10μ-in
73366-0016	73366-0012, SMALL TRAY	GOLD 5μ-in	GOLD 10μ-in
73366-0015	73366-0011, SMALL TRAY	GOLD 5μ-in	GOLD 10μ-in
73366-0014	73366-0010, SMALL TRAY	GOLD 5μ-in	GOLD 10μ-in
73366-0013	1 PIECE 73366-0010 PER BAG	GOLD 5μ-in	GOLD 10μ-in
73366-0012	GOLD PLATING, BULK PACK	GOLD 5μ-in	GOLD 10μ-in
73366-0011	GOLD PLATING, BULK PACK	GOLD 5μ-in	GOLD 10μ-in
73366-0010	NICKEL PLATING, BULK PACK	GOLD 5μ-in	GOLD 10μ-in
PART NO.	BODY PLATING & PACKAGING	OUTER CONTACT	CENTER CONTACT

73392-0050	ASSEMBLY INSTRUCTIONS FOR 73366-0010/0011
PS-89675-1830	PRODUCT SPECIFICATION
SPECIFICATION	DESCRIPTION



FUNCTIONAL SYMBOLS	THIS DRAWING CONTAINS INFORMATION THAT IS PROPRIETARY TO MOLEX ELECTRONIC TECHNOLOGIES, LLC AND SHOULD NOT BE USED WITHOUT WRITTEN PERMISSION			
HYBRID	DIMENSION UNITS	SCALE	CURRENT REV DESC: ADD ASSEMBLY INSTRUCTION NOTE PER EWR15198-A	
NTS				
GENERAL TOLERANCES (UNLESS SPECIFIED)	EC NO: 706398			
ANGULAR TOL ± 2.0°	DRWN: CWEI02 2022/05/11			
4 PLACES ±	CHK'D: YCHENG 2022/05/17			
3 PLACES ±	APPR: YCHENG 2022/05/17			
2 PLACES ±	INITIAL REVISION:			
1 PLACE ±	DRWN: YCHENG 2005/03/15			
0 PLACES ±	APPR: MISEN 2003/02/21			
DRAFT WHERE APPLICABLE MUST REMAIN WITHIN DIMENSIONS	THIRD ANGLE PROJECTION	DRAWING	SERIES	MATERIAL NUMBER
		C-SIZE	73366	SEE TABLE
		CUSTOMER	SHEET NUMBER	
		GENERAL MARKET	1 OF 1	

molex

MCX PLUG R/A RG316
50 OHMS MCX-PC/RA

PRODUCT CUSTOMER DRAWING

DOCUMENT NUMBER: SD-73366-001
DOC TYPE: PSD
DOC PART: 001
REVISION: G11