

**pui**  
**audio**™ inc  
a projects unlimited company

## AS04008PO-2-R 40 x 28.3mm Speaker

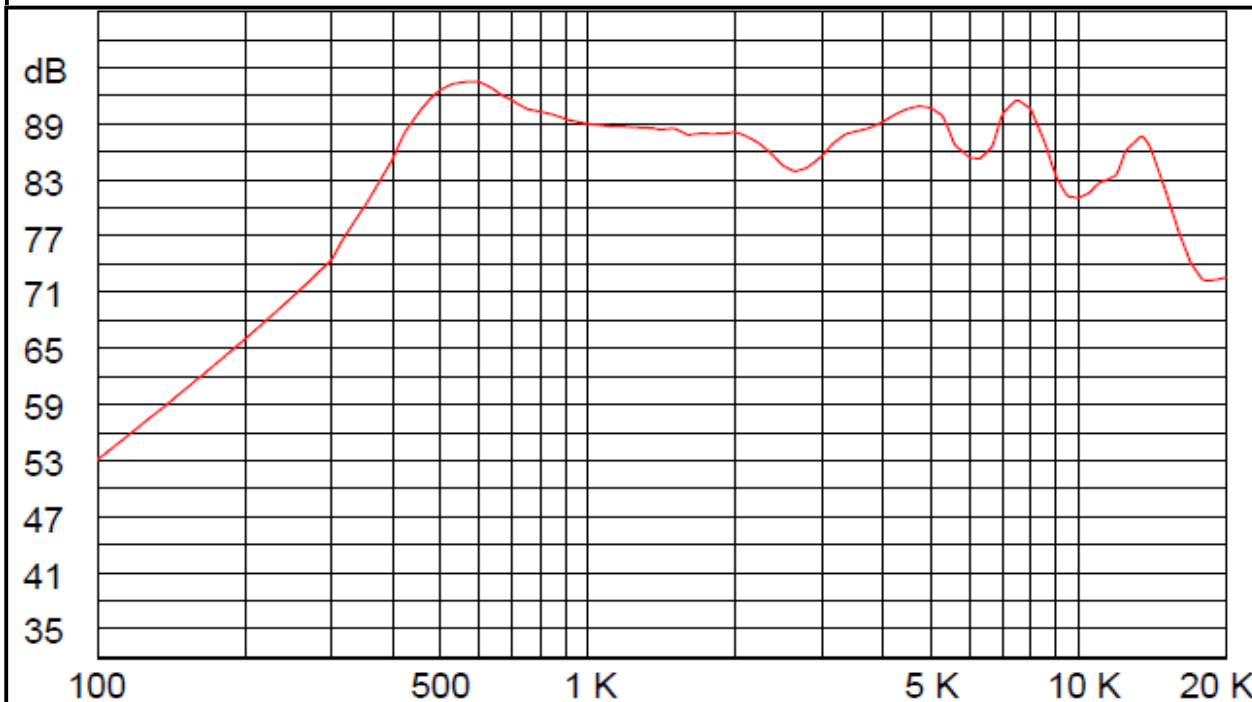


3541 Stop Eight Road • Dayton, Ohio 45414

### Product Overview

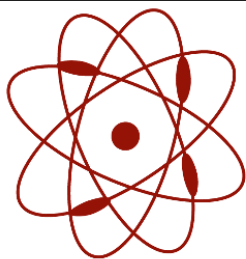
- 40 x 28.3mm oval speaker with Neodymium magnet for 84 dB sensitivity
- 2W continuous, 4W maximum power handling and 8Ω impedance
- Paper cone with cloth surround for smooth, natural sound

Frequency Response (1W @ 0.5 meters)



RoHS Compliant (Pb-free & Cd-free)





**pui**  
**audio**™ inc  
a projects unlimited company

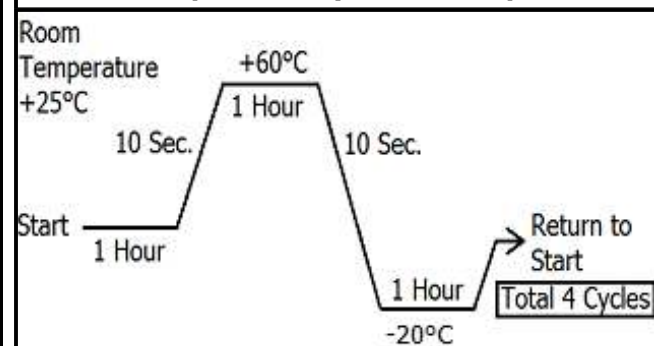
## AS04008PO-2-R 40 x 28.3mm Speaker

### Mechanical and Environment Testing

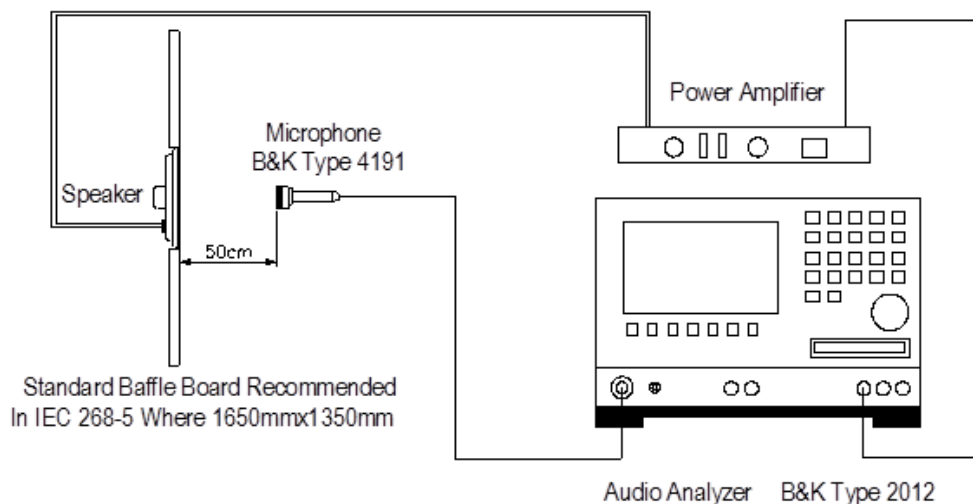
Test Description	Test Condition
High Temperature	60°C ±2°C with random humidity for 96 hours
Low Temperature	-20°C ±2°C with random humidity for 96 hours
Humidity	40°C with 90% to 95% relative humidity for 96 hours
Vibration	1.5 mm movement modulated at 10 to 55 Hz for 2 hours
Drop Test	100 cm free fall onto 20mm thick board, 1 cycle in each direction on X, Y, and Z axis, 6 total
Temperature Cycle Test	-20°C to 60°C, 4 cycles (refer to Temperature Cycle Test Graph)

After tests, speaker shall rest for 1 hours. SPL shall not deviate ±4 dB from pre-test measurement.

### Temperature Cycle Test Graph



### Frequency Response and SPL Measurement Setup



### Material Listing

(All materials meet GU-001)

Part Name	Material
Frame	SPCC
Cloth cone	Cloth
Yoke	1.5T Steel
Dust cap	Paper
Voice coil	Paper
Magnet	NdFeB
Plate	2.0t Steel
PCB	Epoxy

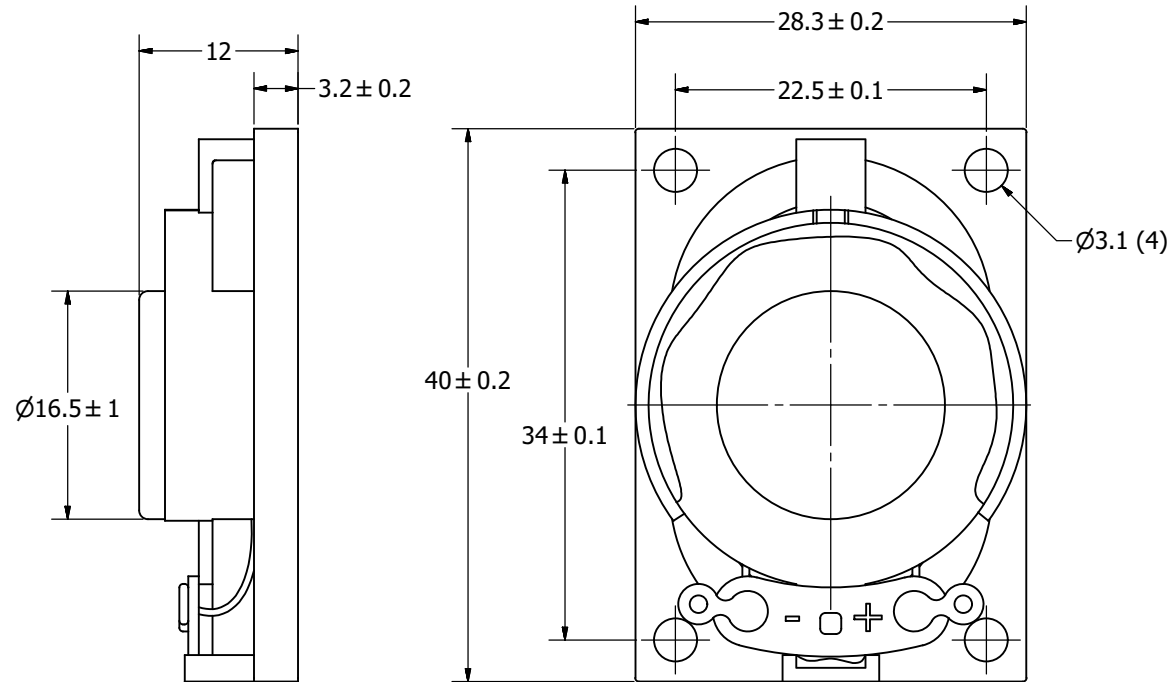
# SPECIFICATIONS

PARAMETERS	VALUES	UNITS
RATED INPUT POWER	1	W
MAX INPUT POWER	2	W
IMPEDANCE	8 ± 15%	OHM
OUTPUT SPL @ 1W/0.5M (AT 1.0, 1.2, 1.5, 2.0 kHz)	84 ± 3	dBa
DISTORTION (MAX.)	5%	-
RESONANT FREQUENCY	450 ± 20%	Hz
FREQUENCY RANGE	450 ~ 20000	Hz
HOUSING MATERIAL	ABS	-
CONE MATERIAL	PAPER	-
MAGNET MATERIAL	Nd-Fe-B	-
OPERATING TEMPERATURE	-20 ~ +60	°C
WEIGHT	13	grams

THIS DOCUMENT CONTAINS DATA PROPRIETARY TO PROJECTS UNLIMITED, INC. ANY USE OR REPRODUCTION, IN ANY FORM, WITHOUT PRIOR WRITTEN PERMISSION OF PROJECTS UNLIMITED, INC. IS PROHIBITED.  
©2003, Projects Unlimited Inc.


# REVISION HISTORY

LTR	DESCRIPTION	DATE	APPROVED
-	RELEASED FROM ENGINEERING	6/29/2006	
A	REVISED CONE MATERIAL	3/16/2007	R.W.
B	REVISED TO INVENTOR 3-D DRAWING TEMPLATE	5/19/2008	B.R.
C	REVISED SPEAKER HEIGHT	5/5/2015	M.L.



## NOTES:

1. ALL DIMENSIONS ARE IN MILLIMETERS.
2. SPECIFICATIONS SUBJECT TO CHANGE OR WITHDRAWAL WITHOUT NOTICE.
3. THIS PART IS RoHS 2011/65/EU COMPLIANT.

UNLESS OTHERWISE SPECIFIED: DIMENSIONS ARE IN MILLIMETERS, TOLERANCES ARE $\pm 0.5$ AND ANGLES ARE $\pm 3^\circ$ .	SIZE	Designed by	Date	Checked by	Date	Approved by	Date	Drawn Date
	A3	J.D.	6/28/2006	E.P.	6/28/2006	B.R.	6/28/2006	5/19/2008
AS04008PO-2-R.idw		 <b>pui audio</b> a projects unlimited company				<b>AS04008PO-2-R</b> Speaker		
						Edition	Sheet	
						-	1 / 1	