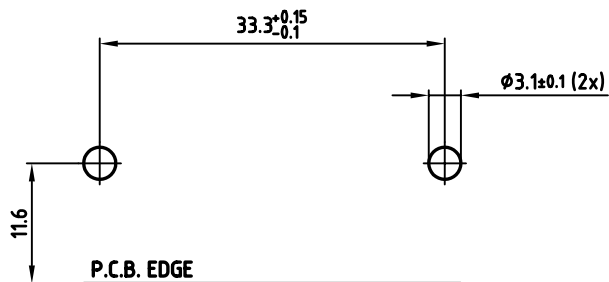
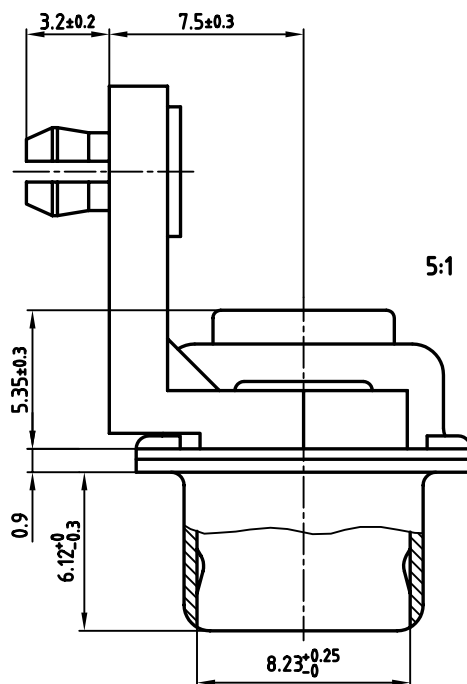


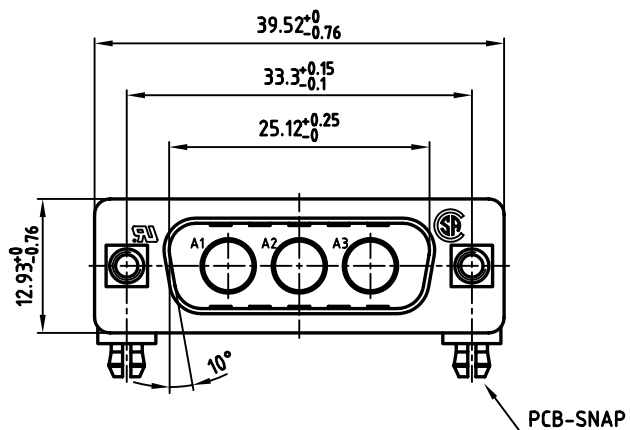
used for: D-SUB COMBINATION



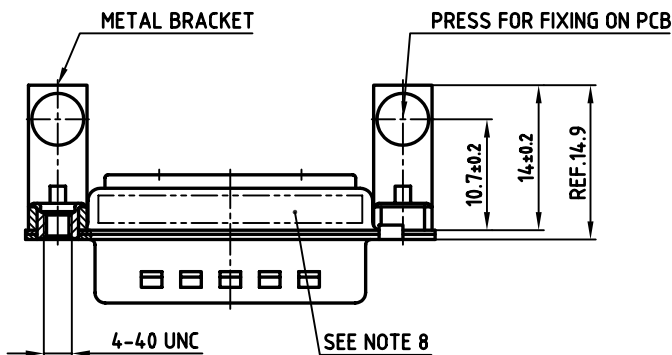
P.C.B. HOLE DRILLINGS



5:1



PCB-SNAP

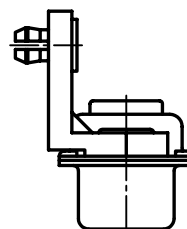


METAL BRACKET

PRESS FOR FIXING ON PCB

4-40 UNC

SEE NOTE 8



NOTES:

1. METALSHELLS: STEEL; min. 320µ" TIN
2. INSULATORS: PBT GF UL 94 V-0, GREEN
3. NO CONTACTS ON POS. A1 - A3
4. METAL BRACKET: DIE-CASTING; min. 320µ" TIN over 80µ" NICKEL
5. THREADED INSERT: COPPER ALLOY; min. 200µ" TIN over 80µ" NICKEL
6. PCB-SNAP: COPPER ALLOY; min. 200µ" TIN over 80µ" NICKEL
PCB-HOLE: $\phi 3.1 \pm 0.1$; PCB THICKNESS 1.6mm
7. MAXIMUM TORQUE VALUE FOR THREAD: 6" LBS
8. CONNECTOR IS PART MARKED: 3003W3PXX99G40X CONEC ABC
9. = CHECK DIMENSION



APPROVAL * FREIGABE * DEBLOCAGE * AUTORIZACION * APPROVAL	
CUSTOMER APPROVAL DATE:	
NAME:	TITLE:
COMPANY NAME:	
APPROVAL * FREIGABE * DEBLOCAGE * AUTORIZACION * APPROVAL	

THIS DRAWING MAY NOT BE COPIED OR REPRODUCED IN ANY WAY, AND MAY NOT BE PASSED ON TO A THIRD PARTY, WITHOUT WRITTEN PERMISSION. OWNERSHIP AND COPYRIGHT OF CONEC GmbH. DO NOT ALTER CAD DRAWING BY HAND

rev.	description	date	name

tolerance			scale: 2:1 (5:1)	
dim. in mm			material: SEE NOTES	
2005	date	name		
drawn	23.08.	Lehmenkühler		
appd.	23.08.	Mickenbecker		
norm				
d-old				
		title: D-SUB COMBINATION MALE		
		3W3P with threaded insert, metal bracket and clip		
dwg no:		AutoCAD 2004	DIN-A	
		13K1A1464	3	
			sh: 1/1	
part no:		3003W3PXX99G40X		

title: D-SUB COMBINATION MALE	
3W3P with threaded insert, metal bracket and clip	
dwg no:	AutoCAD 2004
	13K1A1464
	3
	sh: 1/1
part no:	3003W3PXX99G40X