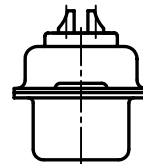
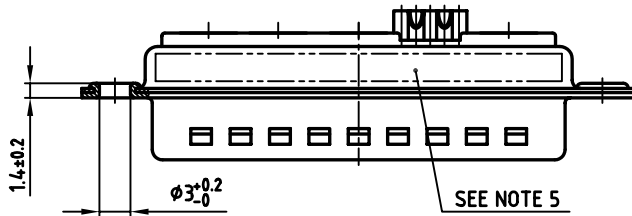
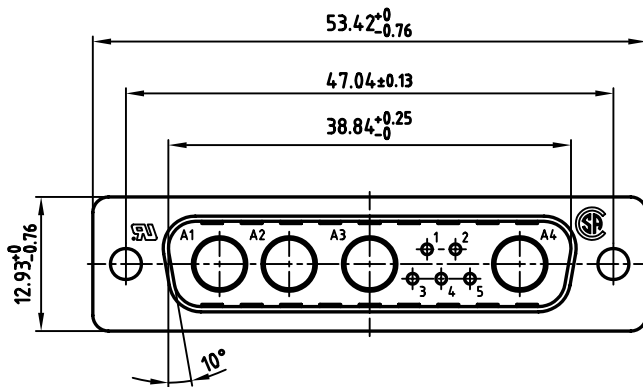
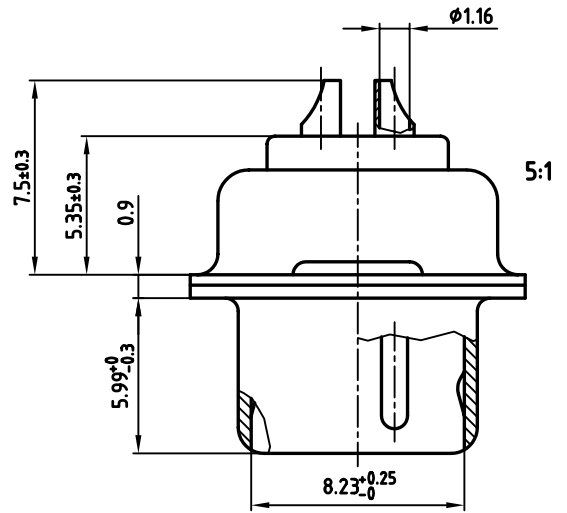


used for: D-SUB COMBINATION



**NOTES:**

1. METALSHELLS: STEEL; min. 320µ" TIN
2. INSULATORS: PBT GF UL 94 V-0, GREEN
3. SIGNAL CONTACTS: COPPER ALLOY  
PLATING: 30µ" HARD GOLD OVER min. 50µ" NICKEL  
SOLDER CUP ACCEPTS CABLE AWG 20
4. NO CONTACTS ON POS. A1 - A4
5. CONNECTOR IS PART MARKED: 3009W4PCM99A10X CONEC ABC
6.    = CHECK DIMENSION

Directive 2002/95 EC  
"RoHS"  
Compliant

APPROVAL # FREIGABE # DEBLOCAGE # AUTORIZACION # APPROVAL	
CUSTOMER APPROVAL DATE:	
NAME:	TITLE:
COMPANY NAME:	
APPROVAL # FREIGABE # DEBLOCAGE # AUTORIZACION # APPROVAL	

THIS DRAWING MAY NOT BE COPIED OR REPRODUCED IN ANY WAY, AND MAY NOT BE PASSED ON TO A THIRD PARTY, WITHOUT WRITTEN PERMISSION. OWNERSHIP AND COPYRIGHT OF CONEC GmbH. DO NOT ALTER CAD DRAWING BY HAND

rev.	description	date	name

tolerance		
2004	date	
drawn	26.08.	name
appd.	27.08.	Mickenbecker
norm		
d-old		

scale: 2:1 (5:1)	
material: SEE NOTES	
title: <b>D-SUB COMBINATION MALE</b> 9W4P SOLDER CUP	
dwg no: AutoCAD 2004	DIN-A
13K1A1237	
part no: 3009W4PCM99A10X	