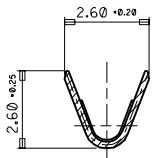
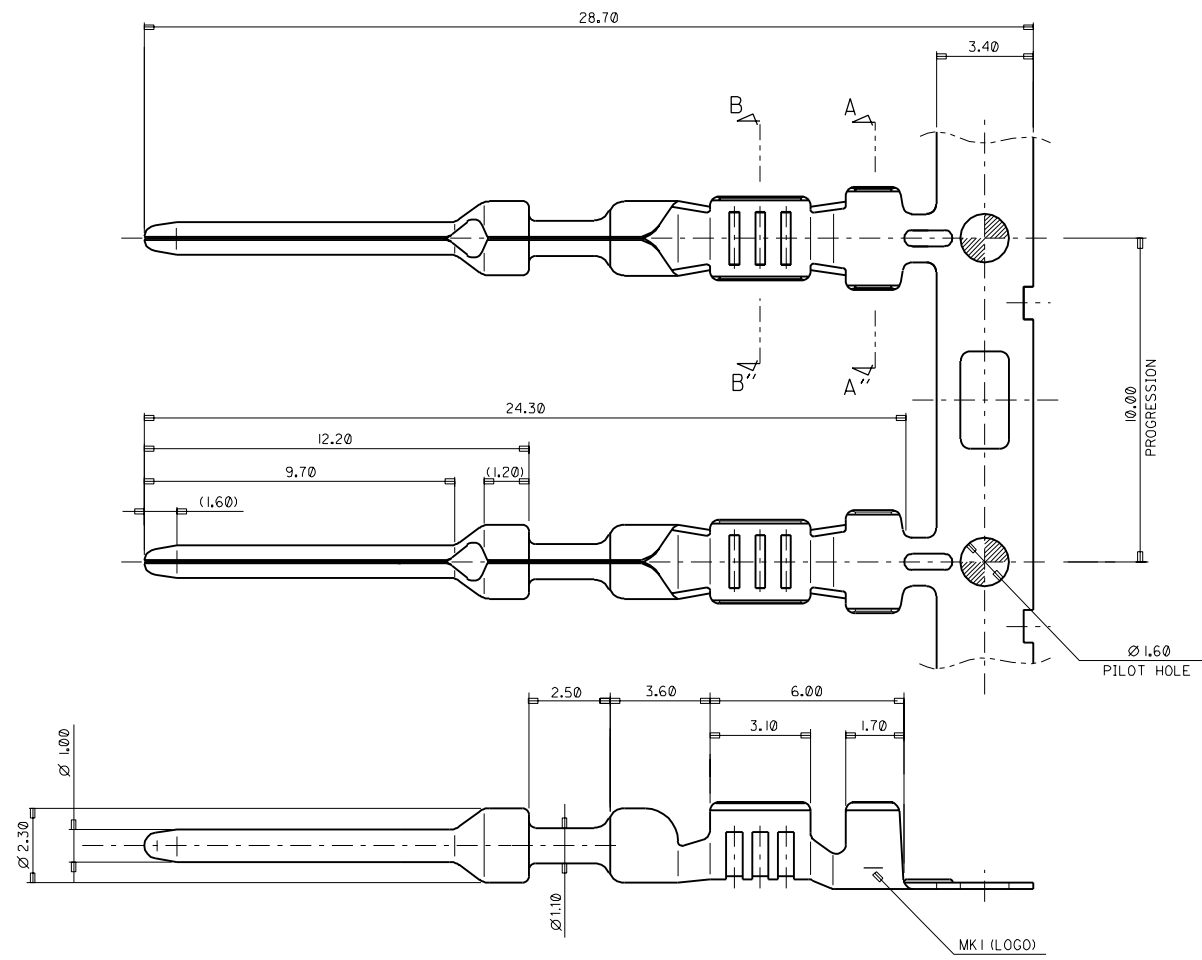
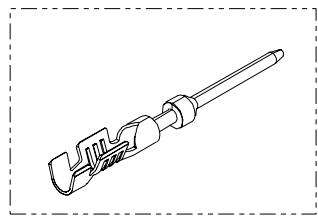


SECTION A-A''



SECTION B-B''



NOTE

1. MATERIAL: BRASS 0.25 mm THICKNESS.
PRE-TIN PLATE
2. RECOMMENDED LENGTH OF WIRE STRIP: 4.0 ~ 4.6.
3. WIRE RANGE: AVSS(AVS), 0.3 ~ 0.85 mm²
AWG, #22 ~ #8

		MATERIAL SEE NOTE		MOLEX MOLEX-KOREA CO.,LTD.	
		GENERAL TOLERANCE		DRAWN BY B.C.YOON	
		DIMENSION : ± 0.3		CHK'D BY	
		ANGLE : 1°		APP'D BY	
CHANGED TITLE		KOR997-0166	97.12.4	SCALE 10:1	
NEW RELEASED		ECN	97.11.6	TITLE: CIRCULOCK MALE TER'L	
LTR REVISION RECORD		ECN	DATE	SHEET 1/1	
		ASS'Y PART DESCRIPTION ENG. NO.		REV B	
REVISE ONLY ON CAD SYSTEM				ENG. NO. SD 35100 - 9002	