



NOTES: UNLESS OTHERWISE SPECIFIED

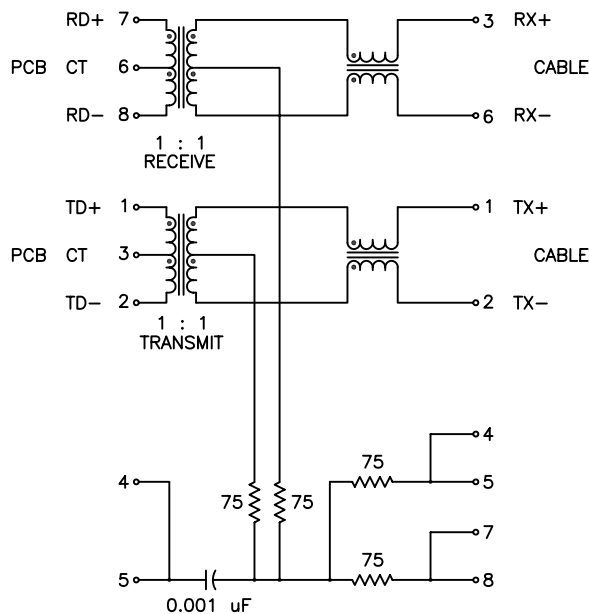
1. THIS COMPONENT CONFORMS TO UL60950. UL FILE NO. IS: E216117.

	WARNING: THIS COMPONENT IS RECOGNIZED BY ONE OR MORE SAFETY AGENCIES SUCH AS UL, VDE, CSA AND/OR TUV. ALL ENGINEERING CHANGES MUST HAVE PRIOR APPROVAL BY THE DESIGN CENTER QUALITY DEPARTMENT FOR SAFETY AGENCY COMPLIANCE.	ECN APPROVAL:
		QA APPROVAL:
		DATE:

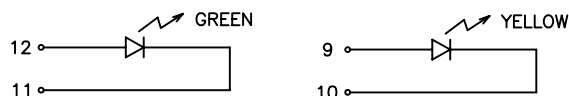
2.

	NOTICE: THIS IS A RoHS COMPLIANT COMPONENT/PRODUCT. ALL ENGINEERING CHANGES MUST HAVE PRIOR APPROVAL BY THE DESIGN CENTER.

3. PLASTIC HOUSING: THERMOPLASTIC MATERIAL WITH FLAMMABILITY RATING UL 94V-0 OR BETTER.
4. CONTACT BASE MATERIAL: PHOSPHOR BRONZE.
5. CONTACTS UNDERPLATE: 50 MICRONS DUCTILE NICKEL.
6. CONTACTS PLATING: 15 MICRO-INCH GOLD PLATING.
7. SOLDER TAIL PLATING MATERIAL: 120 MICRONS 100% TIN, MATTE FINISH.
8. METAL SHIELD: NICKEL PLATING ON COPPER ALLOY.
9. JACK CAVITY CONFORMS TO FCC RULES AND REGULATIONS PART 68 SUBPART F.
10. PCB PLATING: ENIG
11. SOLDERABILITY: CONFORMS TO ANSI/J-STD-002, IPC/EIA J-STD-003A.
12. OPERATING TEMPERATURE: -40°C TO +85°C
13. STORAGE TEMPERATURE: -50°C TO +125°C
14. JEDEC MOISTURE: LEVEL 1.
15. DIMENSIONS ARE IN INCHES [MILLIMETERS] WITH THE FOLLOWING TOLERANCES: [MILLIMETERS] ARE FOR REFERENCE ONLY.
.XX= ±.02 [±0.5]
.XXX= ±.010 [±0.25]



SCHMATIC



NOTE: COMPONENT VALUES ARE FOR REFERENCE ONLY REFER TO PCB SUBASSEMBLY FOR ACTUAL VALUES.

ELECTRICAL CHARACTERISTICS AT +25°C UNLESS OTHER SPECIFIED (FOR REFERENCE ONLY. USED FOR CUSTOMER INFORMATION.)

PARAMETER	SPECIFICATIONS		
OPERATING TEMPERATURE	-40°C TO +85°C		
URNS RATIO	1.00 ± 2%		
POLARITY	PER SCHEMATIC		
INSERTION LOSS	100 KHz	1-125 MHz	
	-1.2 dB MAX	-0.2-0.002*f ^{1.4} dB MAXIMUM	
RETURN LOSS (Z OUT = 100 OHM ±15%)	.1-30 MHz	30-60 MHz	60-80 MHz
	-16 dB MIN	-10+20*LOG ₁₀ (f/60 MHz) dB MIN	-10 dB MIN
INDUCTANCE (OCL) (MEDIA SIDE, -40°C+85°C)	350 uH MIN (MEASURED AT 100 KHz, 100 mVRMS AND WITH 8 mA DC BIAS)		
CROSSTALK, ADJACENT CHANNELS	1 MHz	10-100 MHz	
	-40 dB MIN	-50+17*LOG ₁₀ (f/10) dB MINIMUM	
COMMON MODE REJECTION RATIO	2 MHz	30-200 MHz	
	-50 dB MIN	-15+20*LOG ₁₀ (f/200) dB MINIMUM	
DC RESISTANCE 1/2 WINDING	.60 OHMS MAXIMUM		
DC RESISTANCE IMBALANCE	±.065 OHMS MAXIMUM (CENTER TAP SYMMETRY)		
INPUT - OUTPUT ISOLATION	1500 VRMS MINIMUM AT 60 SECONDS		

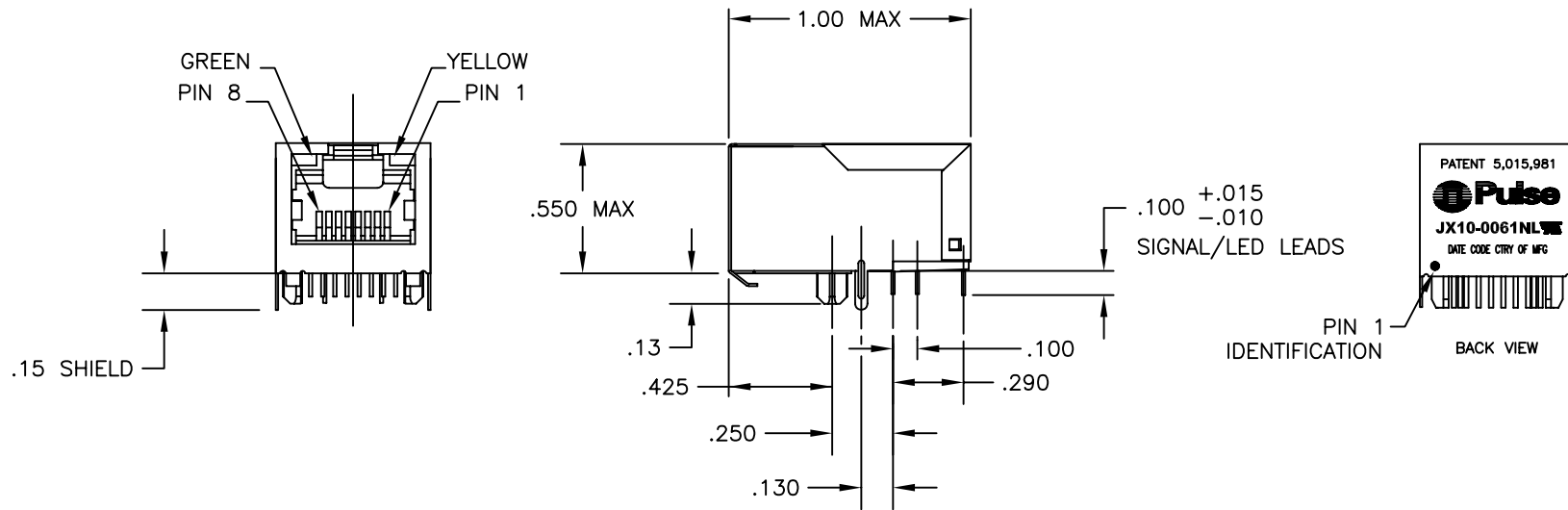
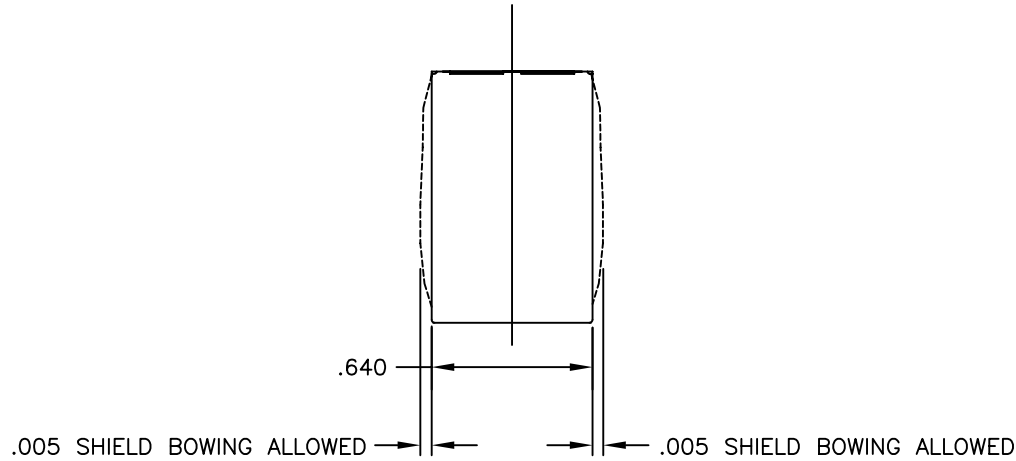
NOTE: f IS FREQUENCY IN MHz.

EMMITTED COLOR	GREEN	YELLOW
WAVELENGTH (nm)	565 nm	585 nm
BRIGHNESS (mCD)	8 TO 12 TYPICAL AT 20 mA	8 TO 12 TYPICAL AT 20 mA
VIEWING ANGLE	100°	100°
POWER DISSIPATION (Pd)	68 mW MAXIMUM	68 mW MAXIMUM
DC FORWARD CURRENT	25 mA MAXIMUM	30 mA MAXIMUM
REVERSE VOLTAGE (Vr)	5.0 V MAXIMUM	5.0 V MAXIMUM

NOTE: PER VENDOR'S SPECIFICATIONS

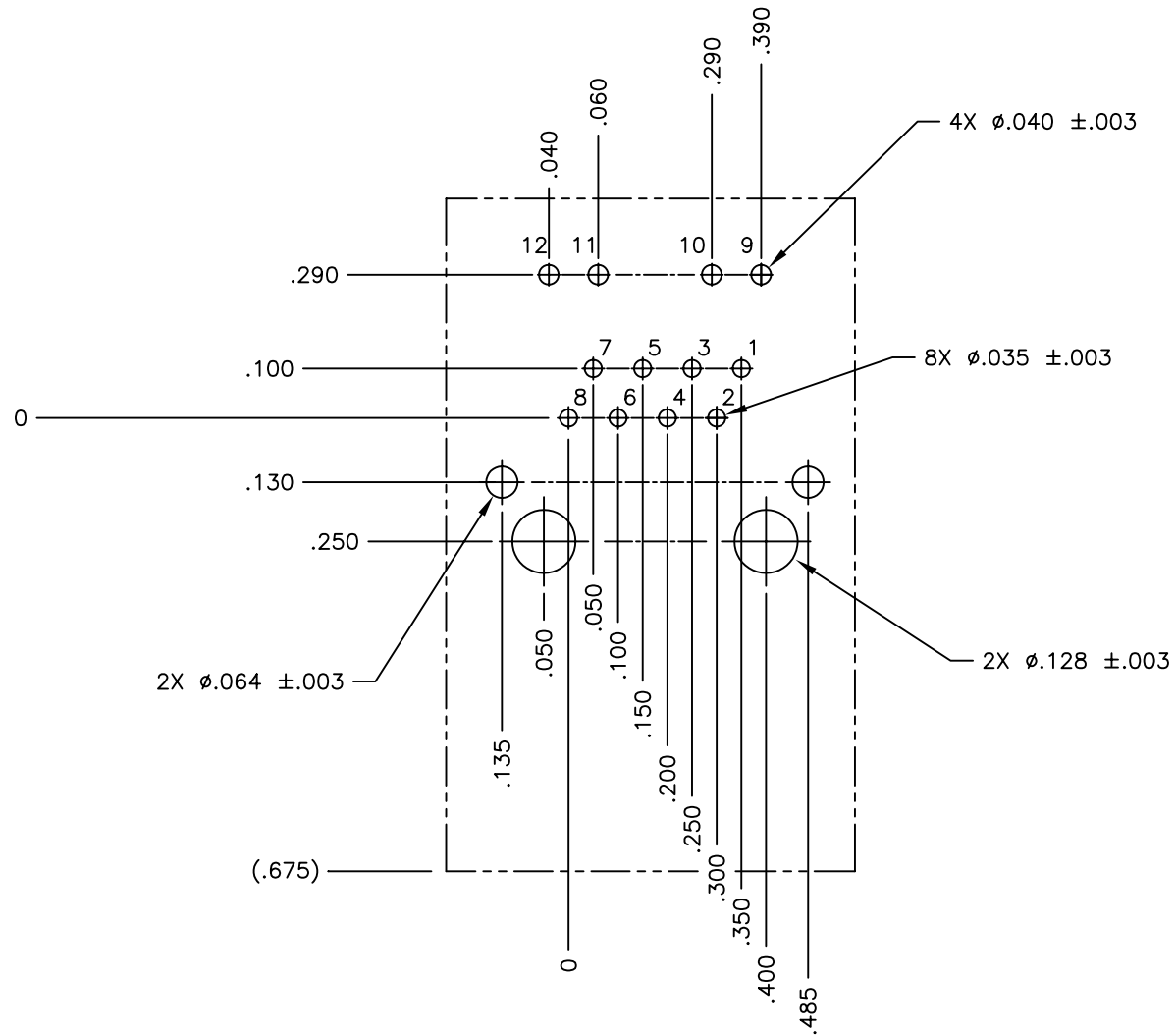
© Copyright, 2010. Pulse Engineering, Inc. All rights reserved. Drawing specifications subject to change without notice. (11/01/10)

PULSE CONFIDENTIAL & PROPRIETARY	PRODUCT DESCRIPTION	PS DRAWING	SHEET:	DWG. NO./ PART NO.	REV.
	CONN,RJ45,1X1,100D,1:1,TU	PS-0040.003-L	1	JX10-0061NL	M10



© Copyright, 2010. Pulse Engineering, Inc. All rights reserved. Drawing specifications subject to change without notice. (11/01/10)

PULSE CONFIDENTIAL & PROPRIETARY	PRODUCT DESCRIPTION	PS DRAWING	SHEET:	DWG. NO./ PART NO.	REV.
		CONN,RJ45,1X1,100D,1:1,TU	PS-0040.003-L	2	JX10-0061NL



UNLESS OTHERWISE SPECIFIED
ALL TOLERANCES ARE $\pm.002$

SUGGESTED PCB LAYOUT

© Copyright, 2010. Pulse Engineering, Inc. All rights reserved. Drawing specifications subject to change without notice. (11/01/10)

PULSE CONFIDENTIAL & PROPRIETARY	PRODUCT DESCRIPTION	PS DRAWING	SHEET:	DWG. NO./ PART NO.	REV.
		CONN,RJ45,1X1,100D,1:1,TU	PS-0040.003-L	3	JX10-0061NL