

MATERIAL NUMBER	# OF COLUMNS	# OF DIFF PAIR	DIM "A" MAX	DIM "B"
76450-*10*	10	20	26.60	17.10
76450-*60*	16	32	38.00	28.50

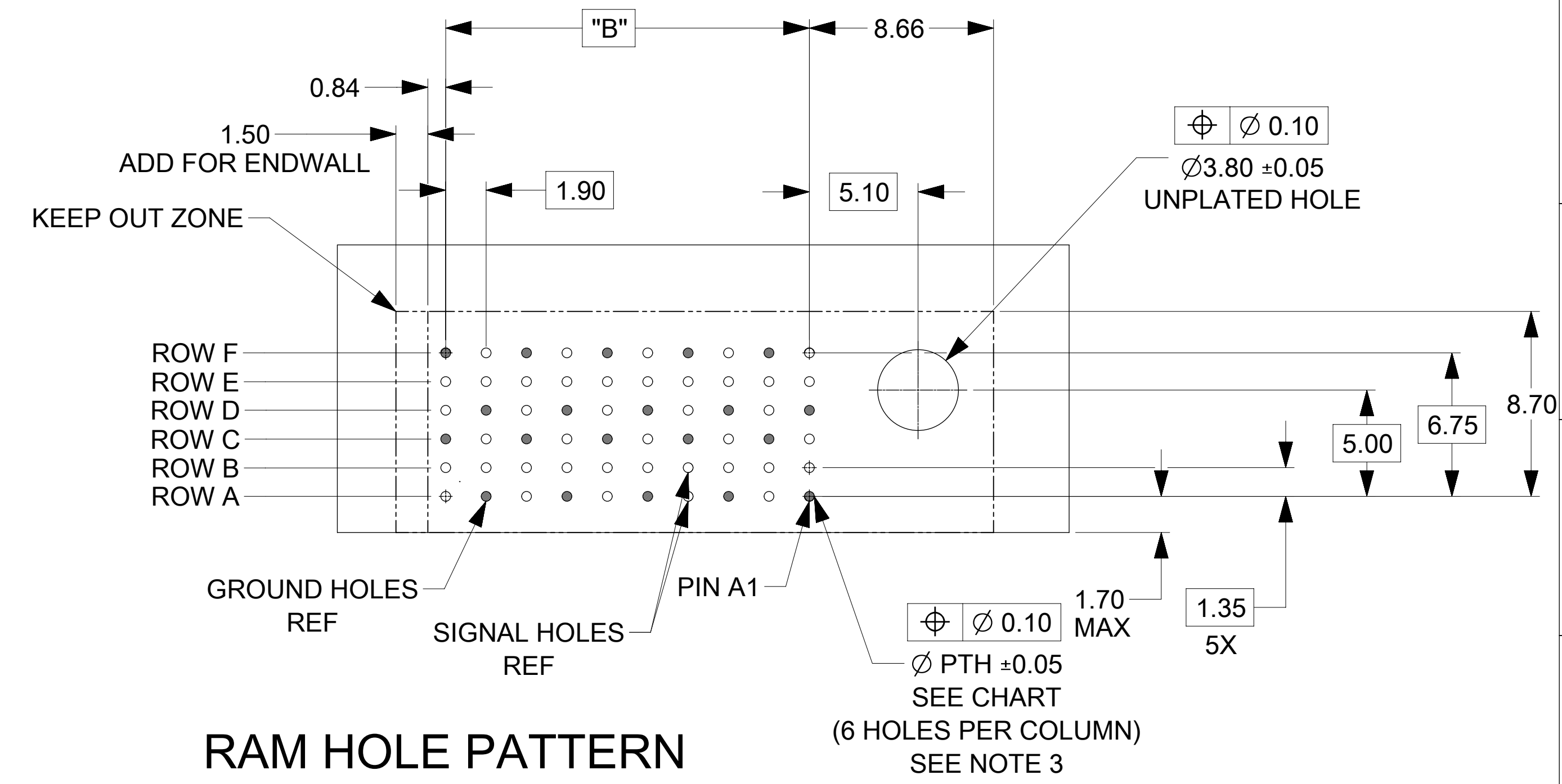
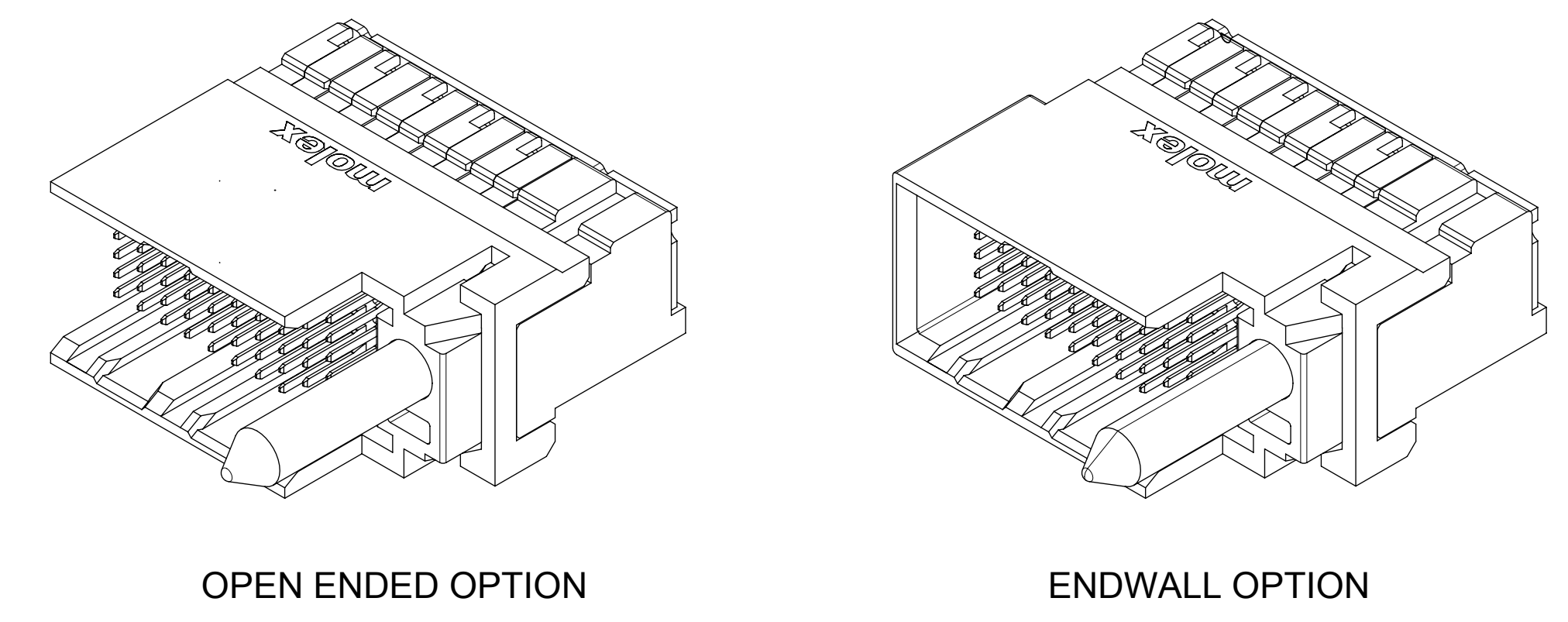
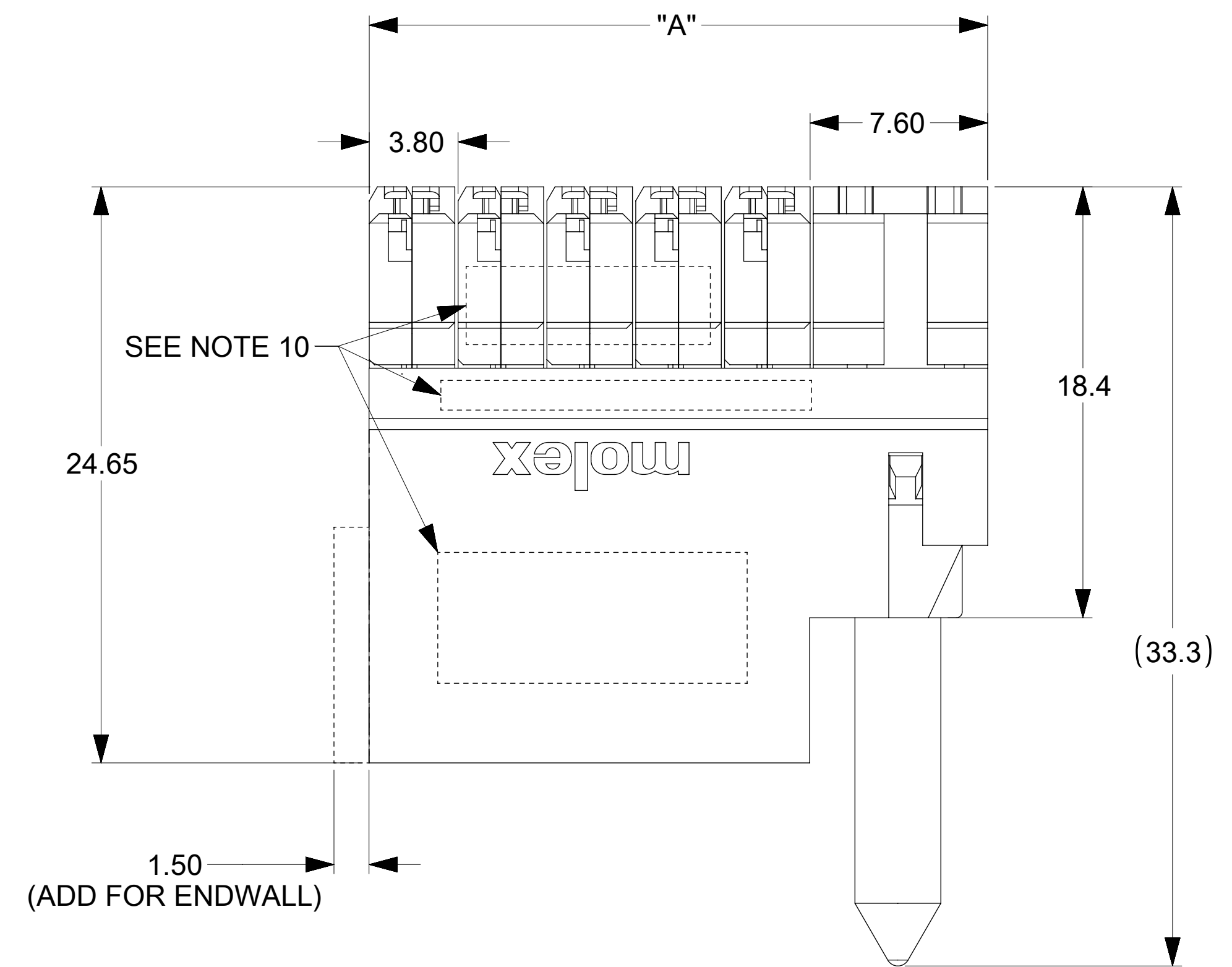
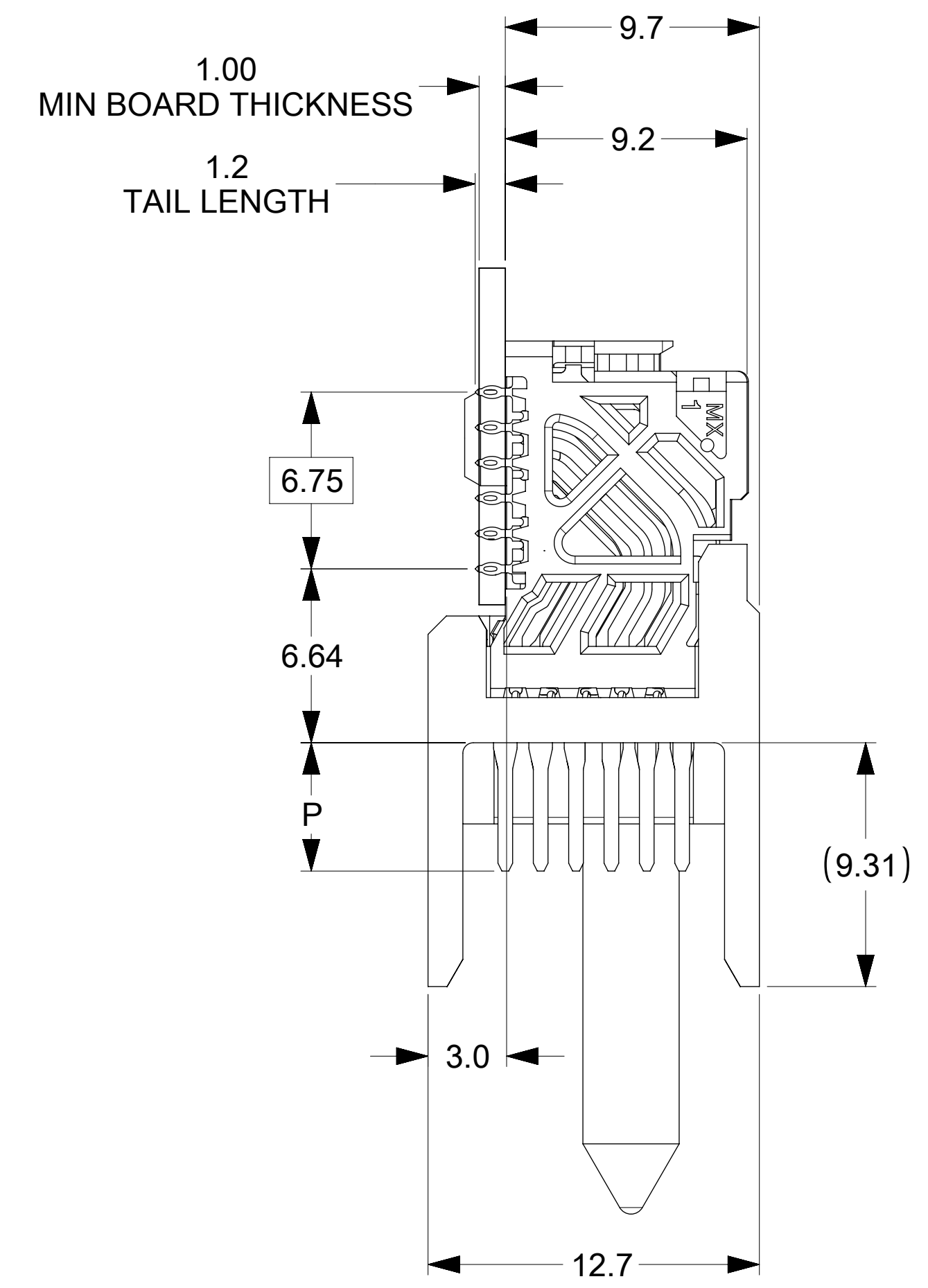
76450-0***

MODULE & TAIL PLATING TYPE
 5 = RIGHT GUIDED LEAD-FREE
 9 = RIGHT GUIDED LEAD-FREE W/ ENDWALL

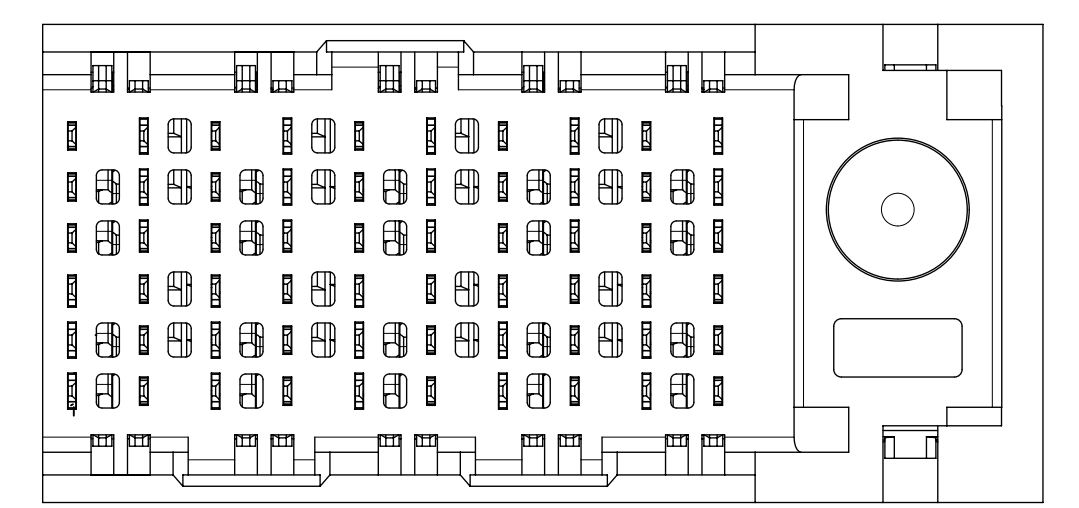
PIN LENGTH (P)
 4 = 4.90 (0.46 PTH)
 5 = 5.50 (0.46 PTH)
 7 = 4.90 (0.39 PTH)
 8 = 5.50 (0.39 PTH)

OF COLUMNS
 1 = 10 COL
 6 = 16 COL

- NOTES:
- MATERIALS: HOUSING - LIQUID CRYSTAL POLYMER (LCP), GLASS-FILLED, UL94V-0
TERMINALS - HIGH PERFORMANCE COPPER ALLOY
 - FINISH: 30µin SELECTIVE GOLD IN CONTACT AREA, SELECTIVE TIN ON PCB TAILS, NICKEL OVERALL.
 - FOR FURTHER INFORMATION SEE PRODUCT SPECIFICATION PS-76060-999..
 - EACH SIGNAL WAFER CONTAINS 2 COLUMNS OF TERMINALS.
 - PRODUCT TO BE PACKAGED PER PACKAGING SPECIFICATION PK-70873-077.
 - THIS PART CONFORMS TO CLASS B REQUIREMENTS OF COSMETIC SPEC PS-45499-002.
 - REFER TO MOLEX SALES DRAWING SD-76460-002 FOR MATING DAUGHTERCARDS.
 - REFER TO MOLEX PCB ROUTING GUIDE AS-76060-990 FOR ANTIPAD AND ROUTING RECOMMENDATIONS.
 - WHEN USING MOLEX SUPPLIED #2-32 SCREW 73726-0005 (7.62 +0.38/-0.76 mm THREADABLE SCREW LENGTH), THE BOARD THICKNESS RANGE IS 1.60 TO 3.85 mm.
 - MARKING: LOCATED APPROXIMATELY AS SHOWN. PART NUMBER AND DATE CODE.

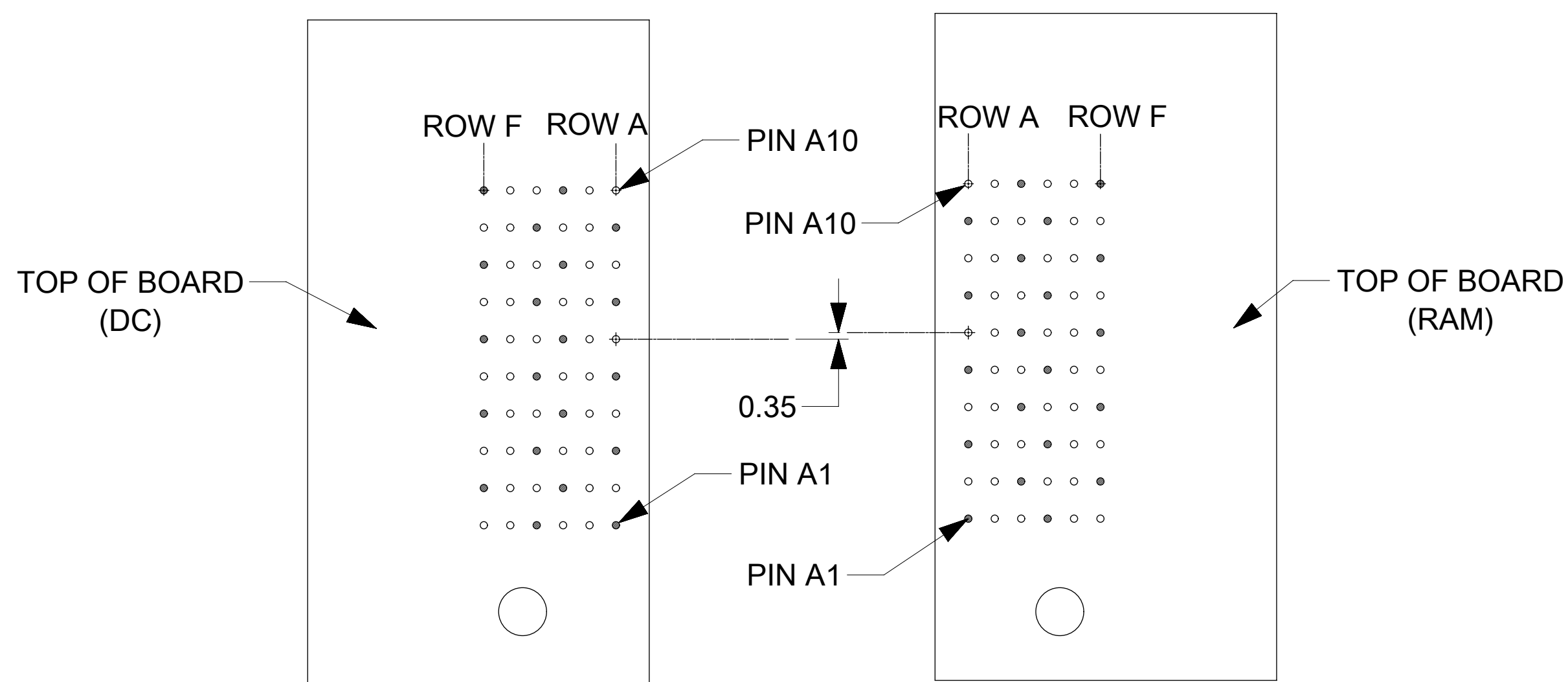
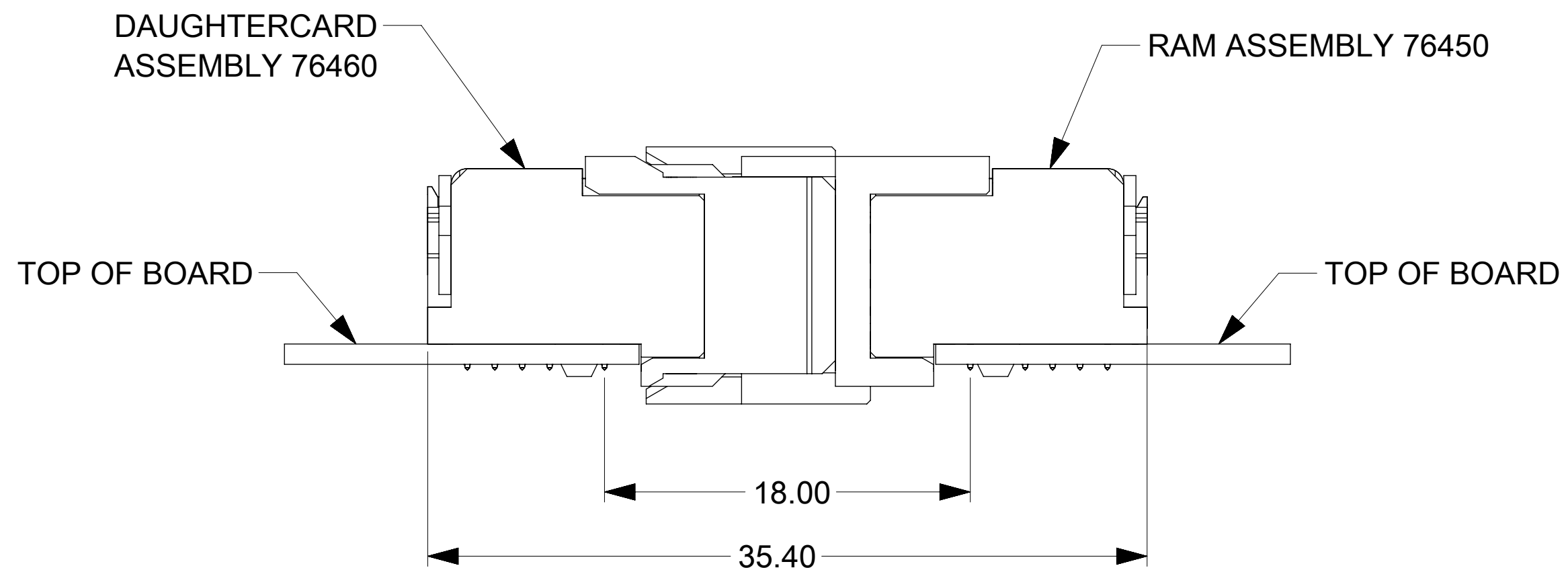


RAM HOLE PATTERN (CONNECTOR SIDE)

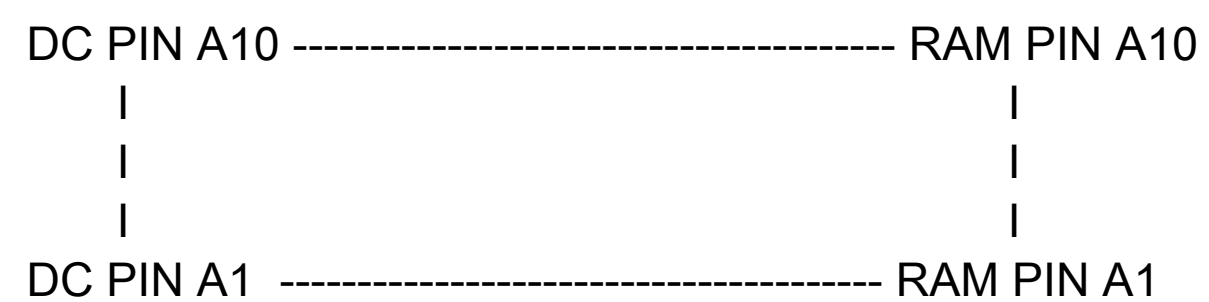


THIS DRAWING CONTAINS INFORMATION THAT IS PROPRIETARY TO MOLEX ELECTRONIC TECHNOLOGIES, LLC AND SHOULD NOT BE USED WITHOUT WRITTEN PERMISSION									
DIMENSION UNITS: mm		SCALE: NTS		CURRENT REV DESC: MIGRATED TO NX					
GENERAL TOLERANCES (UNLESS SPECIFIED)				molex IMPACT 100 OHM 2 PAIR RAM RIGHT GUIDED SALES DRAWING					
ANGULAR TOL ± 0.5°				PRODUCT CUSTOMER DRAWING					
4 PLACES ±				EC NO: 705090		DRWN: PSHANKARACHA 2019/03/13		DOCUMENT NUMBER	
3 PLACES ±				CHK'D: VINODM3 2022/03/08		APPR: LZENG 2022/05/13		DOC TYPE DOC PART REVISION	
2 PLACES ± 0.13				INITIAL REVISION:		DRWN: MCARRANZA 2008/02/21		SD-76450-004 PSD 001 C8	
1 PLACE ± 0.25				DRWN: JLAURX 2009/04/17		APPR: JLAURX 2009/04/17		SHEET NUMBER	
0 PLACES ±				DRAFT WHERE APPLICABLE MUST REMAIN WITHIN DIMENSIONS		THIRD ANGLE PROJECTION		DRAWING SERIES	
				D-SIZE		76450		MATERIAL NUMBER CUSTOMER	
								SEE TABLE GENERAL MARKET	
								1 OF 2	

COPLANAR APPLICATION



COPLANAR MATED SIGNAL PATHS



THIS DRAWING CONTAINS INFORMATION THAT IS PROPRIETARY TO MOLEX ELECTRONIC TECHNOLOGIES, LLC AND SHOULD NOT BE USED WITHOUT WRITTEN PERMISSION

DIMENSION UNITS mm	SCALE NTS	CURRENT REV DESC: MIGRATED TO NX		molex		
GENERAL TOLERANCES (UNLESS SPECIFIED)		EC NO: 705090				
ANGULAR TOL	± 0.5°	DRWN:	PSHANKARACHA	2019/03/13	PRODUCT CUSTOMER DRAWING	
4 PLACES	±	CHK'D:	VINODM3	2022/03/08	DOCUMENT NUMBER	DOC TYPE
3 PLACES	±	APPR:	LZENG	2022/05/13	SD-76450-004	PSD
2 PLACES	± 0.13	INITIAL REVISION:		2009/04/17	DOC PART	REVISION
1 PLACE	± 0.25	DRWN:	MCARRANZA	2008/02/21	001	C8
0 PLACES	±	APPR:	JLAURX		SHEET NUMBER	
DRAFT WHERE APPLICABLE MUST REMAIN WITHIN DIMENSIONS		THIRD ANGLE PROJECTION	DRAWING	SERIES	MATERIAL NUMBER	CUSTOMER
			D-SIZE	76450	SEE TABLE	GENERAL MARKET
						2 OF 2