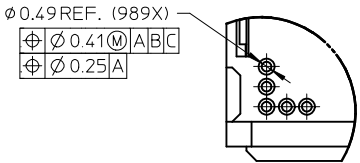
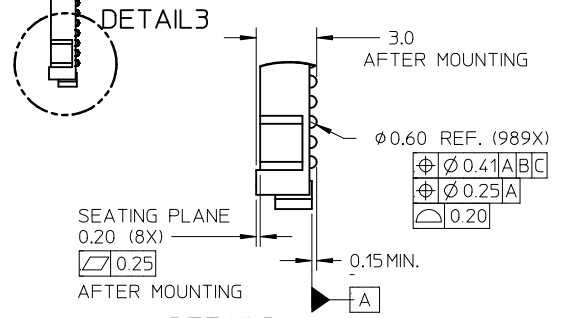
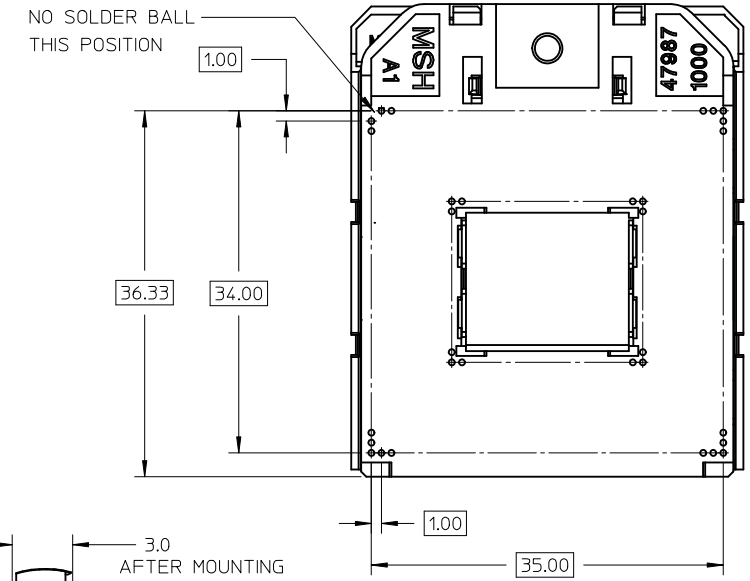


- NOTES:
- 1) THIS SOCKET COMPLIES WITH ALL SPECIFICATIONS AND PERFORMANCE REQUIREMENTS FOR INTEL rPGA98X SERIES CPU PROCESSORS.
 - 2) SOCKET SHOWN IN OPEN POSITION.
 - 3) SEE SHEET 2 FOR DETAILS PERTAINING TO KEYING, MATERIAL AND PACKAGING OPTIONS.
 - 4) THIS PRODUCT SERIES COMPLIANT TO RoHS DIRECTIVE 2002/95/EC AND ELV DIRECTIVE 2000/53/EC.

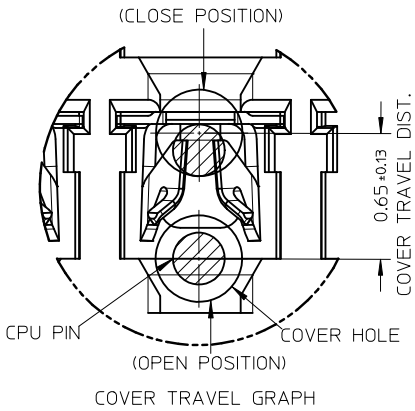
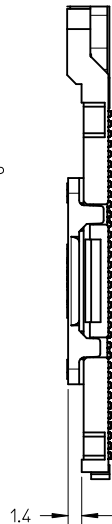
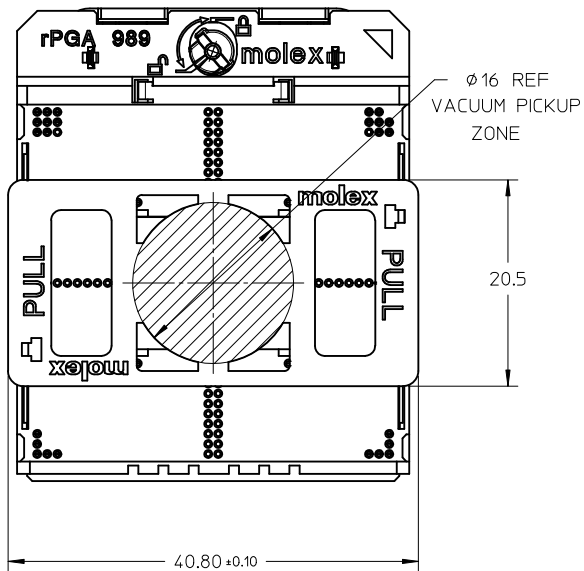


DETAIL 2

DETAIL 3

REVISED EC NO: SH2012-0185 DRWN: YZHENG 2011/11/08 CHKD: APPR: AYIN 2012/06/06 REV C	DESCRIPTION RPGA SOCKET 989 ASSEMBLY (SOCKET G2)	QUALITY SYMBOLS	GENERAL TOLERANCES (UNLESS SPECIFIED)	DIMENSION STYLE	SCALE	DESIGN UNITS	THIRD ANGLE PROJECTION
		$\nabla_A = 0$ $\nabla_C = 0$ $\nabla_P = 0$	mm INCH 4 PLACES ± --- ± --- 3 PLACES ± --- ± --- 2 PLACES ± 0.10 ± --- 1 PLACE ± 0.20 ± --- ANGULAR ± 2 °	MM ONLY	2:1	METRIC	
			DRAFT WHERE APPLICABLE MUST REMAIN WITHIN DIMENSIONS	DRAWN BY DATE AYIN 2010/07/29 CHECKED BY DATE APPROVED BY DATE AYIN 2010/09/03 MATERIAL NO.	TITLE RPGA SOCKET 989 ASSEMBLY (SOCKET G2)		
			SEE TABLE	MOLEX INCORPORATED DOCUMENT NO. SD-47989-003 SHEET NO. 1 OF 4			

REMOVEABLE PICK & PLACE CAP



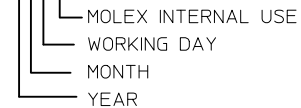
DETAIL 40:1

NOTES:

1) MATERIALS:

- MOLDED COMPONENTS: LIQUID CRYSTAL POLYMER (LCP) UL 94V-0
- BASE HOUSING COLOR: BLACK
- COVER COLOR: SEE PART LIST ON SHEET 3
- MYLAR(POLYIMIDE; COLOR:ORANGE) OR PnP COVER(LCP; COLOR: BLACK) FOR PICK & PLACE.
- CONTACTS: HIGH STRENGTH COPPER ALLOY
- PLATING: GOLD THICKNESS AS FOLLOWING TABLE 1-3 IN CONTACT AREA, 1.3um NICKEL OVERALL
- CAM COMPONENTS: STAINLESS STEEL
- SOLDER BALL: LEAD-FREE BALL SnAg3.0Cu0.5

2) DATE CODE *****

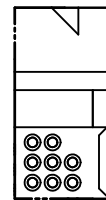
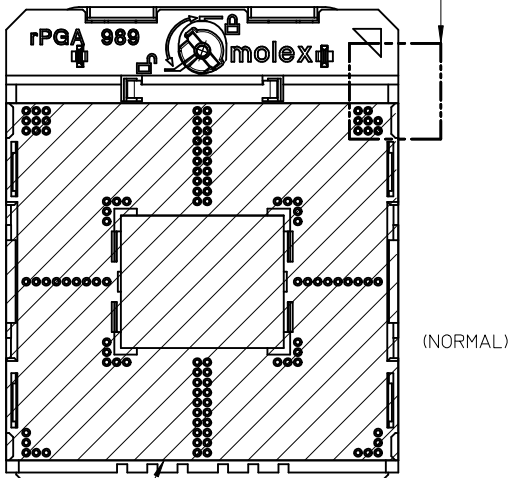


3) PRODUCT SPECIFICATION PS-47989-00* APPLIES

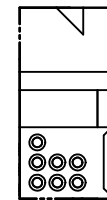
- 4) PACKAGING SPECIFICATION: PK-47989-001 (TAPE & REEL)
- PK-47989-002 (HARD TRAY)

SOCKET KEYING OPTIONS

MYLAR PICK & PLACE OPTION



rPGA989
47989-05**



rPGA988B
47989-07**

REVISED EC NO: SH2012-0185 DRWN: YXZHENG 2011/11/08 CHKD: APPR: AYIN 2012/06/04	DESCRIPTION REV	QUALITY SYMBOLS	GENERAL TOLERANCES (UNLESS SPECIFIED)		DIMENSION STYLE	SCALE	DESIGN UNITS	THIRD ANGLE PROJECTION	
		$F_A=0$ $F_G=0$ $F_P=0$	mm	INCH	MM ONLY	2:1	METRIC		
		4 PLACES ± --- ± --- 3 PLACES ± --- ± --- 2 PLACES ± 0.10 ± --- 1 PLACE ± 0.20 ± ---	ANGULAR ± 2 °		DRAWN BY: AYIN DATE: 2010/07/29 CHECKED BY: _____ DATE: _____	TITLE: RPGA SOCKET 989 ASSEMBLY (SOCKET G2)			
		DRAFT WHERE APPLICABLE MUST REMAIN WITHIN DIMENSIONS		APPROVED BY: AYIN DATE: 2010/09/03 MATERIAL NO.	SEE TABLE		MOLEX INCORPORATED DOCUMENT NO. SD-47989-003		SHEET NO. 2 OF 4
		SIZE	THIS DRAWING CONTAINS INFORMATION THAT IS PROPRIETARY TO MOLEX INCORPORATED AND SHOULD NOT BE USED WITHOUT WRITTEN PERMISSION						

PART NO. OF GF PLATING WITH NATURAL COVERL- TABLE 1

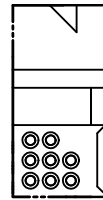
PART NUMBER	PICK UP TYPE		PACKAGE TYPE	
	MYLAR	CAP	T&R	HARD TRAY
47989-0510	◆			◆
47989-0520	◆		◆	
47989-0530		◆		◆
47989-0540		◆	◆	
47989-0710	◆			◆
47989-0720	◆		◆	
47989-0730		◆		◆
47989-0740		◆	◆	

PART NO. OF 10u" MIN GOLD PLATING WITH NATURAL COVER- TABLE 2

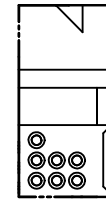
PART NUMBER	PICK UP TYPE		PACKAGE TYPE	
	MYLAR	CAP	T&R	HARD TRAY
47989-0511	◆			◆
47989-0521	◆		◆	
47989-0531		◆		◆
47989-0541		◆	◆	
47989-0711	◆			◆
47989-0721	◆		◆	
47989-0731		◆		◆
47989-0741		◆	◆	

PART NO. OF 15u" MIN. GOLD PLATING- WITH NATURAL COVER -TABLE 3

PART NUMBER	PICK UP TYPE		PACKAGE TYPE	
	MYLAR	CAP	T&R	HARD TRAY
47989-0512	◆			◆
47989-0522	◆		◆	
47989-0532		◆		◆
47989-0542		◆	◆	
47989-0712	◆			◆
47989-0722	◆		◆	
47989-0732		◆		◆
47989-0742		◆	◆	



rPGA989
47989-05**



rPGA988B
47989-07**

REVISED EC NO: SH2012-0185 DRWN: YXZHENG 2011/11/08 CHKD: APPR: AYIN 2012/06/04 REV	QUALITY SYMBOLS	GENERAL TOLERANCES (UNLESS SPECIFIED)	DIMENSION STYLE	SCALE	DESIGN UNITS	THIRD ANGLE PROJECTION
	$F_A=0$ $F_G=0$ $F_P=0$	mm INCH 4 PLACES ± --- ± --- 3 PLACES ± --- ± --- 2 PLACES ± 0.10 ± --- 1 PLACE ± 0.20 ± --- ANGULAR ± 2 °	MM ONLY	2:1	METRIC	
		DRAFT WHERE APPLICABLE MUST REMAIN WITHIN DIMENSIONS	DRAWN BY: AYIN DATE: 2010/07/29 CHECKED BY: DATE:	TITLE: RPGA SOCKET 989 ASSEMBLY (SOCKET G2)		
			APPROVED BY: AYIN DATE: 2010/09/03 MATERIAL NO. DOCUMENT NO.	MOLEX INCORPORATED SD-47989-003		
			SIZE: A3 THIS DRAWING CONTAINS INFORMATION THAT IS PROPRIETARY TO MOLEX INCORPORATED AND SHOULD NOT BE USED WITHOUT WRITTEN PERMISSION	SHEET NO. 3 OF 4		

10 9 8 7 6 5 4 3 2 1

F

E

D

C

B

A

F

E

D

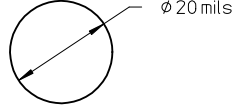
C

B

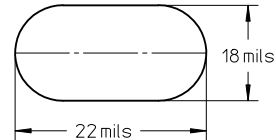
A

NOTES:
shape pada of PCB are recommended

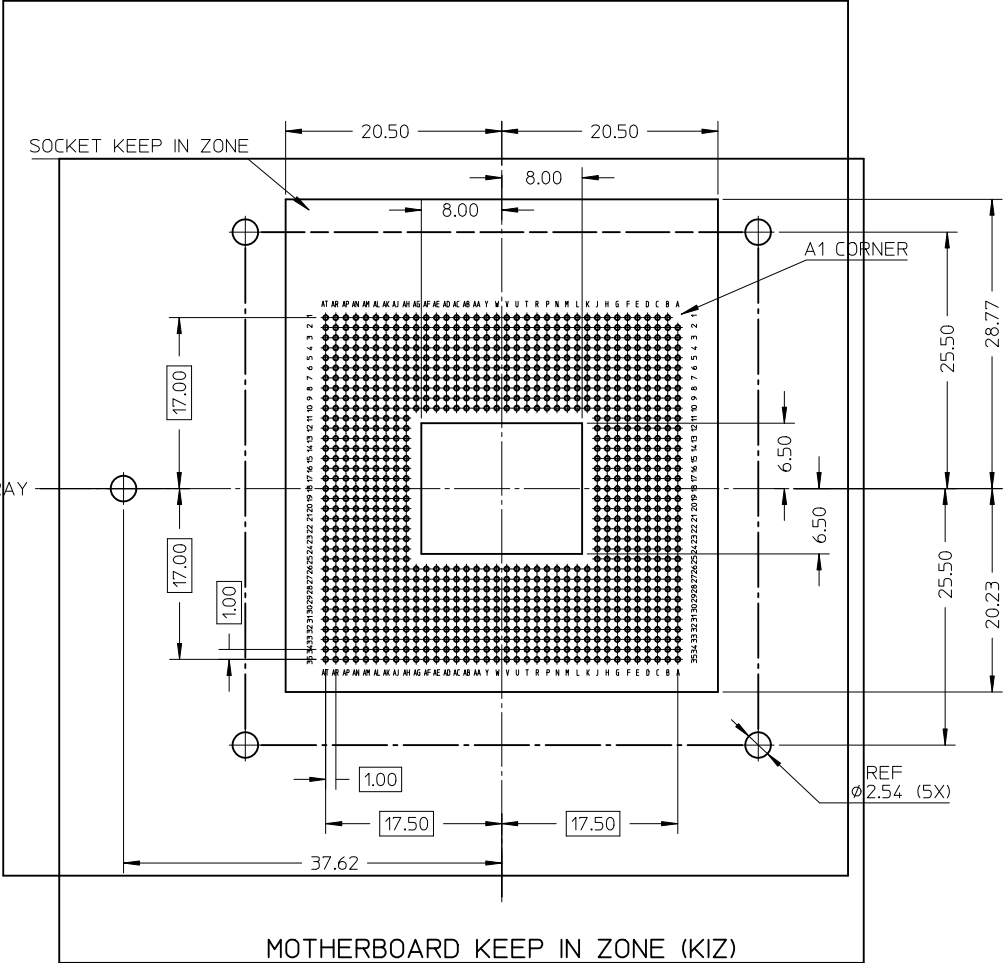
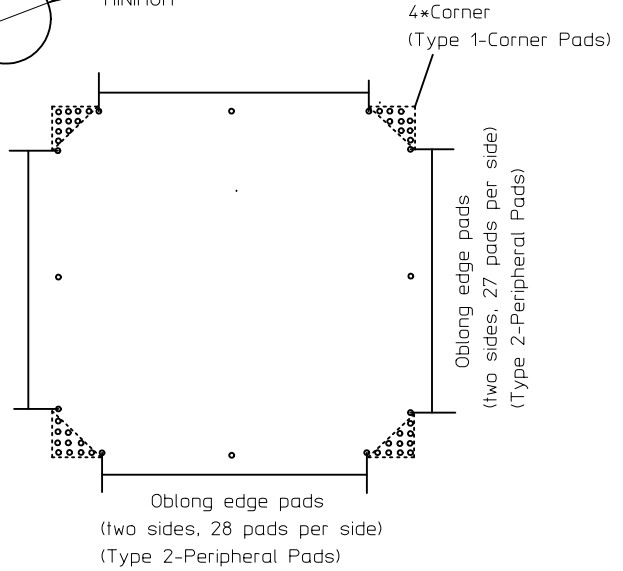
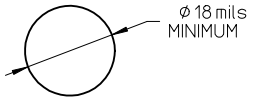
TYPE1-Corner Pads



TYPE2-Peripheral Pads(Oblong-shape pada are recommended)



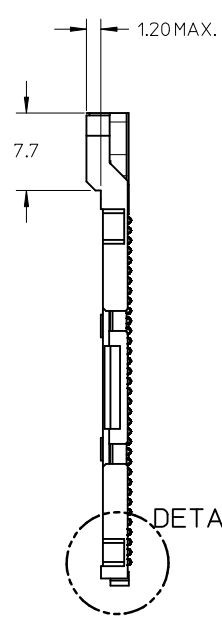
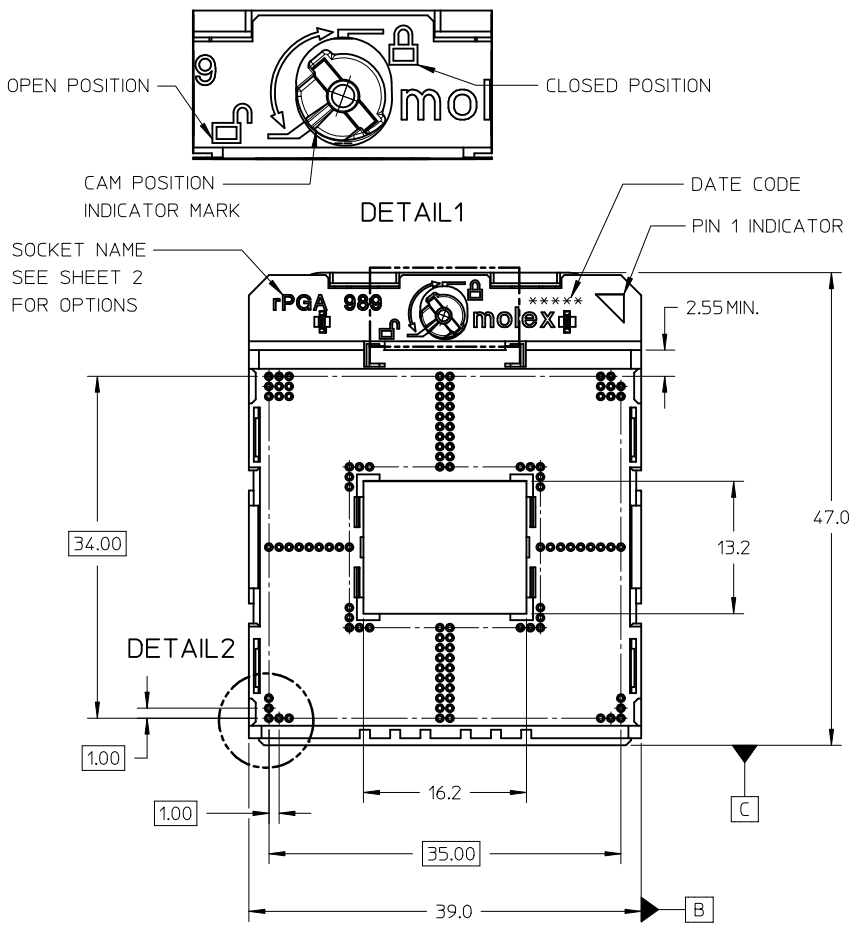
TYPE3-All Other Location Except for those of Type1 and Type2 Locations)



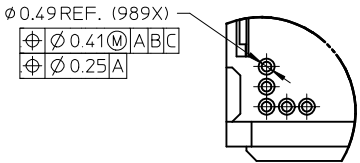
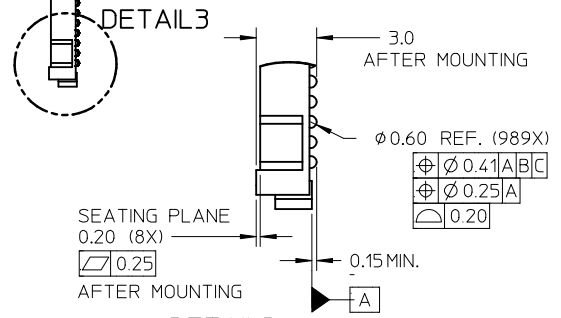
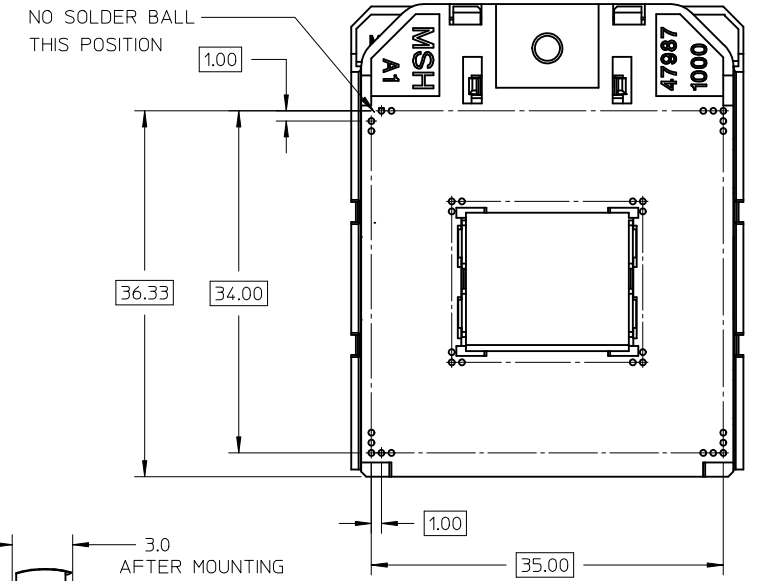
MOTHERBOARD KEEP IN ZONE (KIZ)
(FOR NORMAL)

REVISED EC NO: SH2012-0185 DRWN: YXZHENG 2011/11/08 CHKD: APPR: AYIN 2012/06/04	QUALITY SYMBOLS	GENERAL TOLERANCES (UNLESS SPECIFIED)		DIMENSION STYLE	SCALE	DESIGN UNITS	THIRD ANGLE PROJECTION
	$F_A = 0$ $F_G = 0$ $F_P = 0$	mm INCH 4 PLACES ± --- ± --- 3 PLACES ± --- ± --- 2 PLACES ± 0.10 ± --- 1 PLACE ± 0.20 ± --- ANGULAR ± 2 °	MM ONLY	2:1	METRIC		
	DESCRIPTION	DRAFT WHERE APPLICABLE MUST REMAIN WITHIN DIMENSIONS		DRAWN BY DATE AYIN 2010/07/29 CHECKED BY DATE APPROVED BY DATE AYIN 2010/09/03 MATERIAL NO.	TITLE RPGA SOCKET 989 ASSEMBLY (SOCKET G2) MOLEX INCORPORATED DOCUMENT NO.		SHEET NO. 4 OF 4
	REV			SEE TABLE THIS DRAWING CONTAINS INFORMATION THAT IS PROPRIETARY TO MOLEX INCORPORATED AND SHOULD NOT BE USED WITHOUT WRITTEN PERMISSION	SD-47989-003		

9 8 7 6 5 4 3 2 1



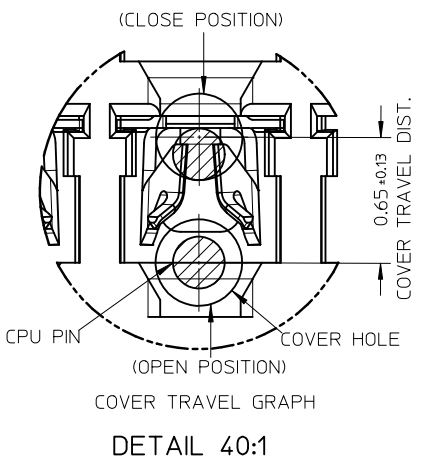
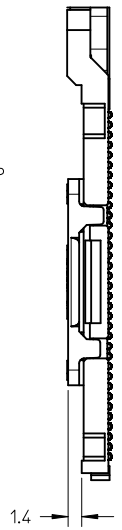
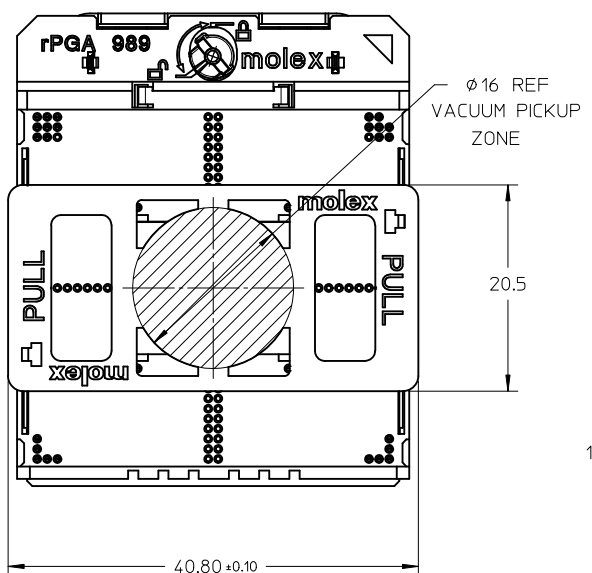
- NOTES:
- 1) THIS SOCKET COMPLIES WITH ALL SPECIFICATIONS AND PERFORMANCE REQUIREMENTS FOR INTEL rPGA98X SERIES CPU PROCESSORS.
 - 2) SOCKET SHOWN IN OPEN POSITION.
 - 3) SEE SHEET 2 FOR DETAILS PERTAINING TO KEYING, MATERIAL AND PACKAGING OPTIONS.
 - 4) THIS PRODUCT SERIES COMPLIANT TO RoHS DIRECTIVE 2002/95/EC AND ELV DIRECTIVE 2000/53/EC.



DETAIL 2

REVISED EC NO: SH2012-0185 DRWN: YXZHENG 2011/11/08 CHKD: APPR: AYIN 2012/06/06 REV C	DESCRIPTION RPGA SOCKET 989 ASSEMBLY (SOCKET G2)	QUALITY SYMBOLS	GENERAL TOLERANCES (UNLESS SPECIFIED)		DIMENSION STYLE	SCALE	DESIGN UNITS	THIRD ANGLE PROJECTION	
		$\nabla_A = 0$ $\nabla_C = 0$ $\nabla_P = 0$	mm INCH 4 PLACES ± --- ± --- 3 PLACES ± --- ± --- 2 PLACES ± 0.10 ± --- 1 PLACE ± 0.20 ± --- ANGULAR ± 2 °	MM ONLY	2:1	METRIC	DRAWN BY DATE AYIN 2010/07/29 CHECKED BY DATE APPROVED BY DATE AYIN 2010/09/03 MATERIAL NO.	TITLE	RPGA SOCKET 989 ASSEMBLY (SOCKET G2) MOLEX INCORPORATED DOCUMENT NO. SD-47989-003 SHEET NO. 1 OF 4
		DRAFT WHERE APPLICABLE MUST REMAIN WITHIN DIMENSIONS		SEE TABLE	THIS DRAWING CONTAINS INFORMATION THAT IS PROPRIETARY TO MOLEX INCORPORATED AND SHOULD NOT BE USED WITHOUT WRITTEN PERMISSION				
				SIZE A3					

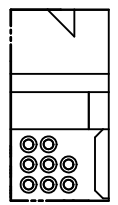
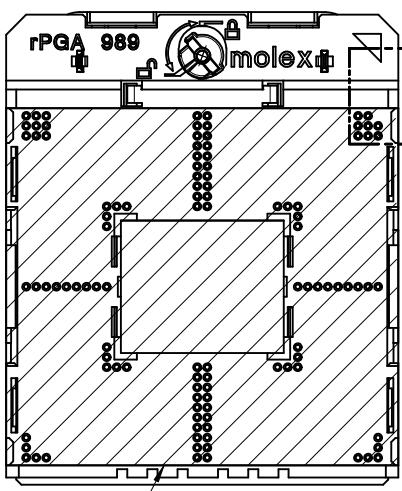
REMOVEABLE PICK & PLACE CAP



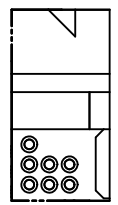
- NOTES:
- 1) MATERIALS:
 - MOLDED COMPONENTS: LIQUID CRYSTAL POLYMER (LCP) UL 94V-0
 - BASE HOUSING COLOR: BLACK
 - COVER COLOR: SEE PART LIST ON SHEET 3
 - MYLAR (POLYIMIDE; COLOR: ORANGE) OR PnP COVER (LCP; COLOR: BLACK) FOR PICK & PLACE.
 - CONTACTS: HIGH STRENGTH COPPER ALLOY
 - PLATING: GOLD THICKNESS AS FOLLOWING TABLE 1-3 IN CONTACT AREA, 1.3µm NICKEL OVERALL
 - CAM COMPONENTS: STAINLESS STEEL
 - SOLDER BALL: LEAD-FREE BALL SnAg3.0Cu0.5
 - 2) DATE CODE *****
 - _____ MOLEX INTERNAL USE
 - _____ WORKING DAY
 - _____ MONTH
 - _____ YEAR
 - 3) PRODUCT SPECIFICATION PS-47989-00* APPLIES
 - 4) PACKAGING SPECIFICATION: PK-47989-001 (TAPE & REEL)
PK-47989-002 (HARD TRAY)

SOCKET KEYING OPTIONS

MYLAR PICK & PLACE OPTION



rPGA989
47989-05**



rPGA988B
47989-07**

REVISED EC NO: SH2012-0185 DRWN: YXZHENG 2011/11/08 CHKD: APPR: AYIN 2012/06/04	DESCRIPTION REV	QUALITY SYMBOLS	GENERAL TOLERANCES (UNLESS SPECIFIED)		DIMENSION STYLE MM ONLY		SCALE 2:1	DESIGN UNITS METRIC	THIRD ANGLE PROJECTION
		$F_A = 0$ $F_C = 0$ $F_P = 0$	mm INCH 4 PLACES ± --- ± --- 3 PLACES ± --- ± --- 2 PLACES ± 0.10 ± --- 1 PLACE ± 0.20 ± --- ANGULAR ± 2°	DRAWN BY AYIN	DATE 2010/07/29	TITLE RPGA SOCKET 989 ASSEMBLY (SOCKET G2)			
		DRAFT WHERE APPLICABLE MUST REMAIN WITHIN DIMENSIONS	APPROVED BY AYIN	DATE 2010/09/03	MOLEX INCORPORATED				
		SIZE A3	MATERIAL NO. SEE TABLE		DOCUMENT NO. SD-47989-003	SHEET NO. 2 OF 4			

PART NO. OF GF PLATING WITH NATURAL COVERL- TABLE 1

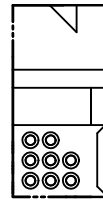
PART NUMBER	PICK UP TYPE		PACKAGE TYPE	
	MYLAR	CAP	T&R	HARD TRAY
47989-0510	◆			◆
47989-0520	◆		◆	
47989-0530		◆		◆
47989-0540		◆	◆	
47989-0710	◆			◆
47989-0720	◆		◆	
47989-0730		◆		◆
47989-0740		◆	◆	

PART NO. OF 10u" MIN GOLD PLATING WITH NATURAL COVER- TABLE 2

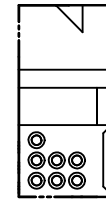
PART NUMBER	PICK UP TYPE		PACKAGE TYPE	
	MYLAR	CAP	T&R	HARD TRAY
47989-0511	◆			◆
47989-0521	◆		◆	
47989-0531		◆		◆
47989-0541		◆	◆	
47989-0711	◆			◆
47989-0721	◆		◆	
47989-0731		◆		◆
47989-0741		◆	◆	

PART NO. OF 15u" MIN. GOLD PLATING- WITH NATURAL COVER -TABLE 3

PART NUMBER	PICK UP TYPE		PACKAGE TYPE	
	MYLAR	CAP	T&R	HARD TRAY
47989-0512	◆			◆
47989-0522	◆		◆	
47989-0532		◆		◆
47989-0542		◆	◆	
47989-0712	◆			◆
47989-0722	◆		◆	
47989-0732		◆		◆
47989-0742		◆	◆	

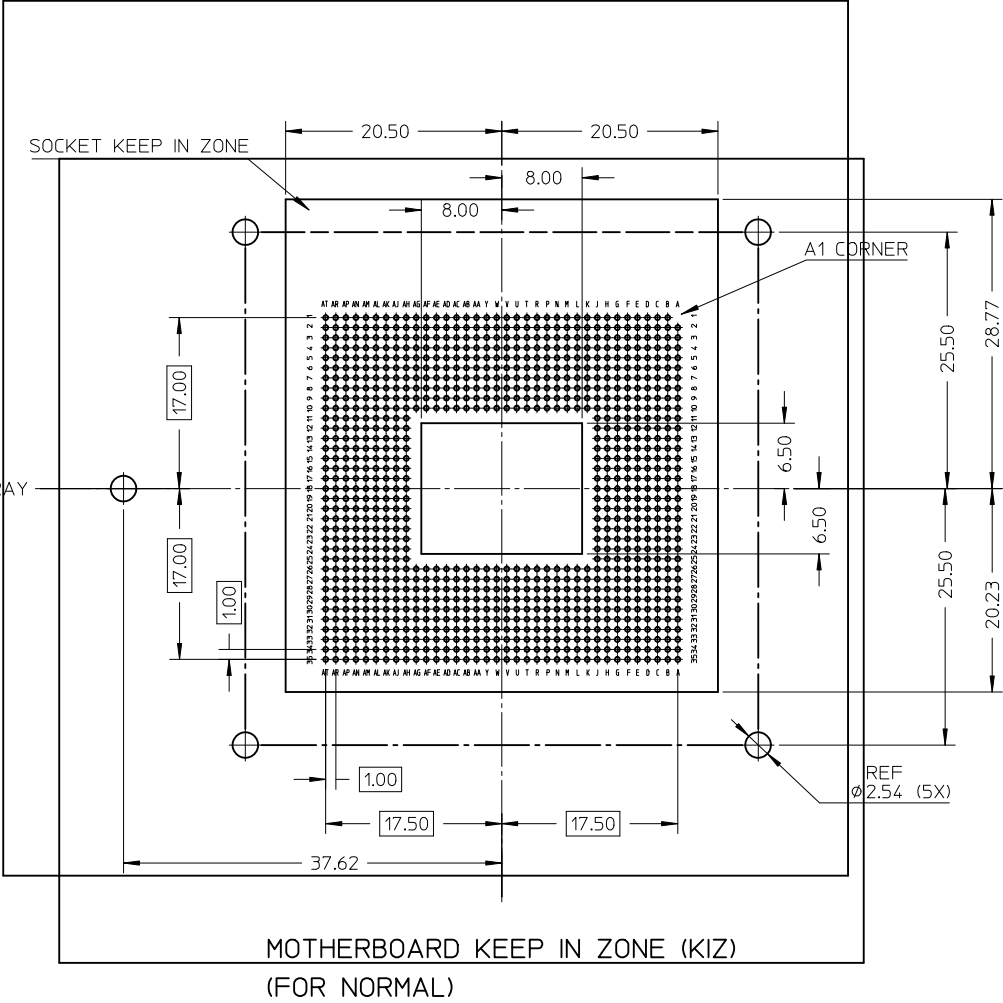


rPGA989
47989-05**



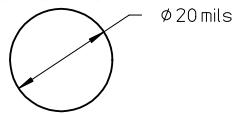
rPGA988B
47989-07**

REVISED EC NO: SH2012-0185 DRWN: YXZHENG 2011/11/08 CHKD: APPR: AYIN 2012/06/04	DESCRIPTION REV	QUALITY SYMBOLS	GENERAL TOLERANCES (UNLESS SPECIFIED)	DIMENSION STYLE	SCALE	DESIGN UNITS	THIRD ANGLE PROJECTION	
		$F_A=0$ $F_G=0$ $F_P=0$	mm INCH 4 PLACES ± --- ± --- 3 PLACES ± --- ± --- 2 PLACES ± 0.10 ± --- 1 PLACE ± 0.20 ± --- ANGULAR ± 2 °	MM ONLY	2:1	METRIC	DRAWN BY: AYIN DATE: 2010/07/29 CHECKED BY: DATE:	TITLE RPGA SOCKET 989 ASSEMBLY (SOCKET G2)
			DRAFT WHERE APPLICABLE MUST REMAIN WITHIN DIMENSIONS	APPROVED BY: AYIN DATE: 2010/09/03	MATERIAL NO. SEE TABLE	MOLEX INCORPORATED DOCUMENT NO. SD-47989-003	SHEET NO. 3 OF 4	
				SIZE: A3	THIS DRAWING CONTAINS INFORMATION THAT IS PROPRIETARY TO MOLEX INCORPORATED AND SHOULD NOT BE USED WITHOUT WRITTEN PERMISSION			

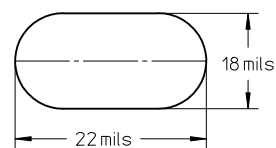


NOTES:
shape pada of PCB are recommended

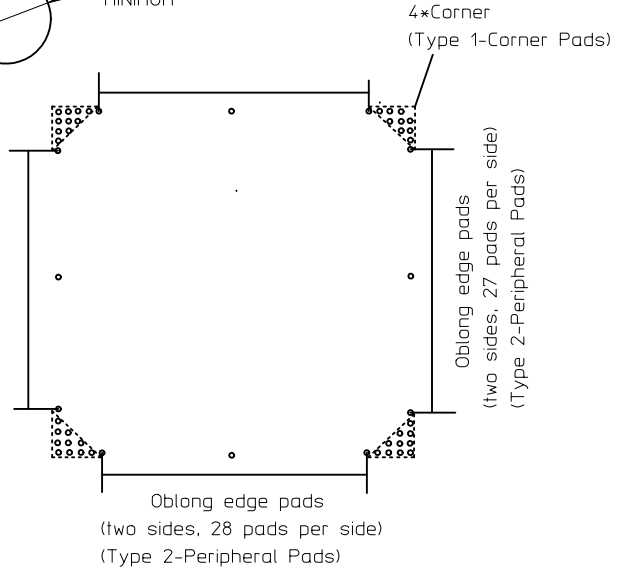
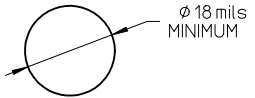
TYPE1-Corner Pads



TYPE2-Peripheral Pads(Oblong-shape pada are recommended)



TYPE3-All Other Location Except for those of Type1 and Type2 Locations)



MOTHERBOARD KEEP IN ZONE (KIZ)
(FOR NORMAL)

REVISED EC NO: SH2012-0185 DRWN: YXZHENG 2011/11/08 CHKD: APPR: AYIN 2012/06/04	QUALITY SYMBOLS	GENERAL TOLERANCES (UNLESS SPECIFIED)		DIMENSION STYLE	SCALE	DESIGN UNITS	THIRD ANGLE PROJECTION
	$F_A = 0$ $F_G = 0$ $F_P = 0$	mm INCH 4 PLACES ± --- ± --- 3 PLACES ± --- ± --- 2 PLACES ± 0.10 ± --- 1 PLACE ± 0.20 ± --- ANGULAR ± 2 °	MM ONLY	2:1	METRIC		
	DESCRIPTION	DRAFT WHERE APPLICABLE MUST REMAIN WITHIN DIMENSIONS	DRAWN BY: AYIN DATE: 2010/07/29 CHECKED BY: DATE: APPROVED BY: AYIN DATE: 2010/09/03 MATERIAL NO.	TITLE	RPGA SOCKET 989 ASSEMBLY (SOCKET G2)		
	REV		SEE TABLE THIS DRAWING CONTAINS INFORMATION THAT IS PROPRIETARY TO MOLEX INCORPORATED AND SHOULD NOT BE USED WITHOUT WRITTEN PERMISSION	MOLEX MOLEX INCORPORATED DOCUMENT NO. SD-47989-003	SHEET NO. 4 OF 4		