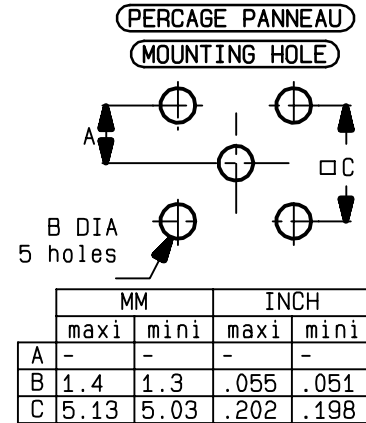
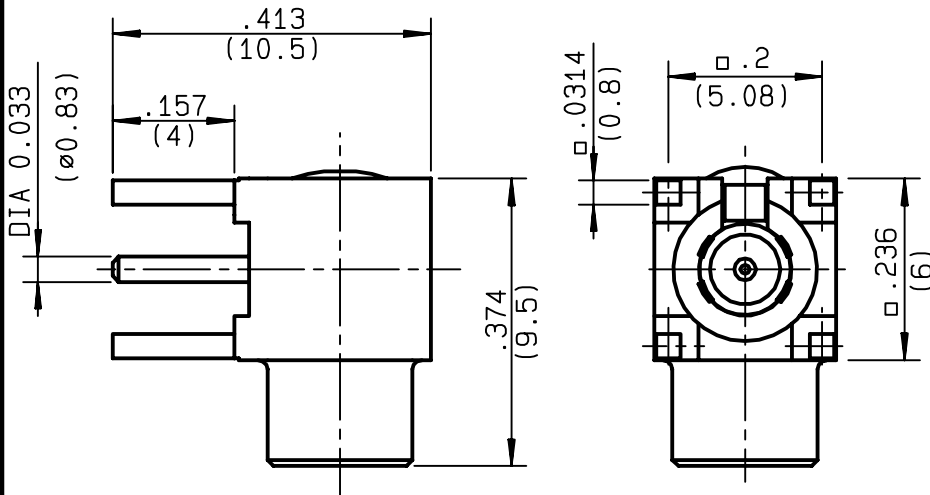


**RIGHT ANGLE JACK RECEPTACLE FOR PCB
SOLDER LEGS**

R213.665.000
SERIES MCX 75



NOMINAL IMPEDANCE	75	Ω
FREQUENCY RANGE	0-6	GHz
TEMPERATURE RATING	-55/+155	$^{\circ}\text{C}$
V.S.W.R	1.05* + .02 x F(GHz)Maxi	
RF INSERTION LOSS	0.03* \sqrt{F} (GHz) dB Maxi	
VOLTAGE RATING	335	Veff Maxi
DIELECTRIC WITHSTANDING VOLTAGE	1000	Veff Mini
INSULATION RESISTANCE	1000	M Ω Mini
HERMETIC SEAL	NA	Atm.cm ³ /s
LEAKAGE (pressurized only)	NA	
MECHANICAL DURABILITY	500	Cycles
WEIGHT	1.77	gr
SPECIFICATION		

CABLES :

OTHERS CHARACTERISTICS

*** COAXIAL TRANSMISSION LINE ONLY**

CABLE RETENTION	NA	N Mini
CENTER CONTACT RETENTION		
Axial force - mating end	10	N Mini
Axial force - opposite end	10	N Mini
Torque	NA	cm.N Mini
RECOMMENDED TORQUES		
Mating	NA	cm.N
Panel nut	NA	cm.N
Clamp nut	NA	cm.N

CONNECTOR PARTS	MATERIALS	FINISH	(all values are given in micrometers)
BODY	BRASS	GOLD 0.2 OVER NICKEL 2	
OUTER CONTACT			
CENTER CONTACT	BERYLLIUM COPPER	GOLD 1.3 OVER NICKEL 2	
INSULATOR	PTFE	-	
GASKET		-	
OTHERS PIECES	BRASS	GOLD 0.2 OVER NICKEL 2	

ISSUE	CREATION DATE	FILE PART-NUMBER
9916B00	22/08/1996	94-0142-028



RADIALL[®]

AGRIODOS

The information given here is subject to change without notice.
Design changes may be in order to improve the product .

Connect to the future