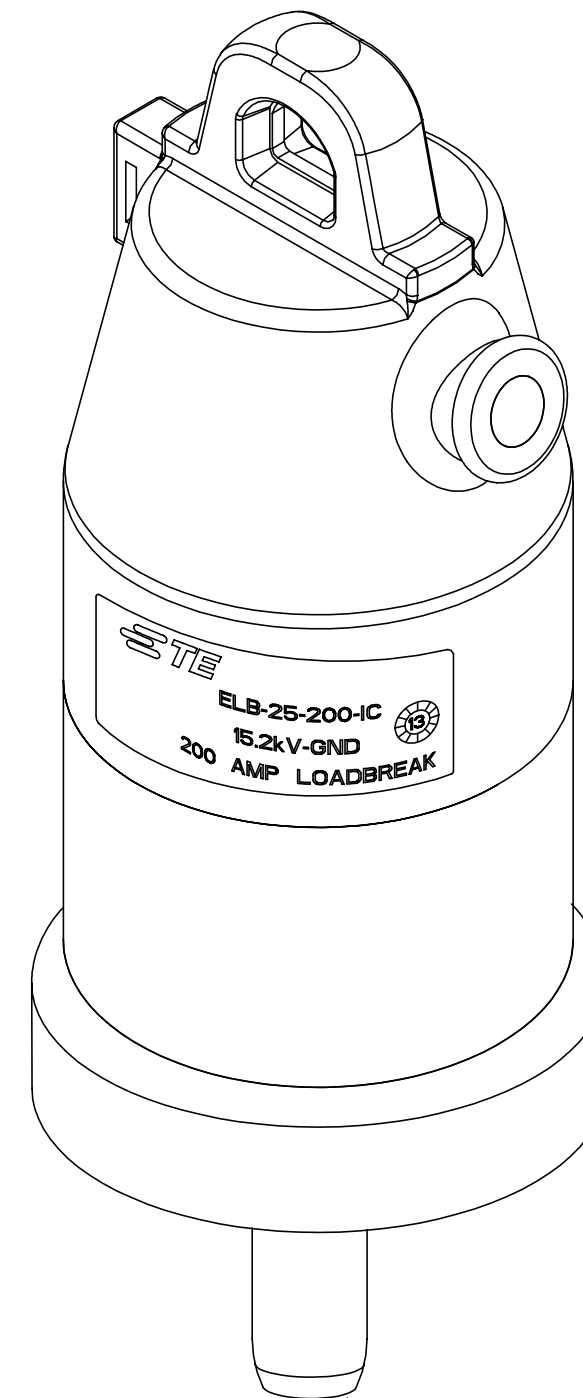
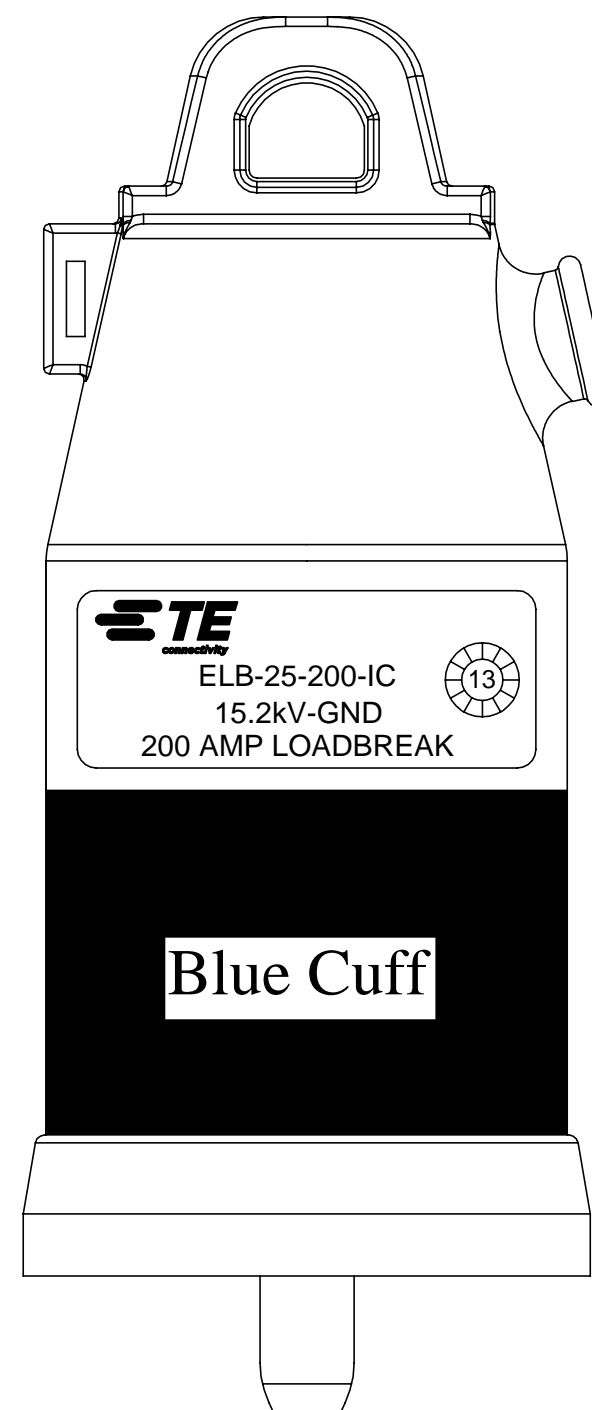
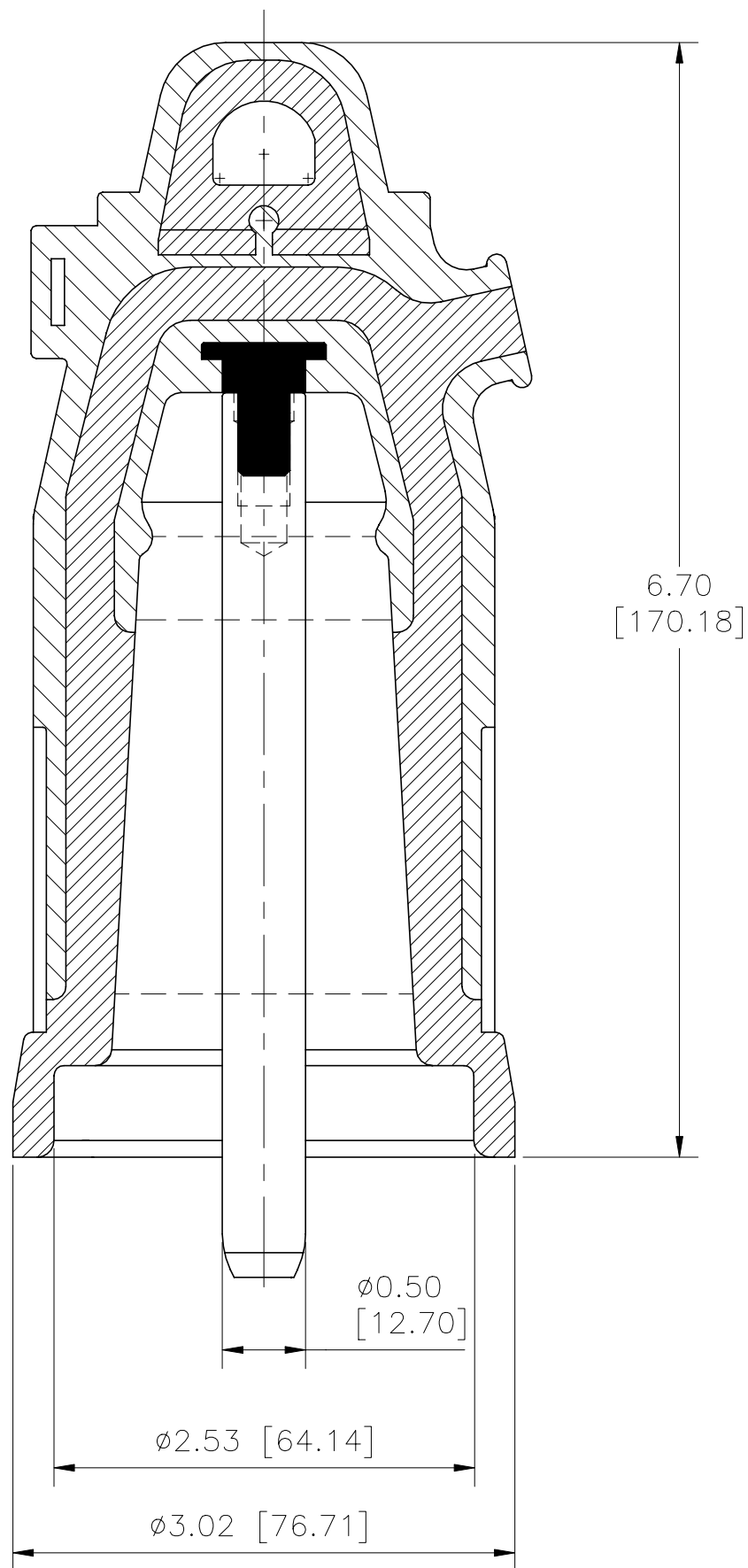


RPN	DESCRIPTION
EE5634-000	ELB-25-200-IC

REVISIONS					
P	LTR	DESCRIPTION	DATE	DWN	APVD
	B	NEW DRAWING	23JUL2020	KR	EDW



DWN	23JUL2020
RAGHAVENDRA K.	
CHK	23JUL2020
WILSON, DAVID E	
APVD	23JUL2020
YAO, WENTAO	
PRODUCT SPEC	
APPLICATION SPEC	
WEIGHT	

**STE** TE Connectivity Ltd.

NAME		25kV 200A INSULATING CAP			
SIZE	CAGE CODE	DRAWING NO	RESTRICTED TO		
A3	00779	C-NC-P5158	-		
CUSTOMER DRAWING		SCALE	SHEET	REV	
		NTS	1 of 1	B	

DIMENSIONS:  
INCHES [mm]