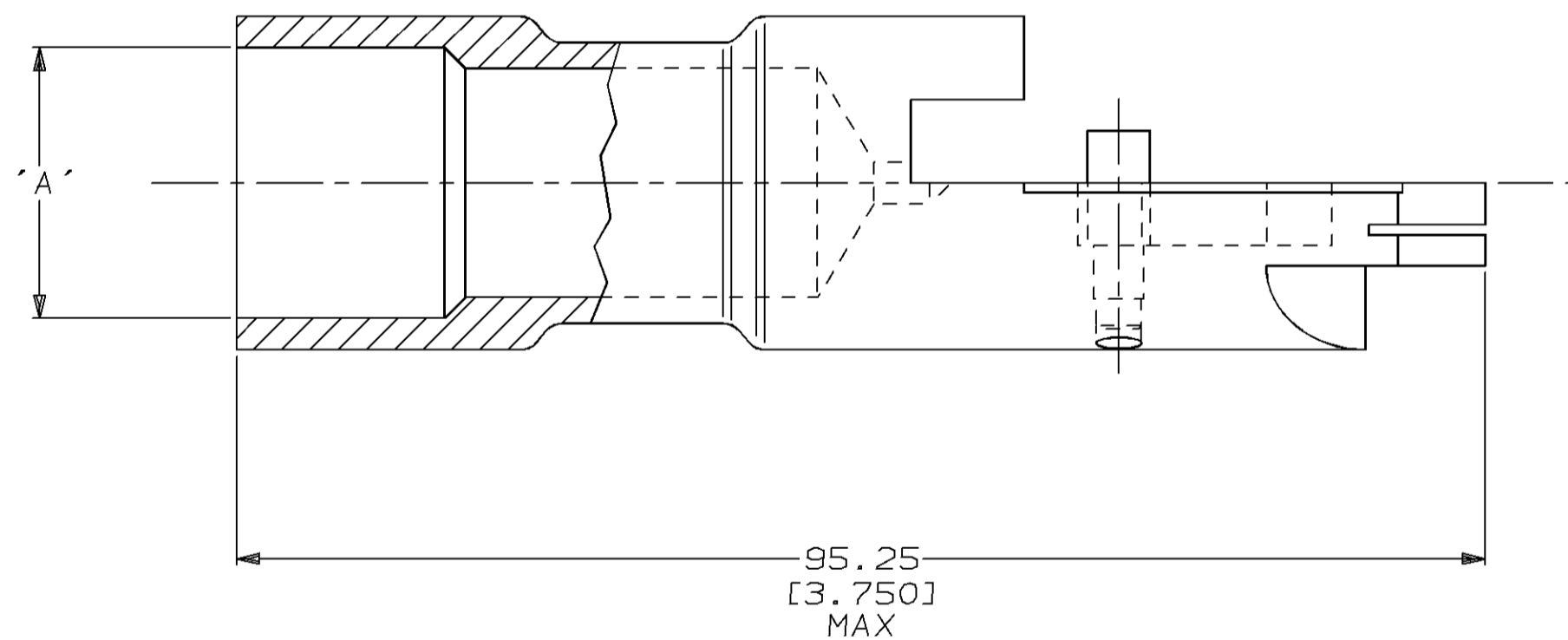
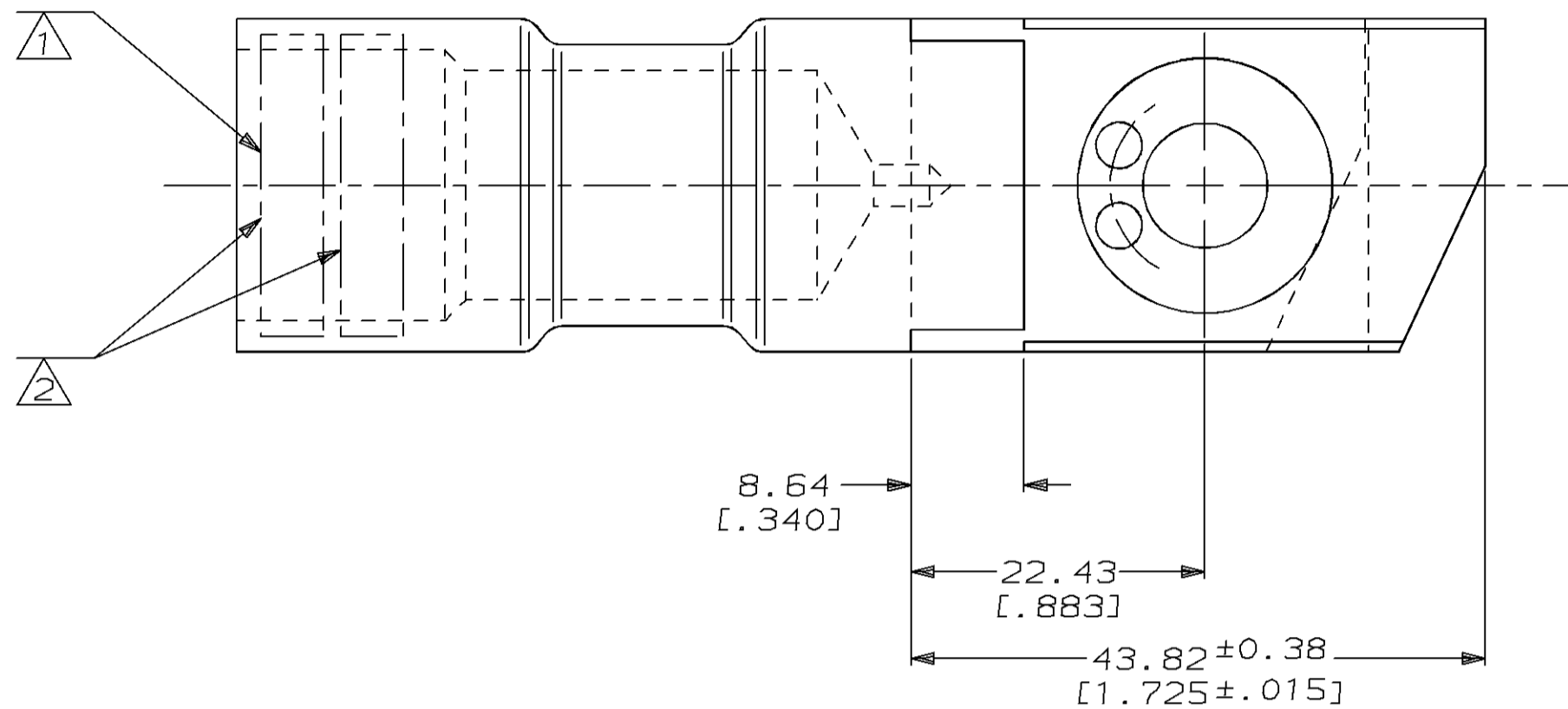
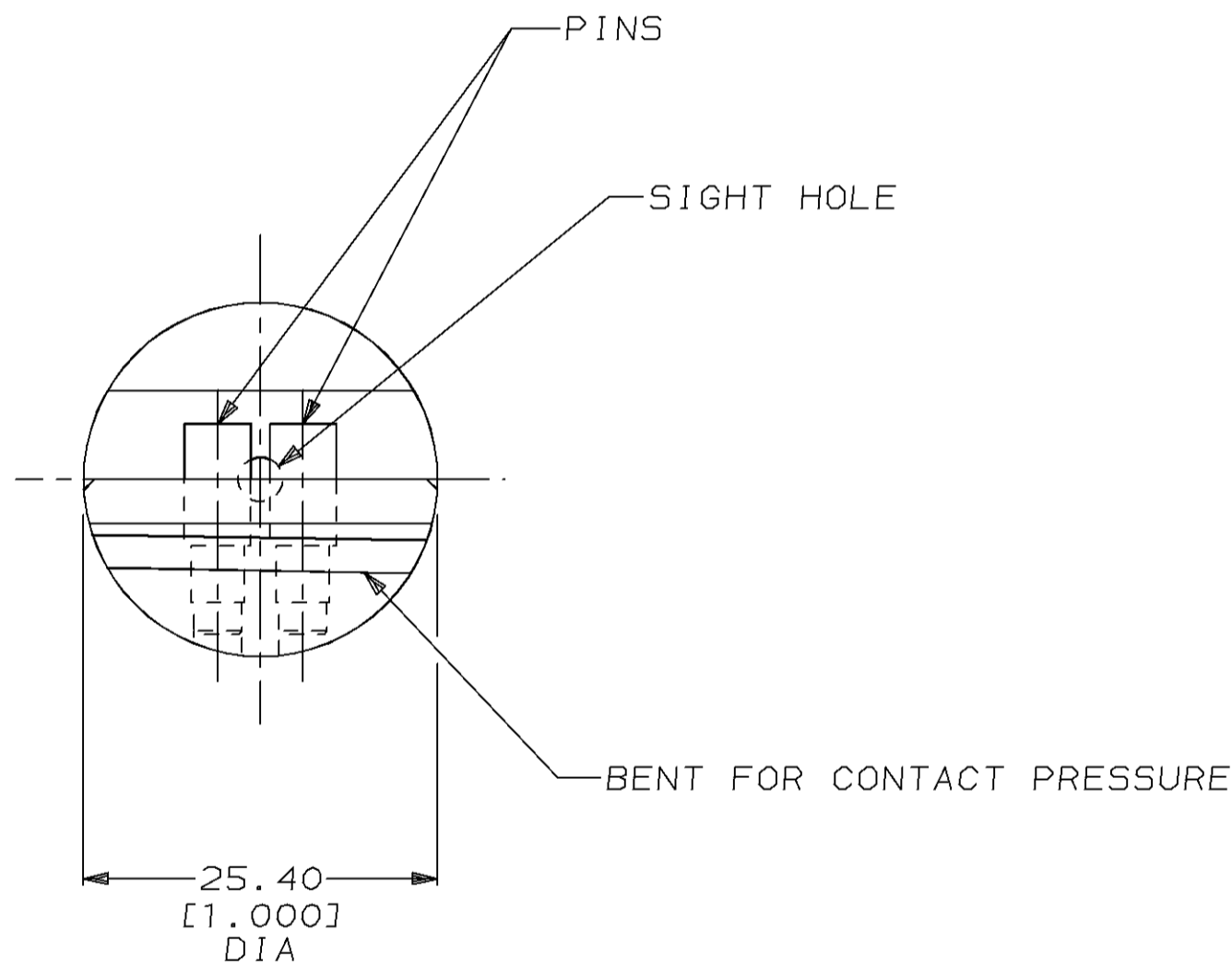


THIS DRAWING IS UNPUBLISHED. RELEASED FOR PUBLICATION  
 BY AMP INCORPORATED. ALL RIGHTS RESERVED.

LOC	DIST	REVISIONS					
		P	LTR	DESCRIPTION	DATE	DWN	APVD
G	86						
		D		REVISED & REDRAWN PER 0720-0856-96	08APR96	DKS	WJV



- 1 STAMP AMP 4/0 APPROX AS SHOWN FOR P/N 53631-1
- 2 STAMP 4/0 A33 @7077D80G16 APPROX AS SHOWN FOR P/N 53631-2



OBSELETE	19.94 [.785]	53631-2
	20.62 [.812]	53631-1
	'A'	AMP PART NUMBER

<small>THIS DRAWING IS A CONTROLLED DOCUMENT FOR AMP INCORPORATED. IT IS SUBJECT TO CHANGE AND THE CONTROLLING ENGINEERING ORGANIZATION SHOULD BE CONTACTED FOR THE LATEST REVISION.</small>		DWN DK SCHRUM 08APR96 CHK WJ VOCKROTH 09APR96 APVD JL MECKLEY 09APR96	<b>AMP</b> AMP Incorporated Harrisburg, PA 17105-3608
DIMENSIONS: mm [INCHES]	TOLERANCES UNLESS OTHERWISE SPECIFIED: 0 PLC ±- 1 PLC ±- 2 PLC ±0.20 [.008] 3 PLC ±- 4 PLC ±- ANGLES ±-	PRODUCT SPEC 108-13014 APPLICATION SPEC	NAME TERMINAL ASSEMBLY, QUICK-DISCONNECT, AMPPOWER, WIRE SIZE: 4/0 AWG
MATERIAL BODY & PINS BRASS PER QQ-B-626	FINISH SILVER PL 0.00254 [.000100] MIN THK PER QQ-S-365	WEIGHT .38 Lbs	SIZE A2 CAGE CODE 00779 DRAWING NO C=53631
CUSTOMER DRAWING			SCALE 2:1 SHEET 1 OF 1 REV D