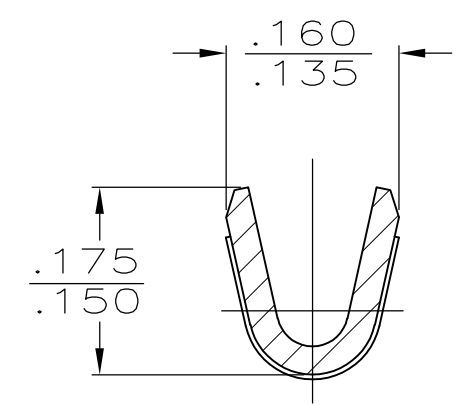
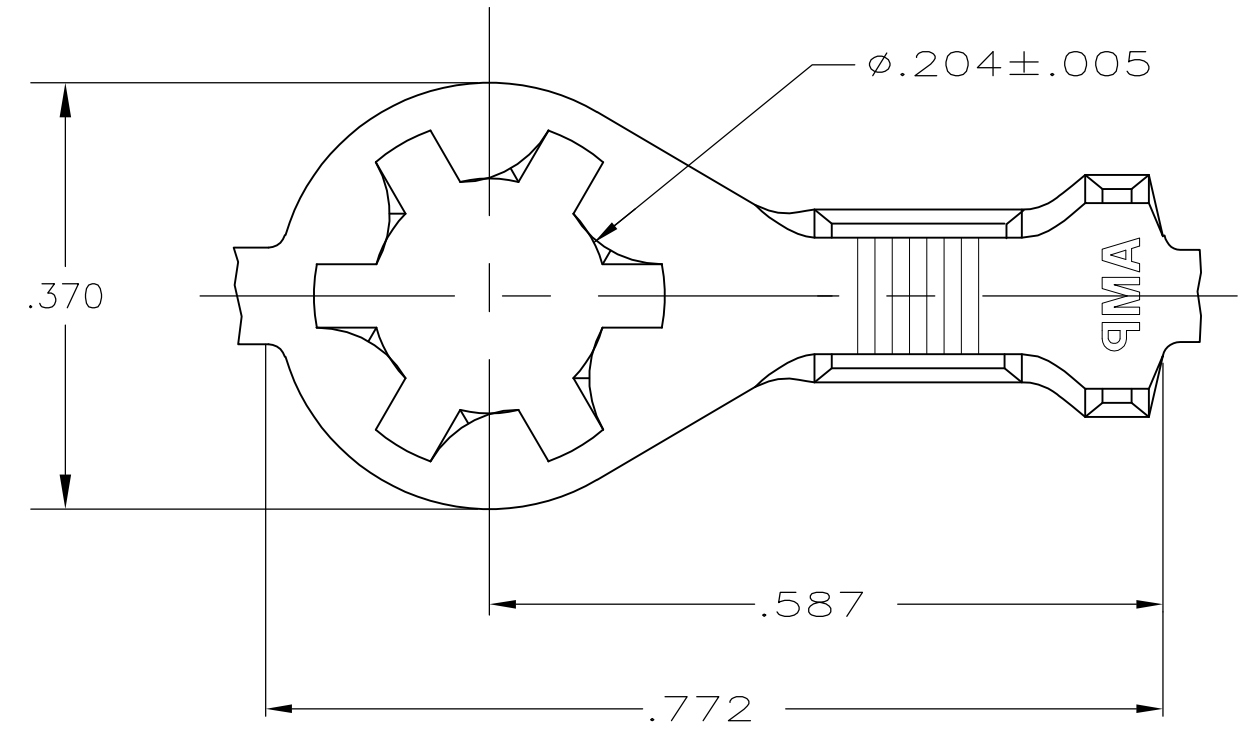


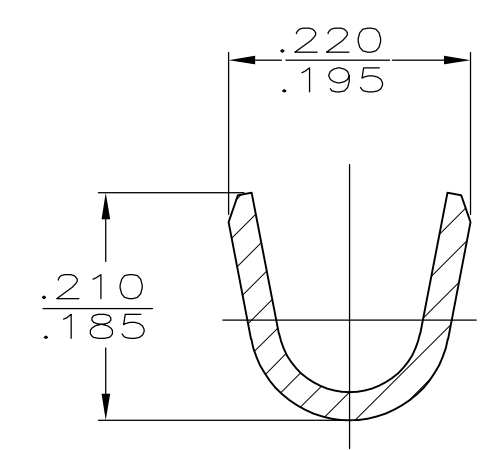
THIS DRAWING IS UNPUBLISHED. RELEASED FOR PUBLICATION
 © COPYRIGHT - By - ALL RIGHTS RESERVED.

LOC	DIST	REVISIONS			
P	LTR	DESCRIPTION	DATE	DWN	APVD
AF	50	E1	REVISED PER ECO 11-008228	19APR11	JR PD

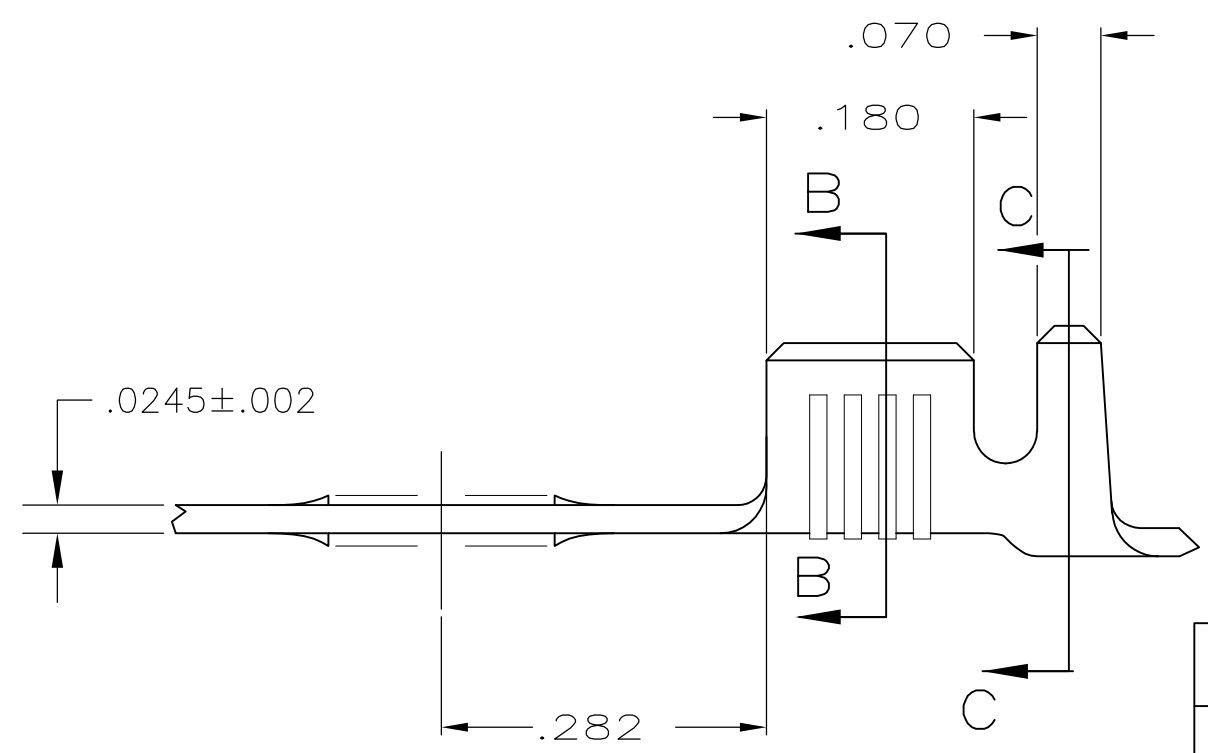
- 1 CONTINUOUS STRIP ON REELS
- △ 2 .000080 MIN TIN PER MIL-T-10727
- 3 WIRE SIZE IS #18-#14 AWG
- 4 INSULATION RANGE IS .105-.145 DIA



SECTION B-B



SECTION C-C



OBSOLETE	△ 2	CR STEEL	350436-2
	△ 2	CR STEEL	350436-1
	FINISH	MATERIAL	PART NO.

THIS DRAWING IS A CONTROLLED DOCUMENT.		DWN RAGHAVENDRA 25SEP2007	STE TE Connectivity	
DIMENSIONS: INCHES		CHK D DECKER 25SEP2007		
TOLERANCES UNLESS OTHERWISE SPECIFIED:		APVD D DECKER 25SEP2007	NAME	
0 PLC ± -		PRODUCT SPEC	RING	
1 PLC ± -			-	
2 PLC ± -		APPLICATION SPEC	-	
3 PLC ± .015			SIZE	CAGE CODE
4 PLC ± -		WEIGHT	A3	00779
ANGLES ± -			DRAWING NO	RESTRICTED TO
MATERIAL SEE TABLE			C-350436	-
FINISH SEE TABLE		CUSTOMER DRAWING		SCALE 6:1
		SHEET 1 OF 1		REV E1