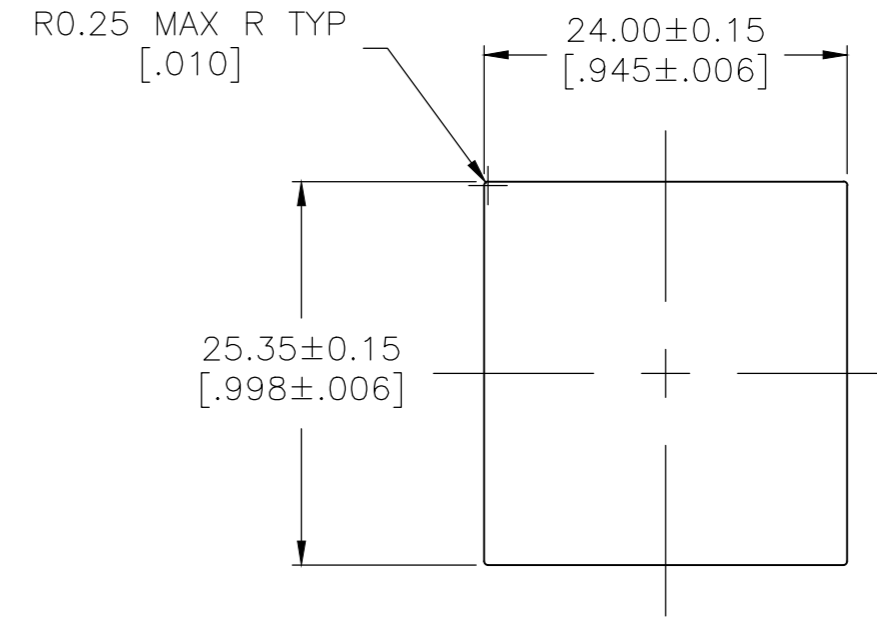
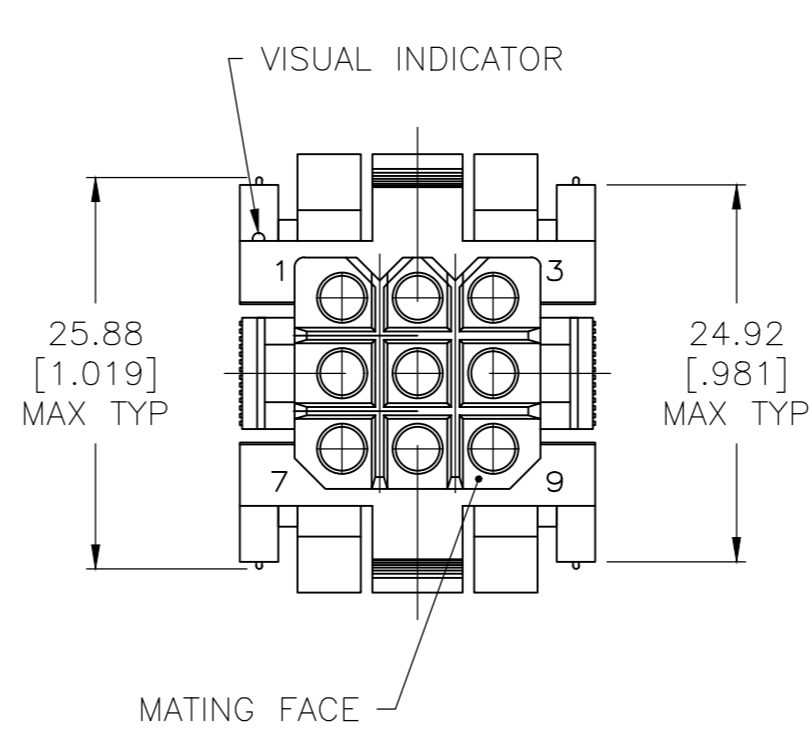
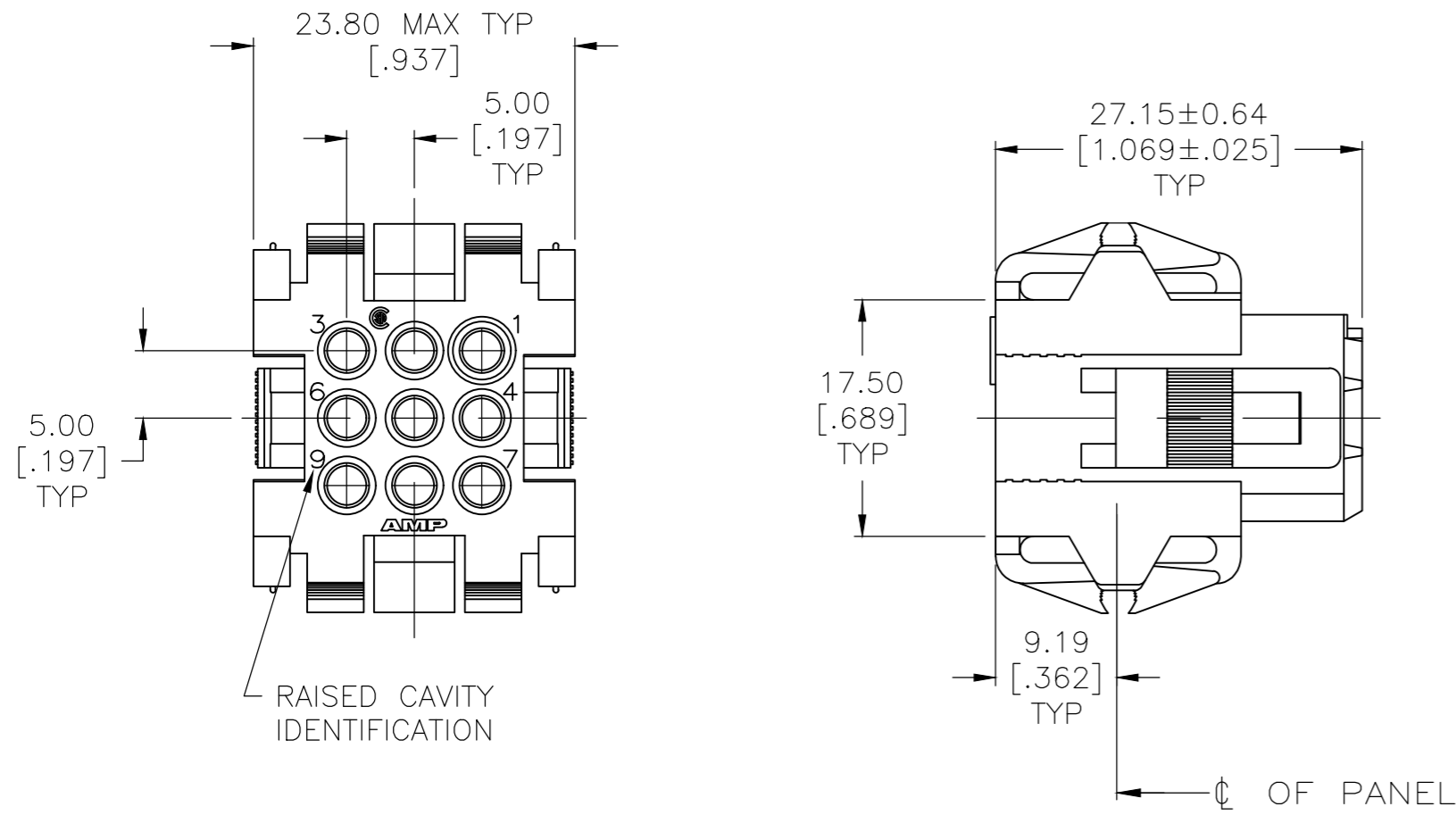


THIS DRAWING IS UNPUBLISHED. RELEASED FOR PUBLICATION  
 © COPYRIGHT - By - ALL RIGHTS RESERVED.

REVISIONS					
P	LTR	DESCRIPTION	DATE	DWN	APVD
H		REVISED PER ECO-20-002227	20FEB2020	RK	MZ



PANEL CUTOUT

1 PANEL RETENTION MECHANISM ACCOMMODATES PANEL THICKNESSES FROM 0.76[0.030] TO 2.29[0.090].

2 HOUSING MATERIAL: PA66, BLACK, UL 94 V-0 RATED.

207439-1  
PART NO.

THIS DRAWING IS A CONTROLLED DOCUMENT.		DWN W.LENKER 08/26/92	<b>STE</b> TE Connectivity		
DIMENSIONS: mm [INCHES]		CHK R.STONE 8-31-92			
TOLERANCES UNLESS OTHERWISE SPECIFIED:		APVD -	NAME HOUSING, PLUG, 9 POSITION, METRIMATE		
0 PLC ± -		PRODUCT SPEC 108-10033	SIZE A2	CAGE CODE 00779	DRAWING NO C=207439
1 PLC ± -		APPLICATION SPEC -	RESTRICTED TO -		
2 PLC ± 0.25[0.010]		WEIGHT -	SCALE 2:1	SHEET 1 of 1	REV H
3 PLC ± -		CUSTOMER DRAWING			
4 PLC ± -					
ANGLES ± -					
FINISH -					