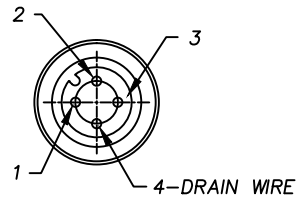
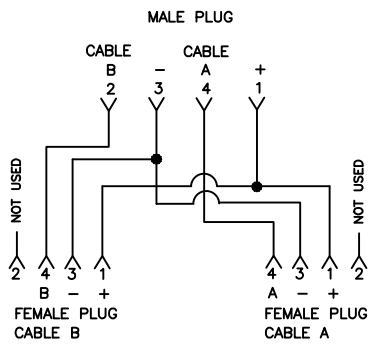


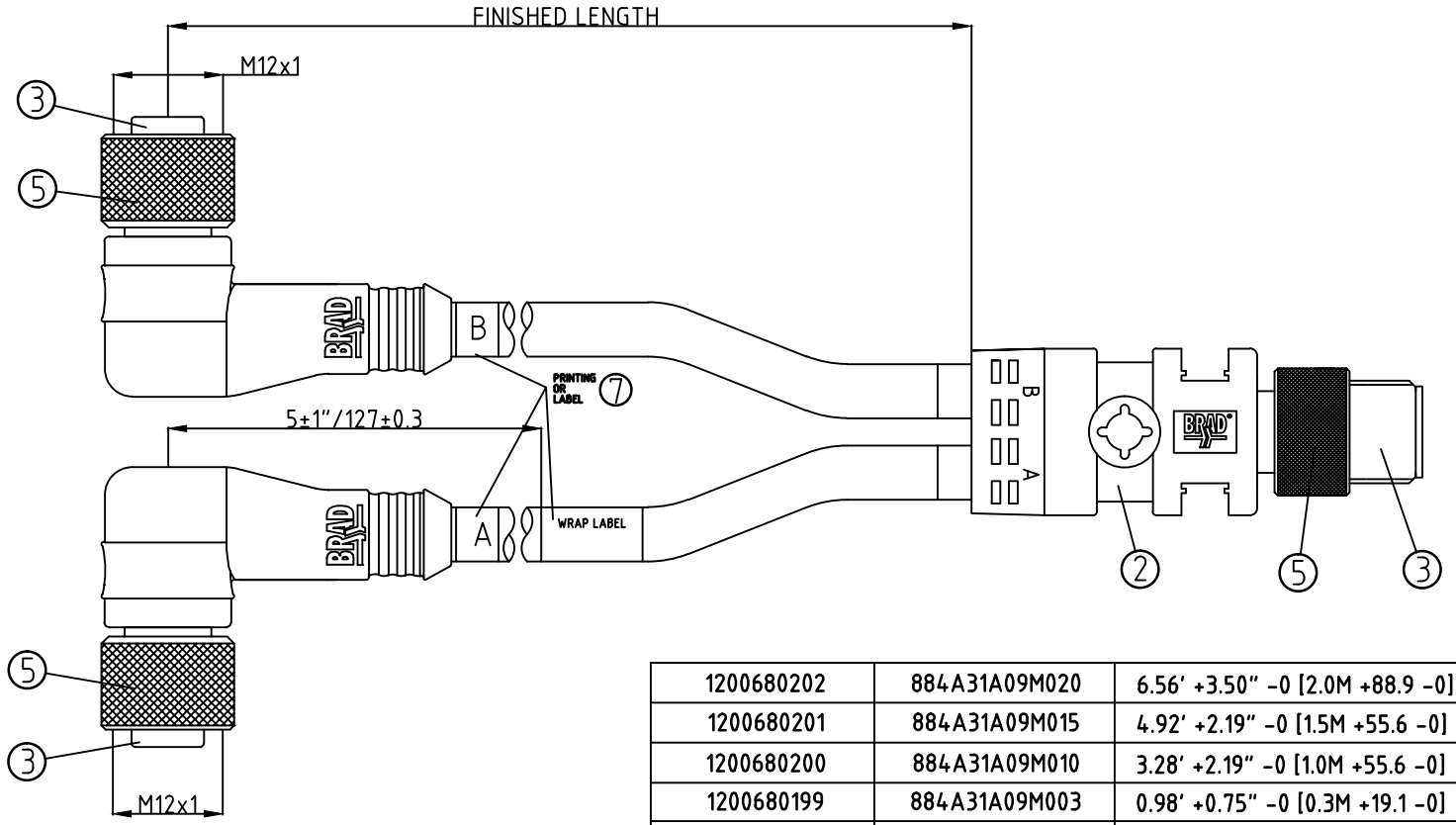
FEMALE INSERT BACK VIEW



FEMALE INSERT FRONT VIEW



WIRING SCHEMATIC



CONNECTOR SPECIFICATION:

VOLTAGE RATING	10 TO 30VDC
AMPERAGE RATING	max. 4 AMPS
PROTECTION	IP67
OPERATING TEMPERATURE	FLEXING: -5°C TO +80°C STATIC: -30°C TO +80°C

ITEM	COMPONENT	MATERIAL	FINISH
7	LABLE	MYLAR	BLACK/YELLOW
6	O-RING	VITON	RED
5	COUPLER	BRASS	NICKEL PLATED
4	PIN CONTACT	COPPER ALLOY	GOLD OVER NICKEL
3	INSERT	PUR	BLACK
2	OVERMOLD	TPU	YELLOW
1	CABLE 22-3 (0.34mm <sup>2</sup> ) (COPPER STRANDING) 4 CONDUCT. 300V	JACKET: PVC	YELLOW

MATERIAL NUMBER	ENGINEERING NUMBER	FINISHED LENGTH
1200680202	884A31A09M020	6.56' +3.50" -0 [2.0M +88.9 -0]
1200680201	884A31A09M015	4.92' +2.19" -0 [1.5M +55.6 -0]
1200680200	884A31A09M010	3.28' +2.19" -0 [1.0M +55.6 -0]
1200680199	884A31A09M003	0.98' +0.75" -0 [0.3M +19.1 -0]

DESCRIPTION EC NO: IPG2015-0675 DRWN: BBRAUCH 2014/11/05 CHKD: REISSNER 2014/11/05 APPR: CBURGER 2010/02/15	QUALITY SYMBOLS ▽ = 0 ▽ = 0	GENERAL TOLERANCES (UNLESS SPECIFIED)	DIMENSION STYLE IN/MM	SCALE 1:1	DESIGN UNITS METRIC	THIRD ANGLE PROJECTION																
		<table border="1"> <thead> <tr> <th></th> <th>mm</th> <th>INCH</th> </tr> </thead> <tbody> <tr> <td>4 PLACES</td> <td>±---</td> <td>±---</td> </tr> <tr> <td>3 PLACES</td> <td>±---</td> <td>±---</td> </tr> <tr> <td>2 PLACES</td> <td>±---</td> <td>±0.1</td> </tr> <tr> <td>1 PLACE</td> <td>±0.3</td> <td>±---</td> </tr> <tr> <td>0 PLACE</td> <td>±---</td> <td>±---</td> </tr> </tbody> </table>		mm	INCH	4 PLACES	±---	±---	3 PLACES	±---	±---	2 PLACES	±---	±0.1	1 PLACE	±0.3	±---	0 PLACE	±---	±---	DRAWN BY BBRAUCH 2010/02/09	ILS M12 4P AC FE RA PVC MA STR XM DE UNSH YL
	mm	INCH																				
4 PLACES	±---	±---																				
3 PLACES	±---	±---																				
2 PLACES	±---	±0.1																				
1 PLACE	±0.3	±---																				
0 PLACE	±---	±---																				
2	REV	DRAFT WHERE APPLICABLE MUST REMAIN WITHIN DIMENSIONS		APPROVED BY NSTAUDIG 2010/02/15	MATERIAL NO. DOCUMENT NO. SD-120068-025																	
		SIZE A3	THIS DRAWING CONTAINS INFORMATION THAT IS PROPRIETARY TO MOLEX INCORPORATED AND SHOULD NOT BE USED WITHOUT WRITTEN PERMISSION																			

