

SF-5EP1N8AWA00S - Device connector front mounting



1617909

<https://www.phoenixcontact.com/us/products/1617909>

Please be informed that the data shown in this PDF document is generated from our online catalog. Please find the complete data in the user documentation. Our general terms of use for downloads are valid.



Device connector front mounting, straight, SPEEDCON, M23, number of positions: 5+PE, contact connection type: Pin, Axial O-ring, 4x Ø 3.2, shielded: yes, flange dimensions: 26 mm x 26 mm, degree of protection: IP67, number of positions: 6, connection method: Crimp connection, series: SF

Commercial data

Item number	1617909
Packing unit	1 pc
Minimum order quantity	20 pc
Note	Made to order (non-returnable)
Sales key	AB35
Product key	ABRBFL
GTIN	4046356581035
Weight per piece (including packing)	37.915 g
Weight per piece (excluding packing)	35.63 g
Customs tariff number	85366990
Country of origin	DE

SF-5EP1N8AWA00S - Device connector front mounting



1617909

<https://www.phoenixcontact.com/us/products/1617909>

Technical data

Notes

General	Order crimp contacts 6 x Ø 2 mm separately
Safety note	
Safety note	<p>WARNING: The connectors may not be plugged in or disconnected under load. Ignoring the warning or improper use may damage persons and/or property.</p> <ul style="list-style-type: none"> • WARNING: Commission properly functioning products only. The products must be regularly inspected for damage. Decommission defective products immediately. Replace damaged products. Repairs are not possible. • WARNING: Only electrically qualified personnel may install and operate the product. They must observe the following safety notes. The qualified personnel must be familiar with the basics of electrical engineering. They must be able to recognize and prevent danger. The relevant symbol on the packaging indicates that only personnel familiar with electrical engineering are allowed to install and operate the product. • The products are suitable for applications in plant, controller, and electrical device engineering. • When operating the connectors in outdoor applications, they must be separately protected against environmental influences. • Assembled products may not be manipulated or improperly opened. • Only use mating connectors that are specified in the technical data of the standards listed (e.g. the ones listed in the product accessories online at phoenixcontact.com/products). • When using the product in direct connection with third-party manufacturers, the user is responsible. • For operating voltages > 50 V AC, conductive connector housings must be grounded • Ensure that the protective or functional ground has been properly connected. • VDE 0100/1.97 § 411.1.3.2 and DIN EN 60 204/11.98 § 14.1.3 are applicable when combining several circuits in a cable and/or connector • Only use tools recommended by Phoenix Contact • The installation notes/Design In documents online on the download page at phoenixcontact.com/products must be observed for this product. • Operate the connector only when it is fully plugged in and interlocked. • Ensure that when laying the cable, the tensile load on the connectors does not exceed the upper limit specified in the standards. • Observe the minimum bending radius of the cable. Lay the cable without twisting it. • The connector warms up in normal operation. Depending on the ambient conditions, the surface of the connector can continue to warm up. In this case, the user is responsible for posting

SF-5EP1N8AWA00S - Device connector front mounting



1617909

<https://www.phoenixcontact.com/us/products/1617909>

warnings (e.g. DIN EN ISO 13732-1:2008-12).

Mounting

Mounting	4x Ø 3.2
Connection method	Crimp connection

Product properties

Product type	Circular connectors (device side)
Number of positions	6
Connection profile	5+PE
Application	Power
Series	SF
Shielded	yes
Coding	N
Thread type	M23

Dimensions

Housing

Flange dimensions	26 mm x 26 mm
-------------------	---------------

Material specifications

Flammability rating according to UL 94	V0
Seal material	FPM
Housing material	GD-Zn

Electrical properties

Contact

Contact diameter	2 mm
Max. current	30 A
Nominal voltage U_N	630 V
Overvoltage category	III
Degree of pollution	3
Rated surge voltage	6 kV

Contact

Contact diameter	2 mm
Max. current	9 A
Nominal voltage U_N	250 V
Overvoltage category	III
Degree of pollution	3
Rated surge voltage	4 kV

Connection data

Conductor connection

SF-5EP1N8AWA00S - Device connector front mounting



1617909

<https://www.phoenixcontact.com/us/products/1617909>

Connection method	Crimp connection
Contact connection type	Pin

Connector

Type	straight
------	----------

Connection 1

Head design	Plug
-------------	------

Environmental and real-life conditions

Ambient conditions

Degree of protection	IP67
Ambient temperature (operation)	-40 °C ... 125 °C
Altitude	3000 m

SF-5EP1N8AWA00S - Device connector front mounting

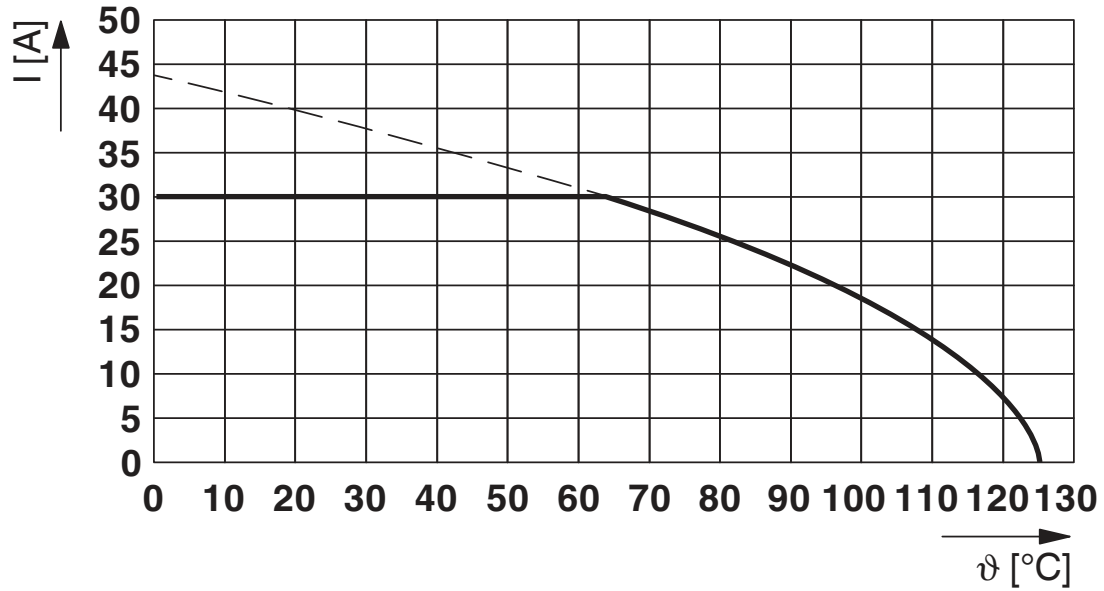


1617909

<https://www.phoenixcontact.com/us/products/1617909>

Drawings

Diagram

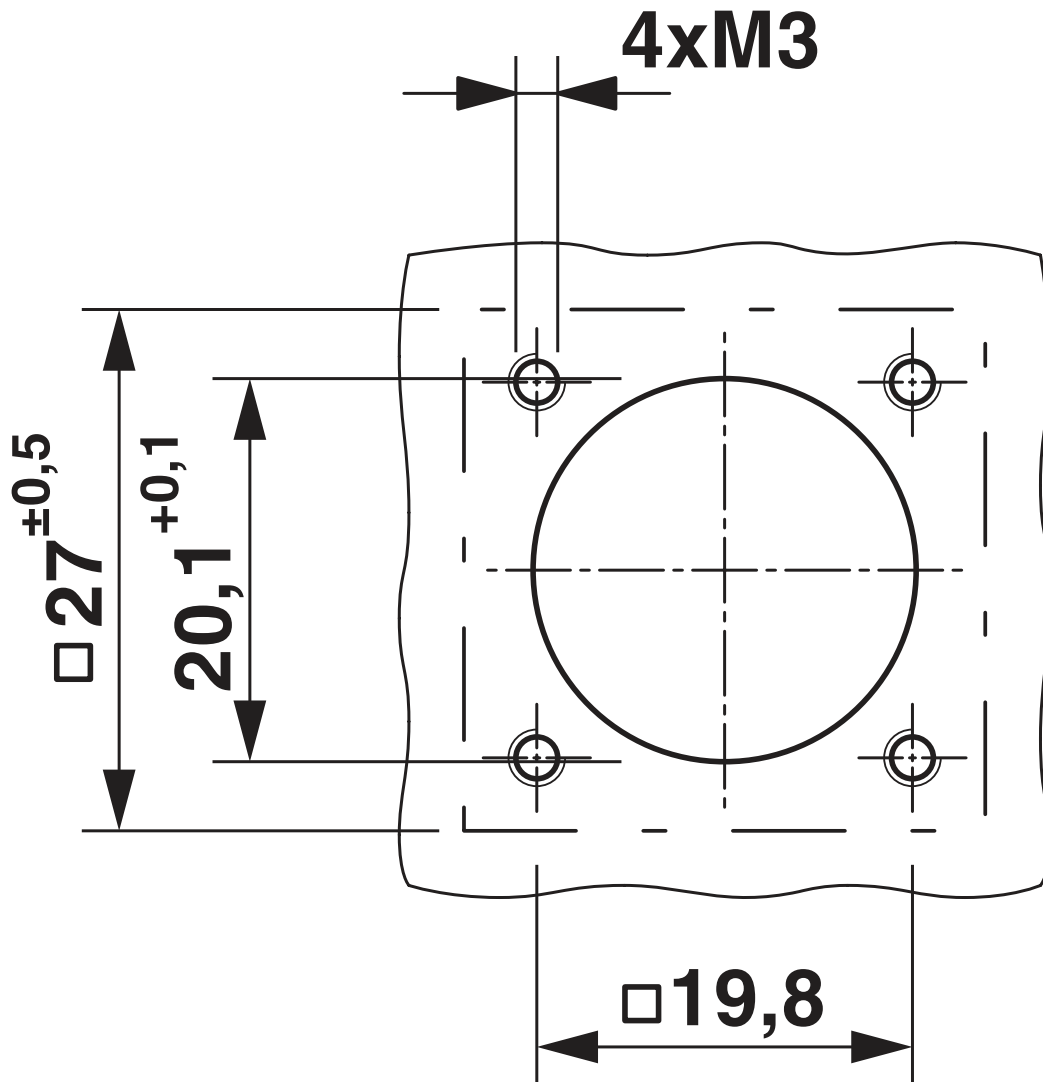


SF-5EP1N8AWA00S - Device connector front mounting

1617909

<https://www.phoenixcontact.com/us/products/1617909>

Dimensional drawing



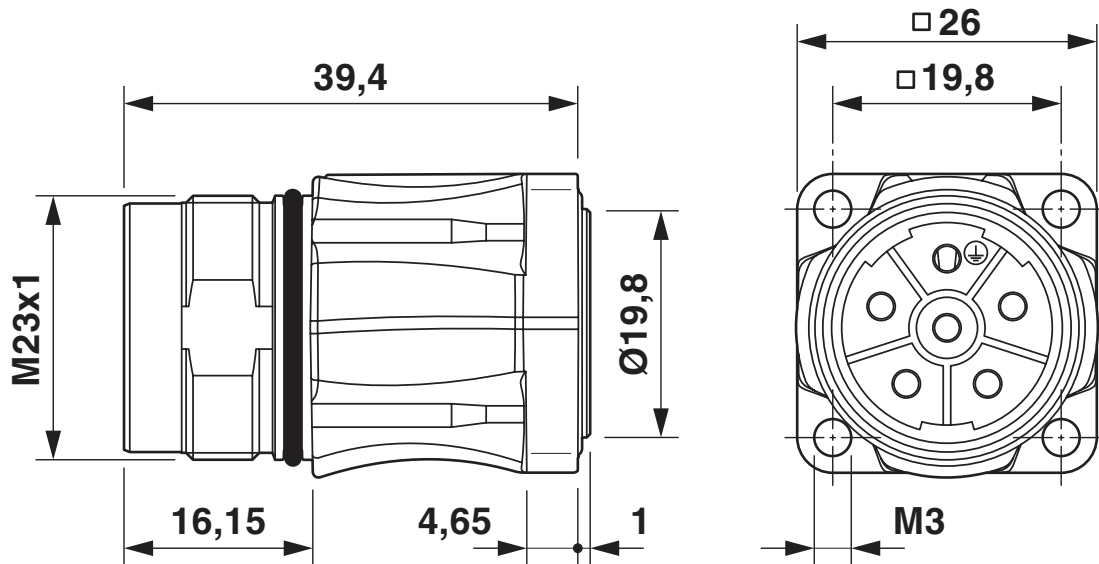
Installation dimensions

SF-5EP1N8AWA00S - Device connector front mounting

1617909

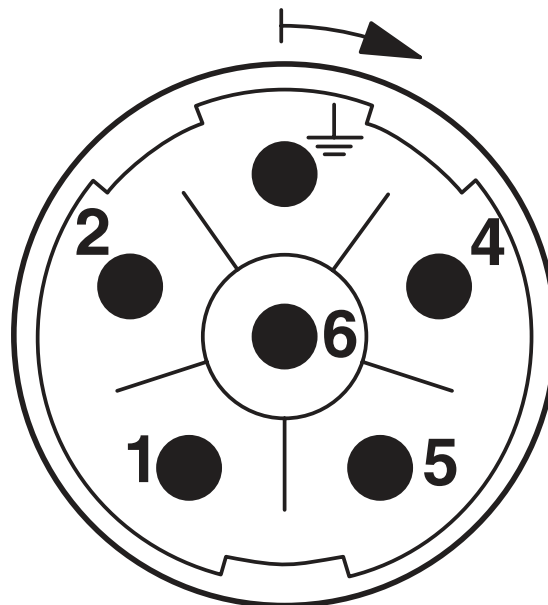
<https://www.phoenixcontact.com/us/products/1617909>

Dimensional drawing



Dimensional drawing

Schematic diagram



SF-5EP1N8AWA00S - Device connector front mounting





1617909


<https://www.phoenixcontact.com/us/products/1617909>

Approvals

To download certificates, visit the product detail page: <https://www.phoenixcontact.com/us/products/1617909>

 cUL Recognized Approval ID: E153698-20041116				
	Nominal voltage U_N	Nominal current I_N	Cross section AWG	Cross section mm^2
	600 V	18 A	- 12	-

 UL Recognized Approval ID: E153698-20041116				
	Nominal voltage U_N	Nominal current I_N	Cross section AWG	Cross section mm^2
	600 V	27 A	- 12	-

 EAC Approval ID: B.01687	
---	--

cULus Recognized	
-------------------------	--

SF-5EP1N8AWA00S - Device connector front mounting



1617909

<https://www.phoenixcontact.com/us/products/1617909>

Classifications

ECLASS

ECLASS-11.0	27440102
ECLASS-12.0	27440116
ECLASS-13.0	27440116

ETIM

ETIM 8.0	EC002635
----------	----------

UNSPSC

UNSPSC 21.0	39121400
-------------	----------

SF-5EP1N8AWA00S - Device connector front mounting



1617909

<https://www.phoenixcontact.com/us/products/1617909>

Environmental product compliance

China RoHS	Environmentally friendly use period: unlimited = EFUP-e
	No hazardous substances above threshold values

SF-5EP1N8AWA00S - Device connector front mounting

1617909

<https://www.phoenixcontact.com/us/products/1617909>

Accessories

SF-7RP2000 - Crimp contact

1605646

<https://www.phoenixcontact.com/us/products/1605646>



Crimp contact, Pin, turned, Single contact, contact diameter: 2 mm, crimp range: 0.14 mm² ... 0.25 mm², Alternative product in accordance with RoHS II without Exemption 6c (Pb <0.1%) item no.: 1241951

SF-7PP2000 - Crimp contact

1605634

<https://www.phoenixcontact.com/us/products/1605634>



Crimp contact, Pin, turned, Single contact, contact diameter: 2 mm, crimp range: 0.25 mm² ... 1 mm², Alternative product in accordance with RoHS II without Exemption 6c (Pb <0.1%) item no.: 1241951

SF-5EP1N8AWA00S - Device connector front mounting

1617909

<https://www.phoenixcontact.com/us/products/1617909>

SF-20KP004 - Crimp contact

1607376

<https://www.phoenixcontact.com/us/products/1607376>



Crimp contact, Pin, turned, contact diameter: 2 mm, crimp range: 0.75 mm² ... 1.5 mm², Alternative product in accordance with RoHS II without Exemption 6c (Pb <0.1%) item no.: 1241953

SF-7QP2000 - Crimp contact

1605639

<https://www.phoenixcontact.com/us/products/1605639>



Crimp contact, Pin, turned, Single contact, contact diameter: 2 mm, crimp range: 1 mm² ... 2.5 mm², Alternative product in accordance with RoHS II without Exemption 6c (Pb <0.1%) item no.: 1241953

SF-5EP1N8AWA00S - Device connector front mounting



1617909

<https://www.phoenixcontact.com/us/products/1617909>

SF-7MP2000 - Crimp contact

1605626

<https://www.phoenixcontact.com/us/products/1605626>



Crimp contact, Pin, turned, Single contact, contact diameter: 2 mm, crimp range: 4 mm² ... 4 mm², Alternative product in accordance with RoHS II without Exemption 6c (Pb <0.1%) item no.: 1241948

SF-Z0019 - Protective cap

1607449

<https://www.phoenixcontact.com/us/products/1607449>



Plastic protection cap, with eye, IP40 for connectors with M23 external thread, RF, SF series

SF-5EP1N8AWA00S - Device connector front mounting

1617909

<https://www.phoenixcontact.com/us/products/1617909>

RC-Z2059 - Protective cap

1604225

<https://www.phoenixcontact.com/us/products/1604225>

Plastic protection cap for connectors with M23 external thread



RC-Z2469 - Protective cap

1611797

<https://www.phoenixcontact.com/us/products/1611797>

Plastic protection cap, antistatic, for RF, SF, CA, RC series connectors, with M23 external thread



SF-5EP1N8AWA00S - Device connector front mounting

1617909

<https://www.phoenixcontact.com/us/products/1617909>

SC-Z2319 - Metal protective cap

1605456

<https://www.phoenixcontact.com/us/products/1605456>

Metal protection cap for power connectors with M23 external thread



SC-Z2320 - Metal protective cap

1605457

<https://www.phoenixcontact.com/us/products/1605457>

Metal protection cap with steel wire for power connectors with M23 external thread



SF-5EP1N8AWA00S - Device connector front mounting

1617909

<https://www.phoenixcontact.com/us/products/1617909>

RF-Z0017 - Color-coding

1620624

<https://www.phoenixcontact.com/us/products/1620624>

Color-coding, color: green



RF-Z0018 - Color-coding

1620625

<https://www.phoenixcontact.com/us/products/1620625>

Color-coding, color: orange



SF-5EP1N8AWA00S - Device connector front mounting



1617909

<https://www.phoenixcontact.com/us/products/1617909>

RF-Z0019 - Color-coding

1620626

<https://www.phoenixcontact.com/us/products/1620626>

Color-coding, color: anthracite



Phoenix Contact 2023 © - all rights reserved

<https://www.phoenixcontact.com>

Phoenix Contact USA
586 Fulling Mill Road
Middletown, PA 17057, United States
(+717) 944-1300
info@phoenixcon.com