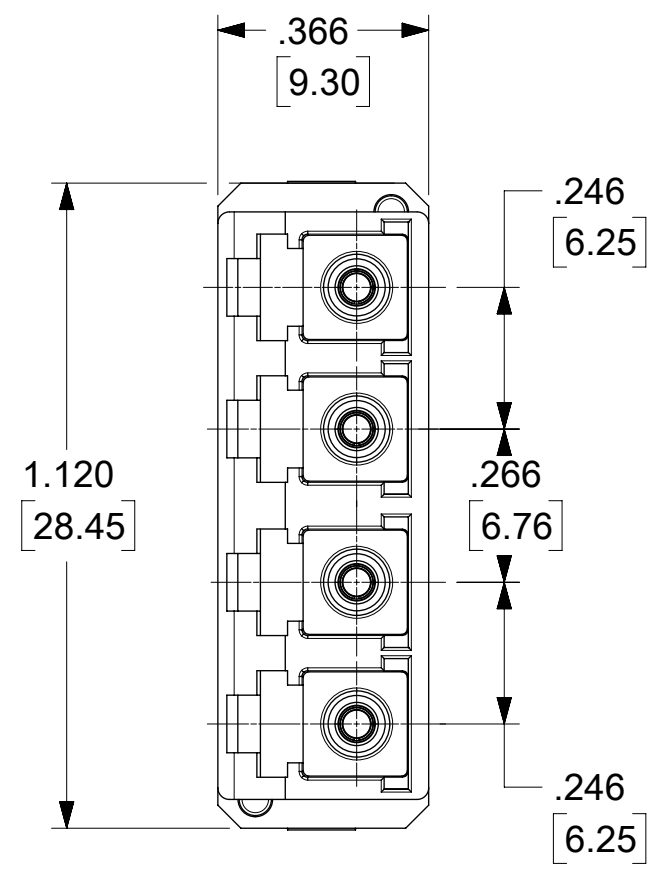
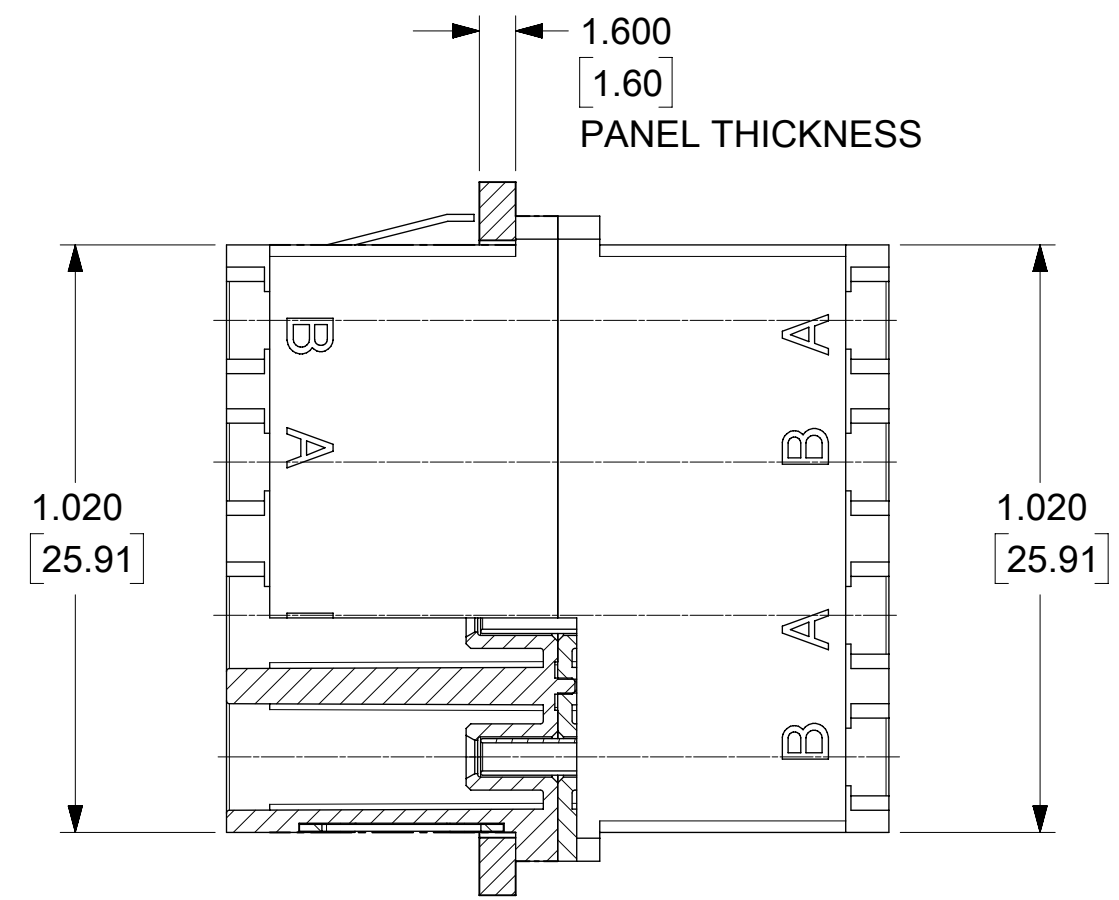
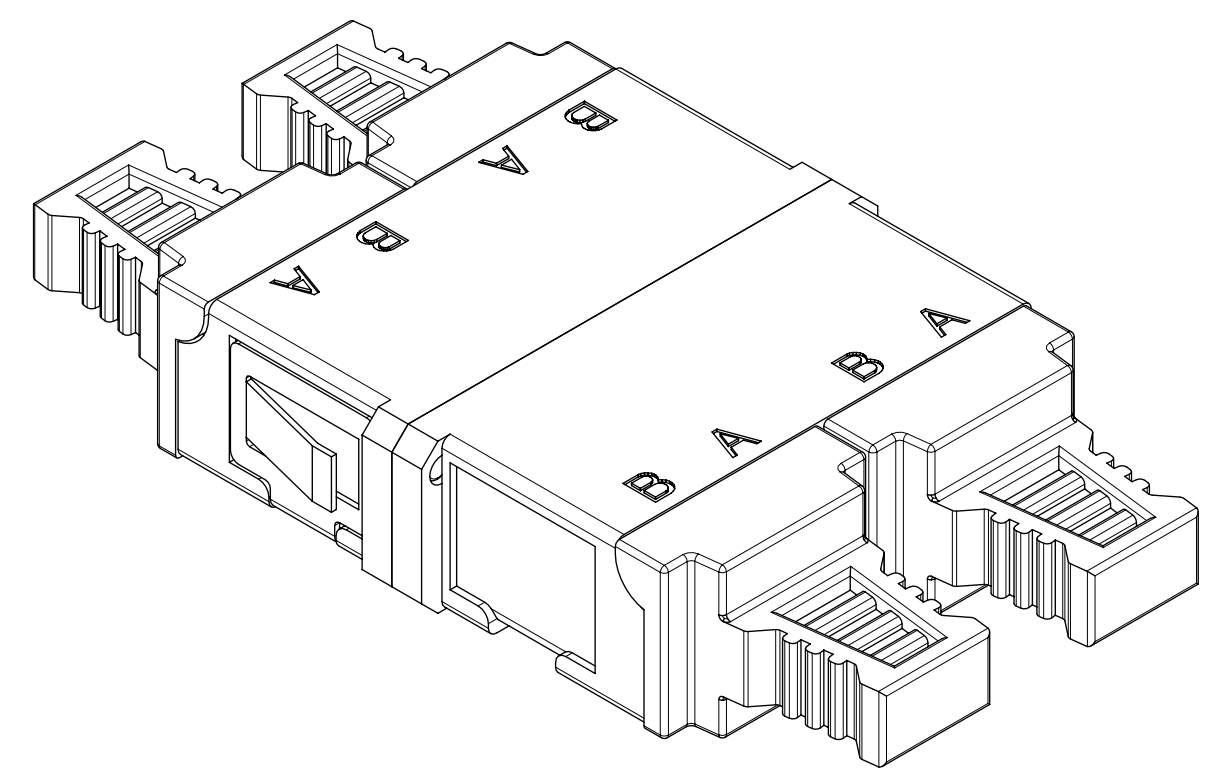
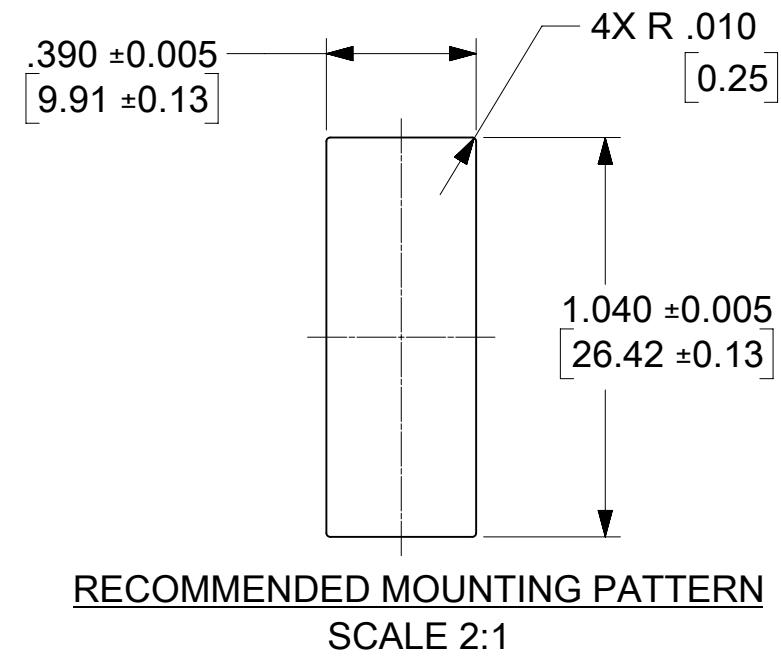
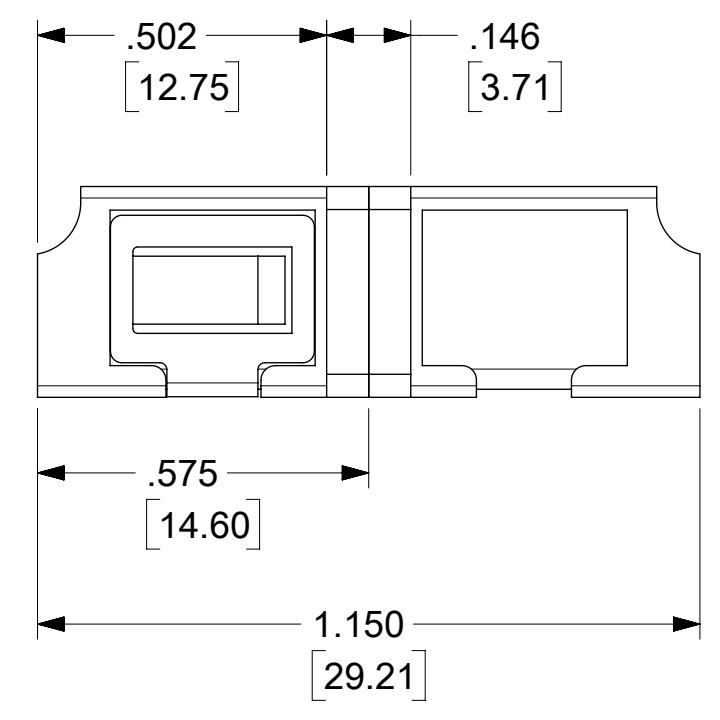
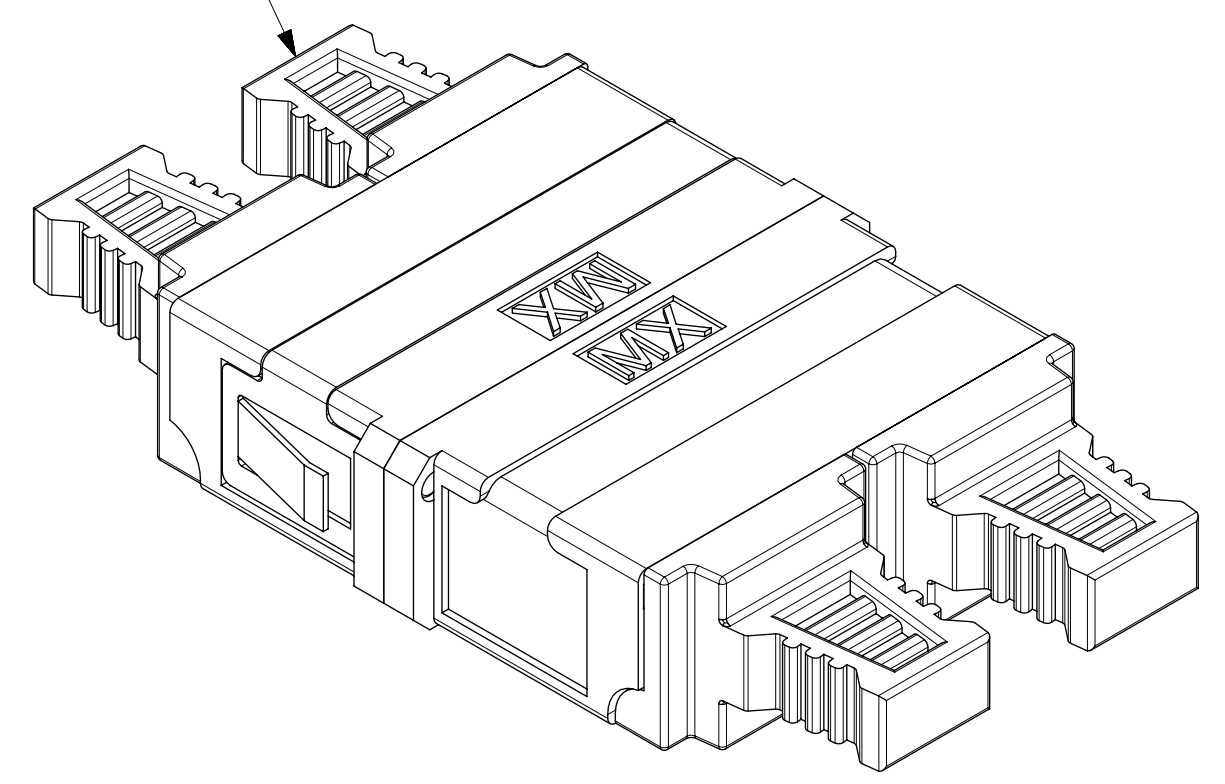


LC QUAD ADAPTER P/N	ADAPTER COLOR	SPLIT SLEEVE MATERIAL
1061230300	BLUE	Zr
1061231300	BEIGE	Zr
1061231320		Zr
1061231350	BLUE	Zr
1061232300	GREEN	Zr
1061233300	AQUA	Zr
1061233320		Zr



WHITE DUST CAP
(4X)



NOTES:

1. ALL DIMENSIONS ARE FOR REFERENCE ONLY.
2. DUST CAPS ARE SHOWN IN ISOMETRIC VIEWS ONLY.
3. LC QUAD ADAPTER HAS SC DUPLEX ADAPTER FOOTPRINT.

FUNCTIONAL SYMBOLS		THIS DRAWING CONTAINS INFORMATION THAT IS PROPRIETARY TO MOLEX ELECTRONIC TECHNOLOGIES, LLC AND SHOULD NOT BE USED WITHOUT WRITTEN PERMISSION			
DIMENSION UNITS		SCALE		CURRENT REV DESC:	
HYBRID		3:1		EC NO: 689237	
GENERAL TOLERANCES (UNLESS SPECIFIED)		ANGULAR TOL ± °		DRWN: JHUANG18 2021/12/10	
4 PLACES ±		3 PLACES ±		CHK'D: IGUMIN 2021/12/21	
DIVISIONAL SYMBOLS		2 PLACES ±		APPR: IGUMIN 2021/12/21	
1 PLACE ±		INITIAL REVISION:		DRWN: PGIBLIN 2005/12/06	
0 PLACES ±		APPR: IGUMIN 2005/12/06		DOCUMENT NUMBER	
DRAFT WHERE APPLICABLE MUST REMAIN WITHIN DIMENSIONS		THIRD ANGLE PROJECTION		DRAWING	
C-SIZE		SERIES		MATERIAL NUMBER	
106123		SEE TABLE		CUSTOMER	
GENERAL MARKET		SHEET NUMBER		1 OF 1	



LC QUAD ADAPTER, SMALL FLANGE, SNAP MOUNT (SC DUPLEX FOOTPRINT)

PRODUCT CUSTOMER DRAWING

SD-106123-X300 PSD 001 B