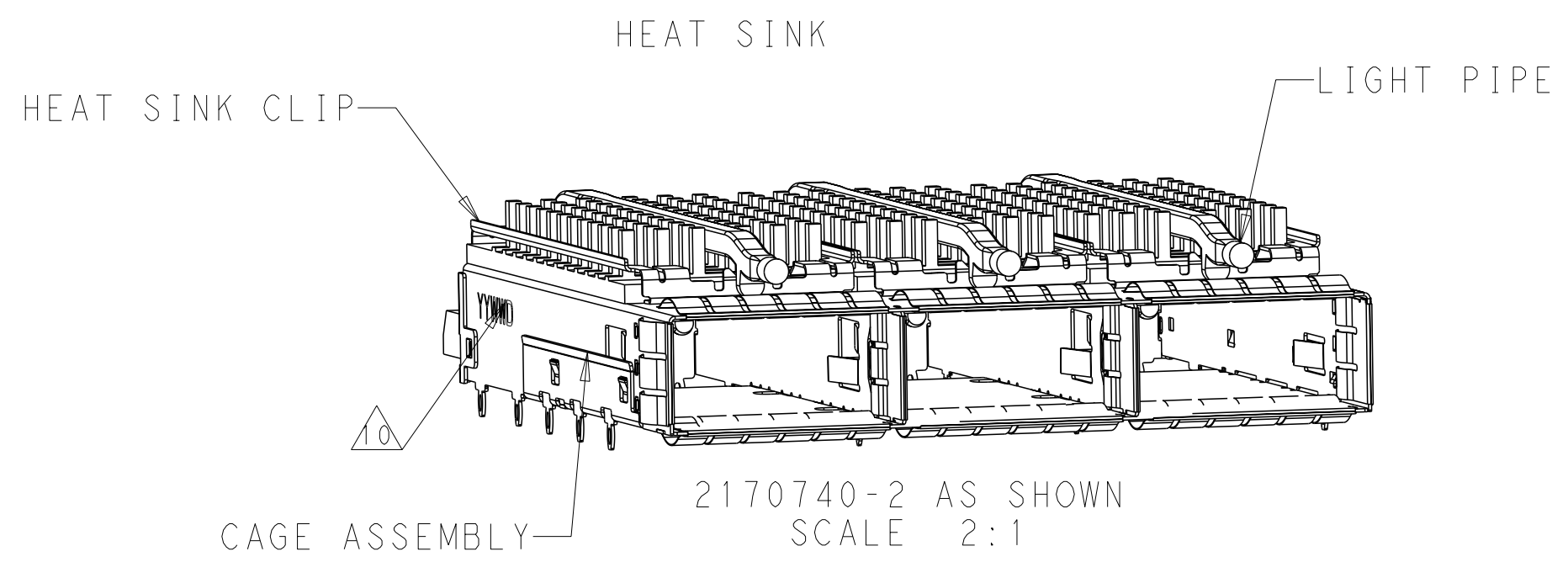
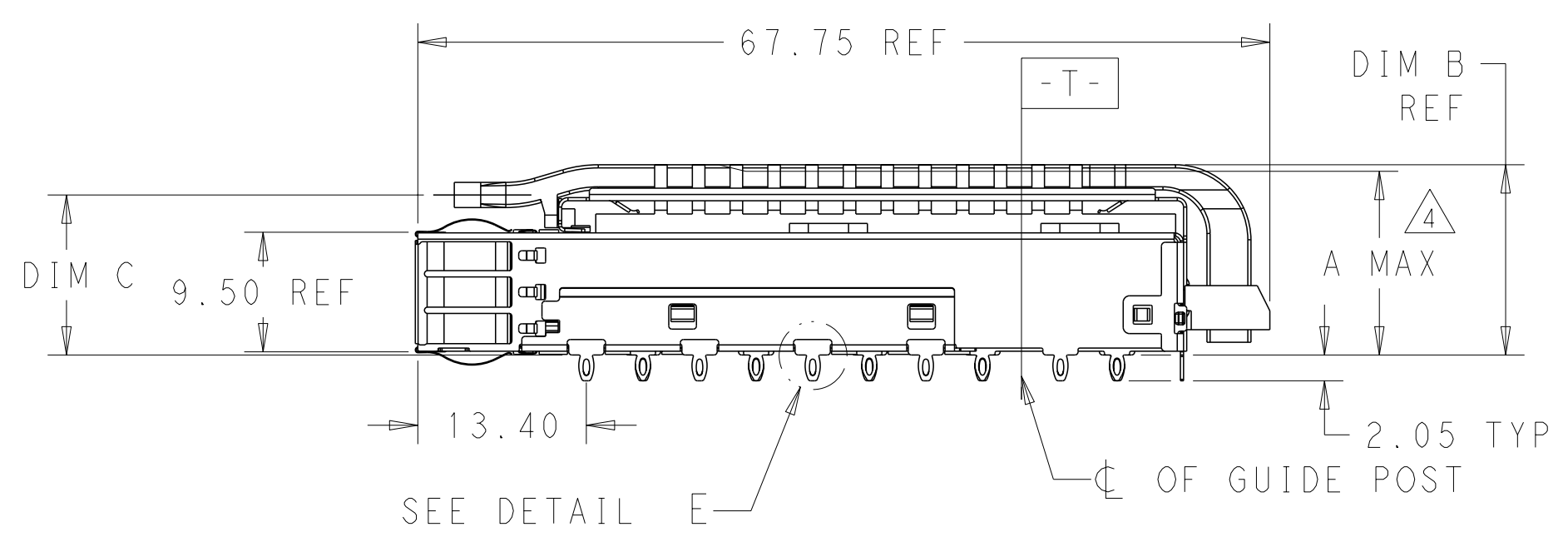
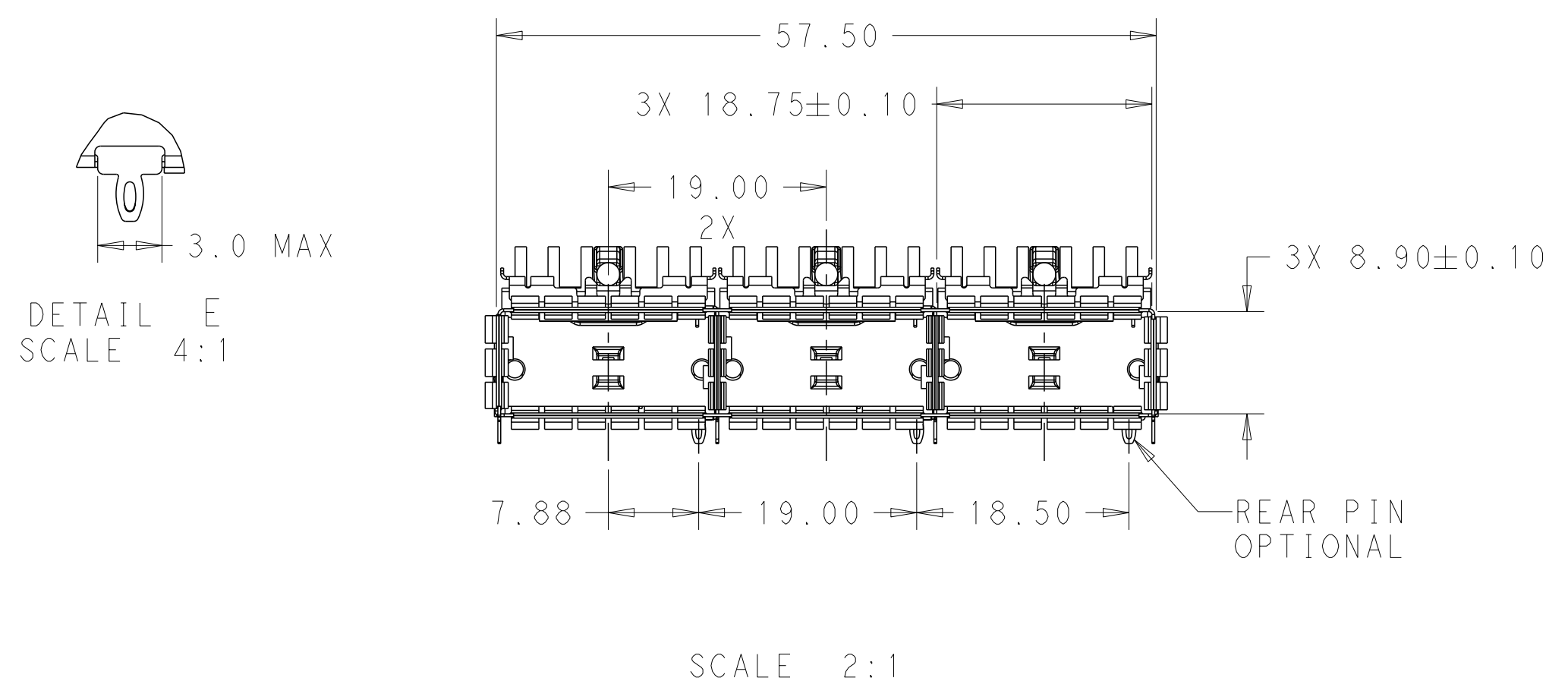


THIS DRAWING IS UNPUBLISHED. RELEASED FOR PUBLICATION 20  
 © COPYRIGHT 20 BY - ALL RIGHTS RESERVED.

LOC	DIST	REVISIONS					
GP	00	P	LTR	DESCRIPTION	DATE	DWN	APVD
		A		RELEASE	01NOV2016	JY	SH
		A6		ECN-23-196994	06JAN2023	RY	SZ



1. COMPONENTS  
 CAGE ASSEMBLY: NICKEL-SILVER ALLOY  
 HEAT SINK: ALUMINUM/BLACK ANODIZE  
 HEAT SINK CLIP: STAINLESS STEEL  
 EMI SPRING: COPPER ALLOY/NICKEL PLATE  
 LIGHT PIPE: CLEAR POLYCARBONATE  
 ORGANIZER: POLYESTER WITH UL 94V-0
2. REFERENCE APPLICATION SPECIFICATION 114-32023 FOR RECOMMENDED DRILL HOLE DIAMETER AND PLATING THICKNESS
3. DATUM AND BASIC DIMENSION ESTABLISHED BY CUSTOMER
4. DIMENSION APPLIES WITH MODULE INSERTED IN CAGE
5. HEAT SINKS, HEAT SINK CLIPS AND LIGHT PIPES ARE SHIPPED ASSEMBLED ON CAGE
6. MINIMUM PC BOARD THICKNESS: SINGLE SIDED: 1.57 MIN  
 DOUBLE SIDED: 2.20 MIN
7. DATUM -A- IS TOP SURFACE OF THE HOST BOARD.
8. THESE HOLES ARE OPTIONAL WHEN THE REAR PINS ARE REMOVED.
9. MATES WITH QSFP28 MSA COMPATIBLE TRANSCEIVER.
10. DATE CODE (YYWWD) MARKED APPROXIMATELY AS SHOWN.
11. NOTED DIMENSIONS ONLY APPLY TO CAGE ASSEMBLY WITH LIGHT PIPE.



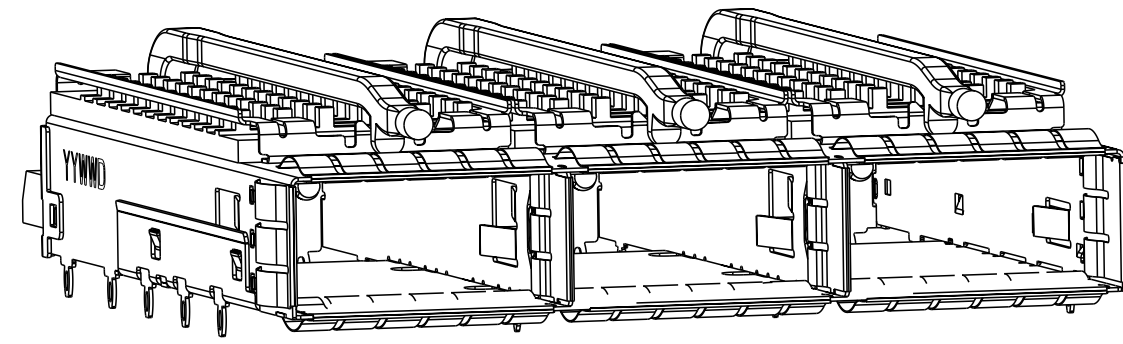
THIS DRAWING IS A CONTROLLED DOCUMENT.		DWN BING LIU 22APR2014	TE Connectivity	
DIMENSIONS: mm		CHK JASON YANG 22APR2014		
TOLERANCES UNLESS OTHERWISE SPECIFIED:		APVD SEAN HAN 22FEB2016	NAME RECEPTACLE CAGE ASSEMBLY WITH HEAT SINKS AND LIGHT PIPES, THRU BEZEL, 1X3, QSFP28	
0 PLC ± 1 PLC ±0.25 2 PLC ±0.2 3 PLC ± 4 PLC ±		PRODUCT SPEC 108-19428	SIZE A200779	DRAWING NO C-2170740
MATERIAL SEE NOTES		FINISH SEE NOTES	APPLICATION SPEC 114-32023	RESTRICTED TO -
		WEIGHT -	SCALE 1:1	SHEET 1 OF 9
		CUSTOMER DRAWING	REV A6	

Printed on 6 Feb 2023 09:40 (China Standard Time) from TE444218

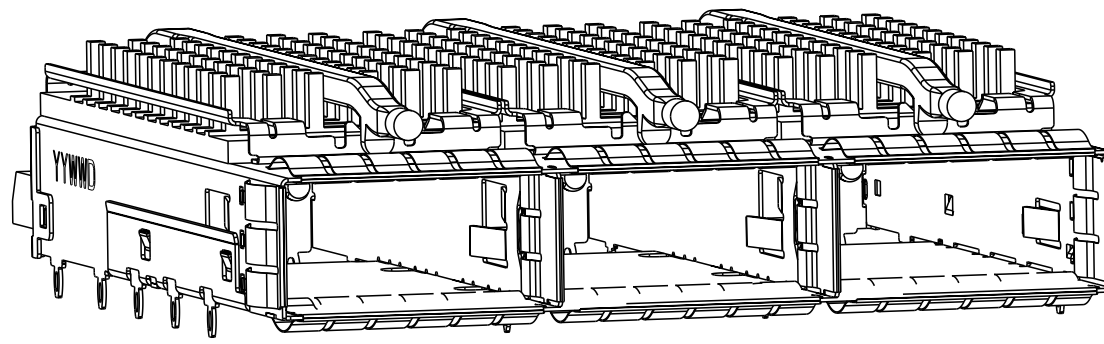
THIS DRAWING IS UNPUBLISHED. RELEASED FOR PUBLICATION 20  
 © COPYRIGHT 20 BY - ALL RIGHTS RESERVED.

LOC		DIST		REVISIONS			
P	LTR	DESCRIPTION	DATE	DWN	APVD		
-		SEE SHEET 1	-	-	-		

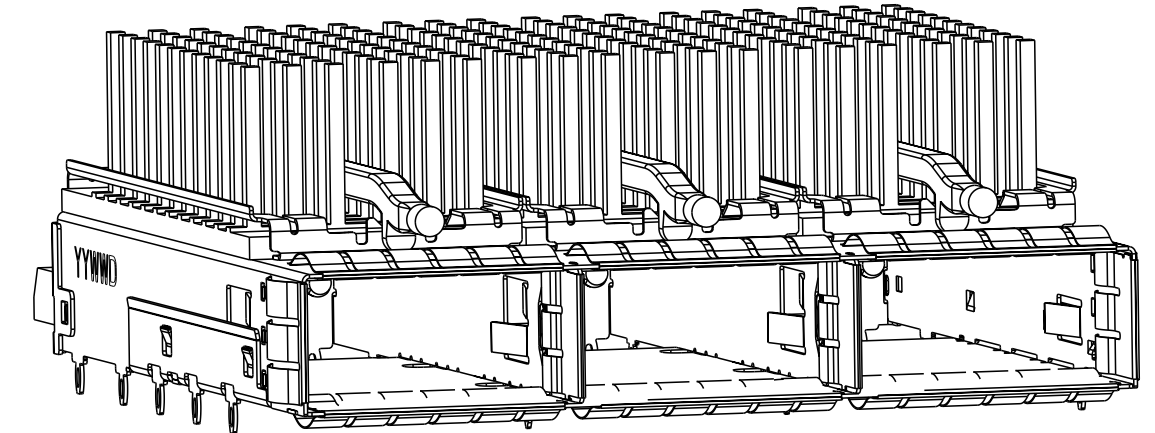
### HEAT SINK OPTION



PCI HEAT SINK  
SCALE 2:1

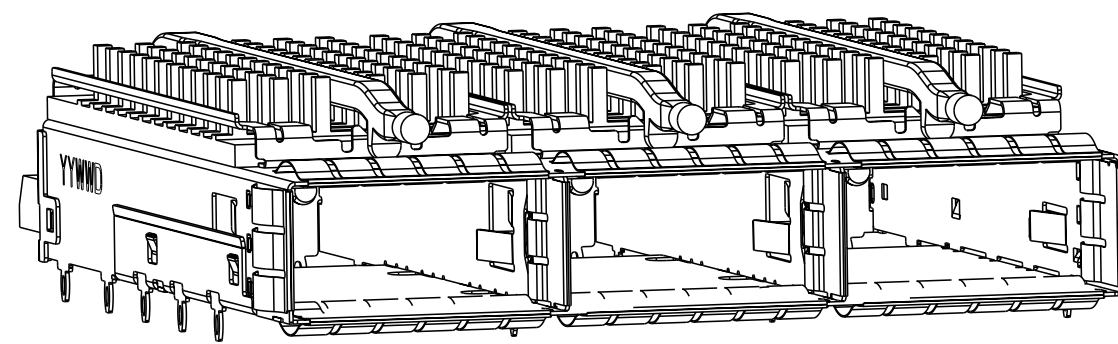


SAN HEAT SINK  
SCALE 2:1

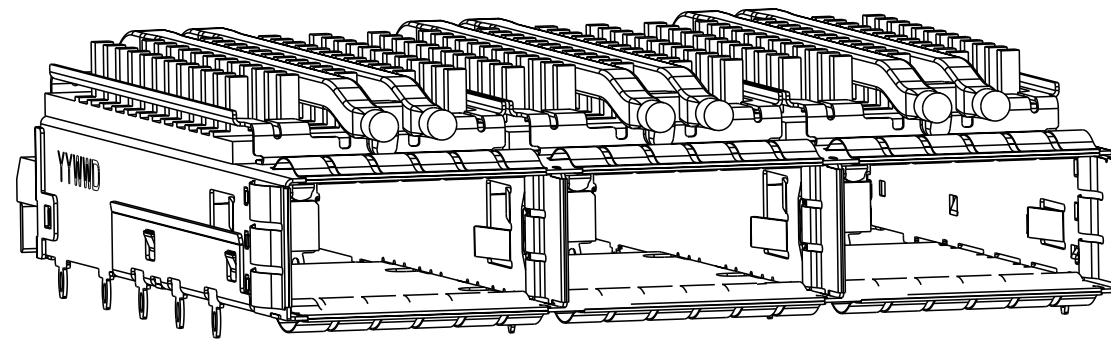


NETWORKING  
SCALE 2:1

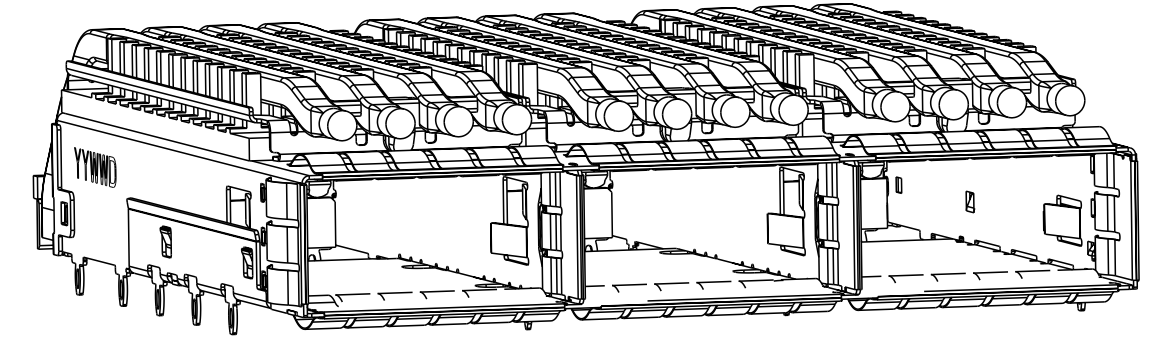
### LIGHT PIPE OPTION



SINGLE LIGHT PIPE  
SCALE 2:1

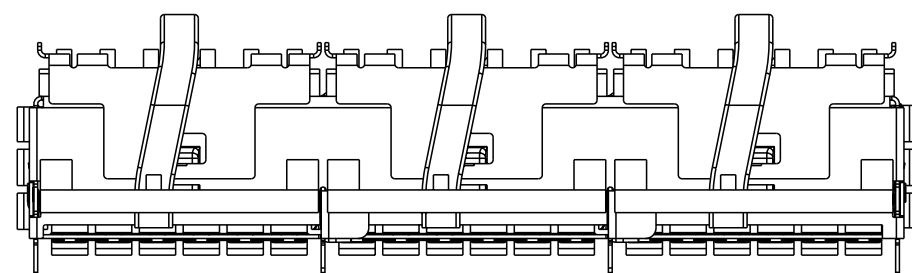


DUAL LIGHT PIPE  
SCALE 2:1

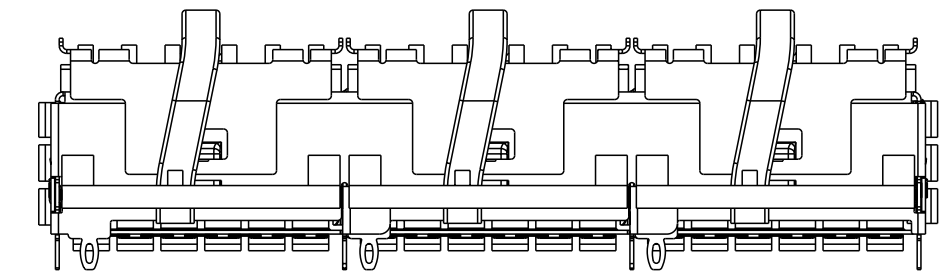


QUAD LIGHT PIPE  
SCALE 2:1


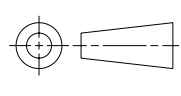
### # OF REAR LEGS OPTIONS



0 REAR PIN  
SCALE 2:1



1 REAR PIN  
SCALE 2:1


THIS DRAWING IS A CONTROLLED DOCUMENT.		DWN BING LIU 22APR2014	 TE Connectivity	
DIMENSIONS: mm		CHK JASON YANG 22APR2014		
TOLERANCES UNLESS OTHERWISE SPECIFIED:		APVD SEAN HAN 22FEB2016	NAME RECEPTACLE CAGE ASSEMBLY WITH HEAT SINKS AND LIGHT PIPES, THRU BEZEL, 1X3, QSFP28	
		PRODUCT SPEC 108-19428	SIZE A200779	DRAWING NO C-2170740
MATERIAL SEE NOTES material_2		FINISH SEE NOTES finish_spec_2	WEIGHT -	RESTRICTED TO -
		CUSTOMER DRAWING	SCALE 1:1	SHEET 2 OF 9 REV A6

printed on 6 Feb 2023 09:40 (China Standard Time) from TE444218

THIS DRAWING IS UNPUBLISHED. RELEASED FOR PUBLICATION 20  
 © COPYRIGHT 20 BY - ALL RIGHTS RESERVED.

LOC		DIST		REVISIONS			
P	LTR	DESCRIPTION	DATE	DWN	APVD		
-		SEE SHEET 1	-	-	-		

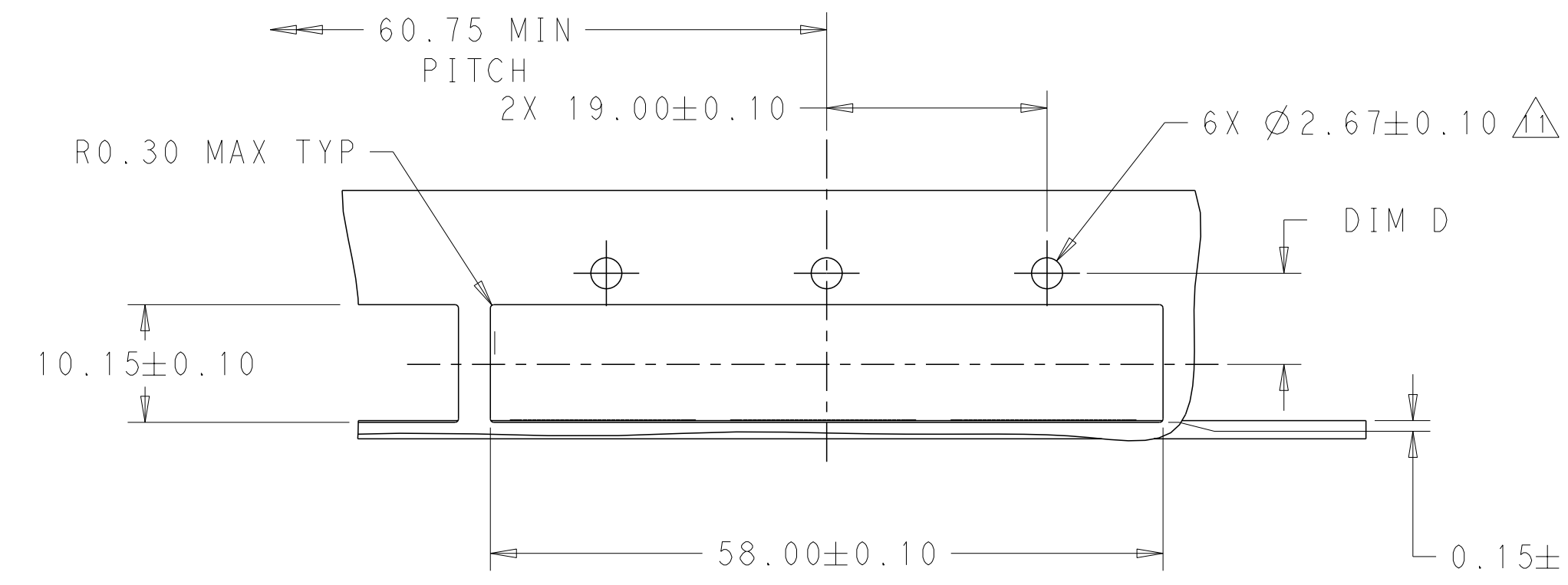
DIM C	DIM B	DIM A	# OF REAR PIN	APPLICATION	LIGHT PIPE OPTION	PART NUMBER
12.71 REF	15.11 REF	16.0	1	SAN	COATED QUAD LP	5-2170740-2
		13.7	1	PCI	COATED QUAD LP	5-2170740-1
		14.9	1	CUSTOMIZED	QUAD LP	4-2170740-7
		23.0	0	NETWORKING	QUAD LP	4-2170740-6
		16.0	0	SAN	QUAD LP	4-2170740-5
		13.7	0	PCI	QUAD LP	4-2170740-4
		23.0	1	NETWORKING	QUAD LP	4-2170740-3
		16.0	1	SAN	QUAD LP	4-2170740-2
12.25 REF	14.11 REF	13.7	1	PCI	SINGLE LP	3-2170740-1
12.71 REF	15.11 REF	23.0	0	NETWORKING	DUAL LP	2-2170740-6
		16.0	0	SAN	DUAL LP	2-2170740-5
		13.7	0	PCI	DUAL LP	2-2170740-4
		23.0	1	NETWORKING	DUAL LP	2-2170740-3
		16.0	1	SAN	DUAL LP	2-2170740-2
		13.7	1	PCI	DUAL LP	2-2170740-1
		16.0	1	SAN	N/A	1-2170740-2
		14.9	1	CUSTOMIZED	SINGLE LP	1-2170740-1
		23.0	0	NETWORKING	SINGLE LP	2170740-6
		16.0	0	SAN	SINGLE LP	2170740-5
		13.7	0	PCI	SINGLE LP	2170740-4
		23.0	1	NETWORKING	SINGLE LP	2170740-3
		16.0	1	SAN	SINGLE LP	2170740-2
13.7	1	PCI	SINGLE LP	2170740-1		

THIS DRAWING IS A CONTROLLED DOCUMENT.		DWN BING LIU 22APR2014	 TE Connectivity	
DIMENSIONS: mm		CHK JASON YANG 22APR2014		
TOLERANCES UNLESS OTHERWISE SPECIFIED:		APVD SEAN HAN 22FEB2016	NAME RECEPTACLE CAGE ASSEMBLY WITH HEAT SINKS AND LIGHT PIPES, THRU BEZEL, 1X3, QSFP28	
0 PLC ±-		PRODUCT SPEC 108-19428	SIZE CAGE CODE DRAWING NO RESTRICTED TO	
1 PLC ±0.25		APPLICATION SPEC 114-32023	A200779C-2170740	
2 PLC ±0.2		WEIGHT -	SCALE 1:1 SHEET 3 OF 9 REV A6	
3 PLC ±-				
4 PLC ±-				
ANGLES ±-				
FINISH				
MATERIAL SEE NOTES material_2				
FINISH SEE NOTES finish_spec_2				

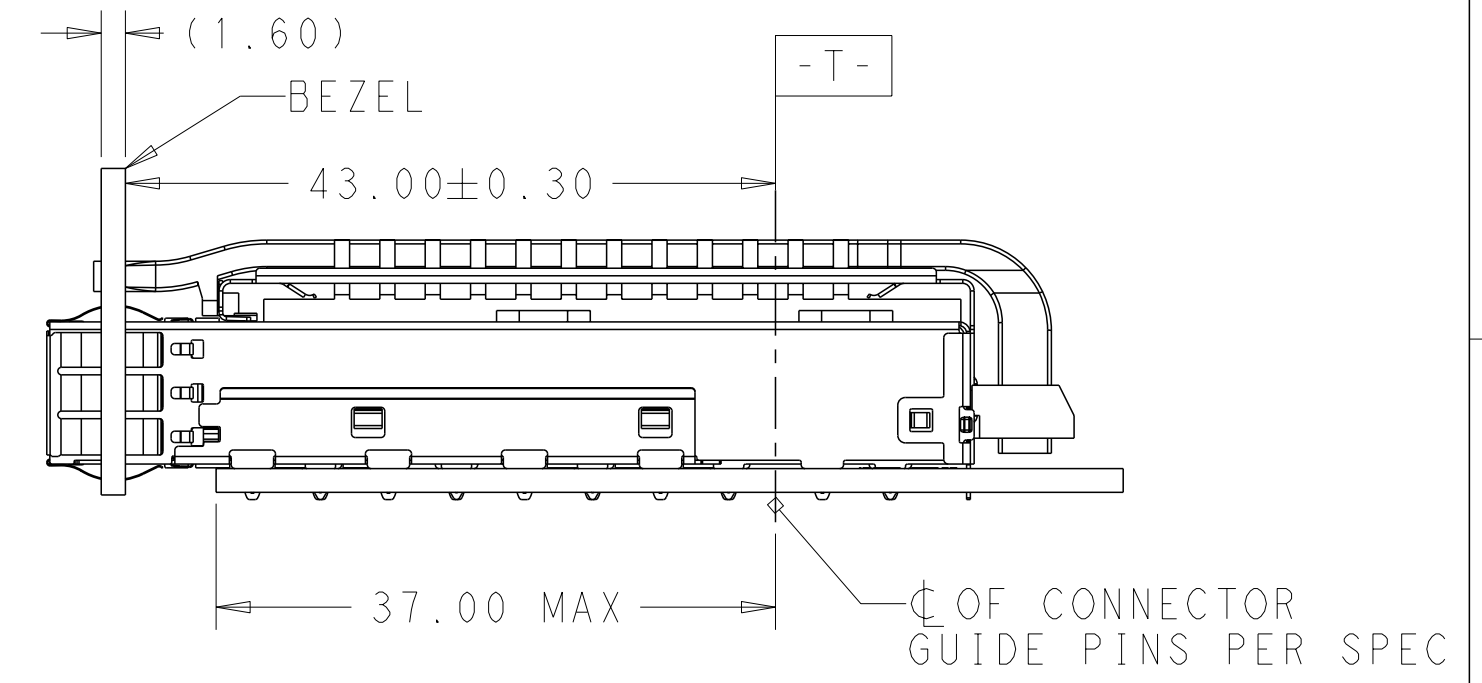
Printed on 6 Feb 2023 09:40 (China Standard Time) from IE444218

THIS DRAWING IS UNPUBLISHED. RELEASED FOR PUBLICATION 20  
 © COPYRIGHT 20 BY - ALL RIGHTS RESERVED.

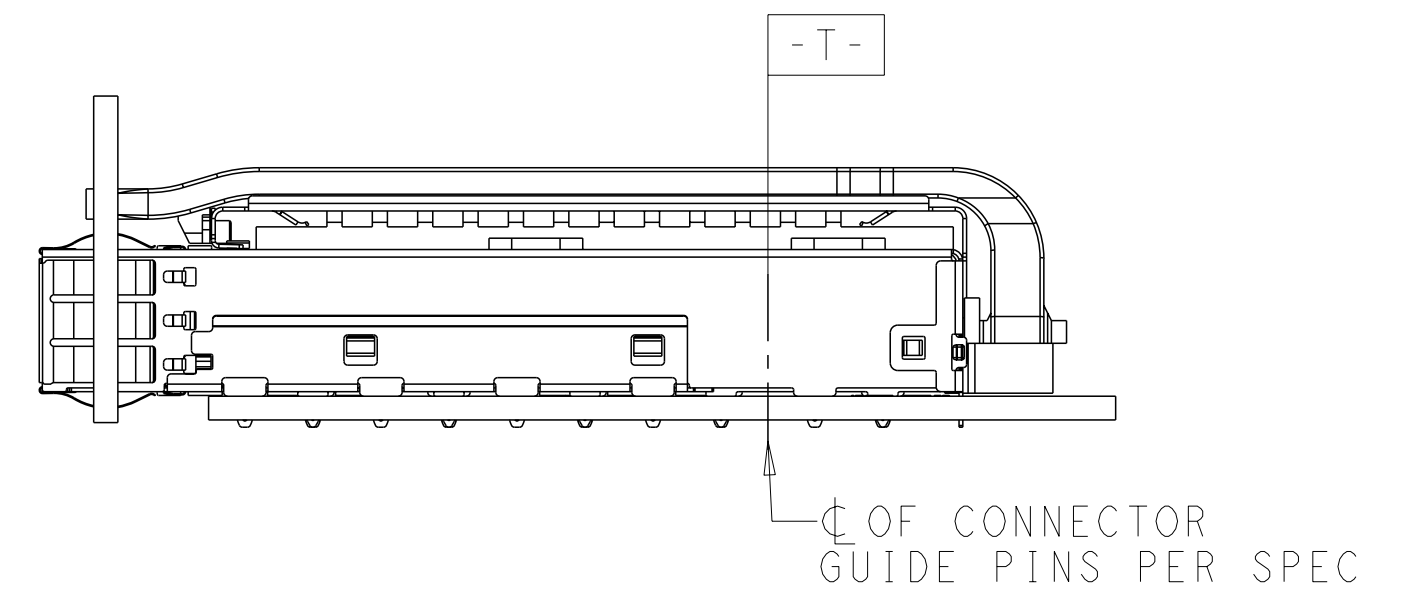
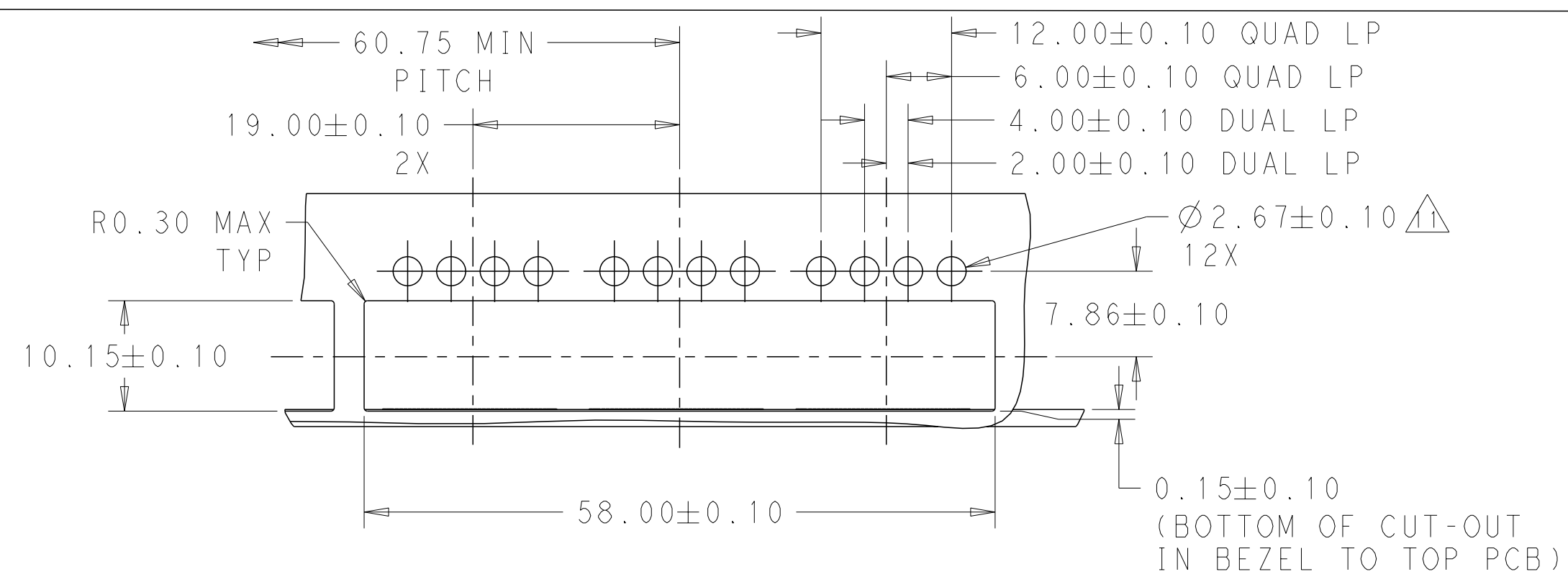
LOC		DIST		REVISIONS			
P	LTR	DESCRIPTION	DATE	DWN	APVD		
-		SEE SHEET 1	-	-	-		



7.40±0.10	ONLY FOR 3-2170740-1
7.86±0.10	ALL OTHER PRODUCT
DIM D	PART NUMBER



SINGLE SIDE MOUNTING  
SCALE 2:1



SINGLE SIDE MOUNTING  
SCALE 2:1

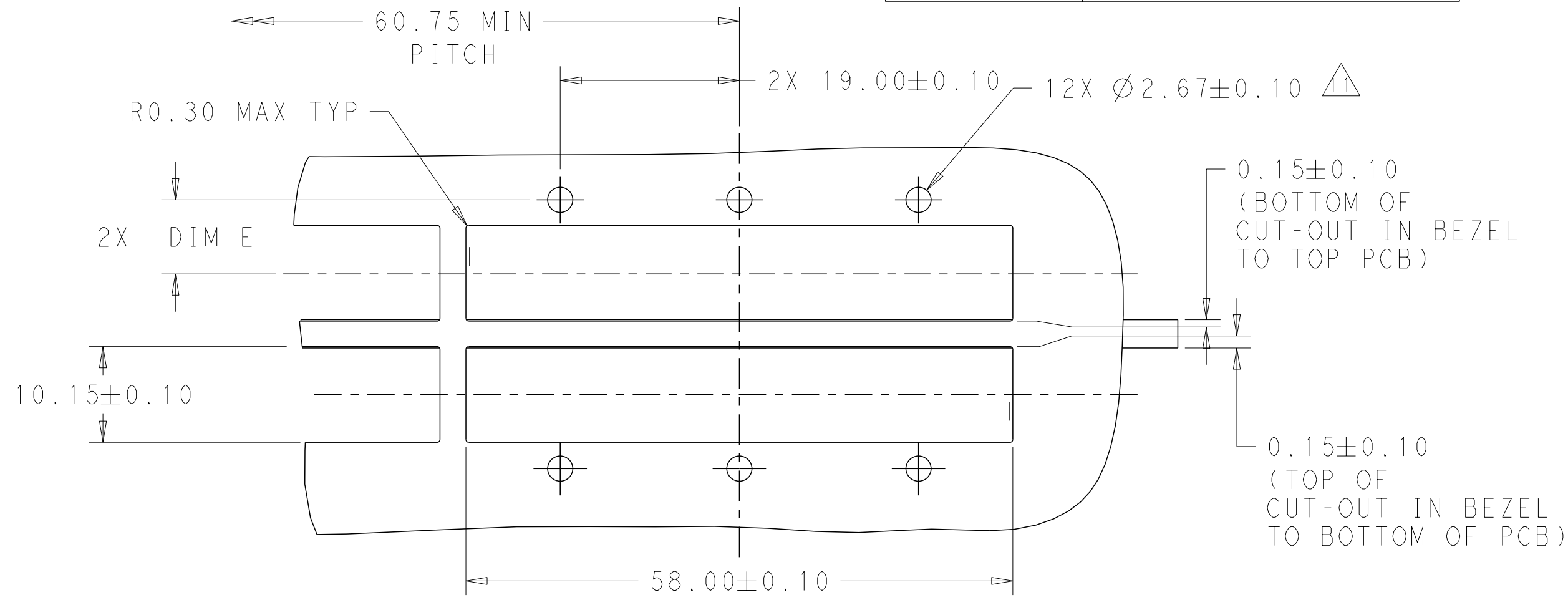
THIS DRAWING IS A CONTROLLED DOCUMENT.		DWN BING LIU 22APR2014	TE Connectivity															
DIMENSIONS: mm		CHK JASON YANG 22APR2014																
TOLERANCES UNLESS OTHERWISE SPECIFIED:		APVD SEAN HAN 22FEB2016	NAME RECEPTACLE CAGE ASSEMBLY WITH HEAT SINKS AND LIGHT PIPES, THRU BEZEL, 1X3, QSFP28															
<table border="1"> <tr><td>0 PLC</td><td>±</td></tr> <tr><td>1 PLC</td><td>±0.25</td></tr> <tr><td>2 PLC</td><td>±0.2</td></tr> <tr><td>3 PLC</td><td>±</td></tr> <tr><td>4 PLC</td><td>±</td></tr> <tr><td>ANGLES</td><td>±</td></tr> <tr><td>FINISH</td><td>±</td></tr> </table>		0 PLC	±	1 PLC	±0.25	2 PLC	±0.2	3 PLC	±	4 PLC	±	ANGLES	±	FINISH	±	PRODUCT SPEC 108-19428	SIZE CAGE CODE DRAWING NO	
0 PLC	±																	
1 PLC	±0.25																	
2 PLC	±0.2																	
3 PLC	±																	
4 PLC	±																	
ANGLES	±																	
FINISH	±																	
MATERIAL SEE NOTES material_2		APPLICATION SPEC 114-32023	A200779C-2170740															
FINISH SEE NOTES finish_spec_2		WEIGHT -	SCALE 1:1	SHEET 4 OF 9														
CUSTOMER DRAWING		RESTRICTED TO -		REV A6														

Printed on 6 Feb 2023 09:40 (China Standard Time) from TE444218

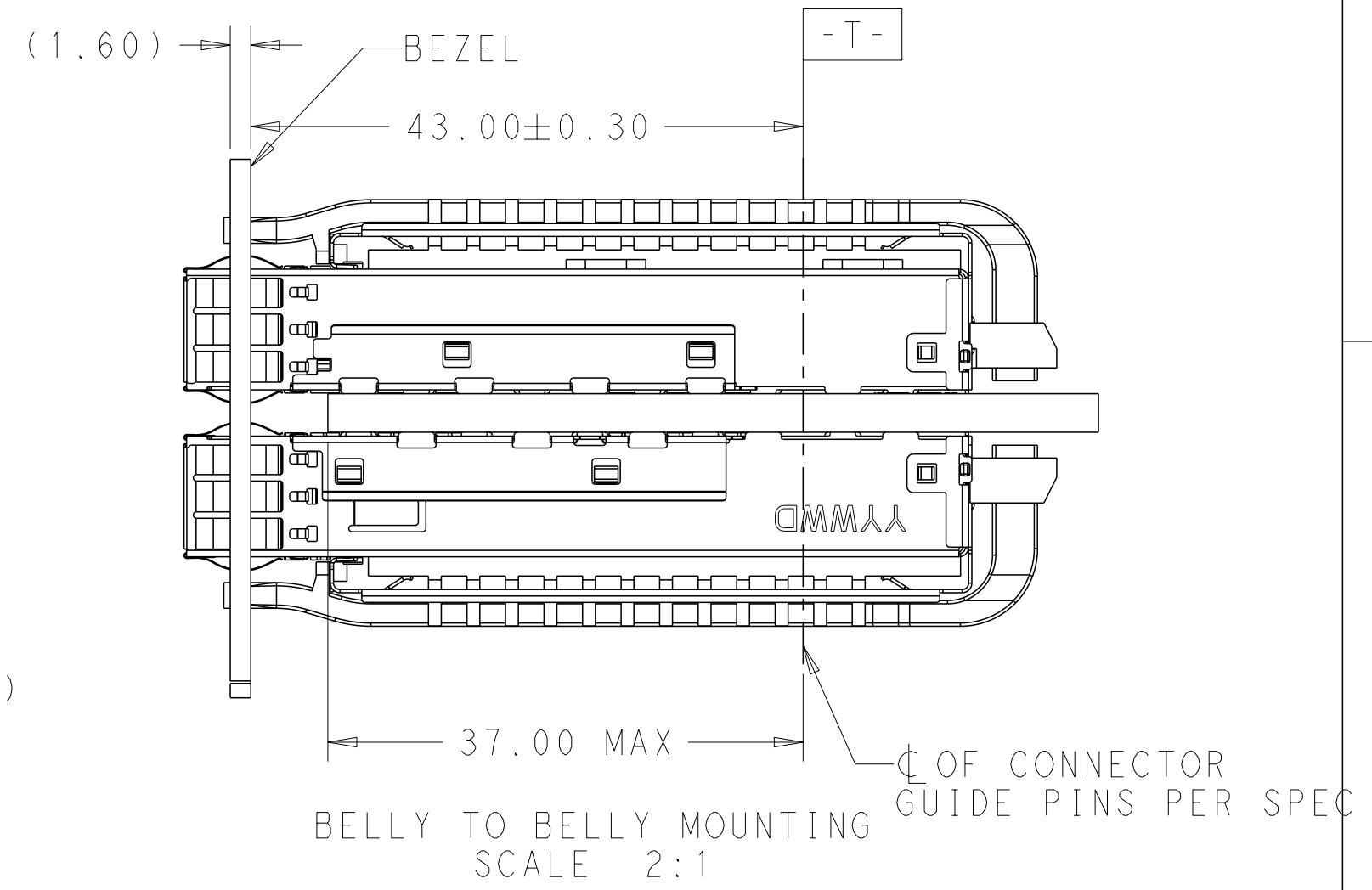
THIS DRAWING IS UNPUBLISHED. RELEASED FOR PUBLICATION 20  
 © COPYRIGHT 20 BY - ALL RIGHTS RESERVED.

LOC		DIST		REVISIONS			
P	LTR	DESCRIPTION	DATE	DWN	APVD		
-		SEE SHEET 1	-	-	-		

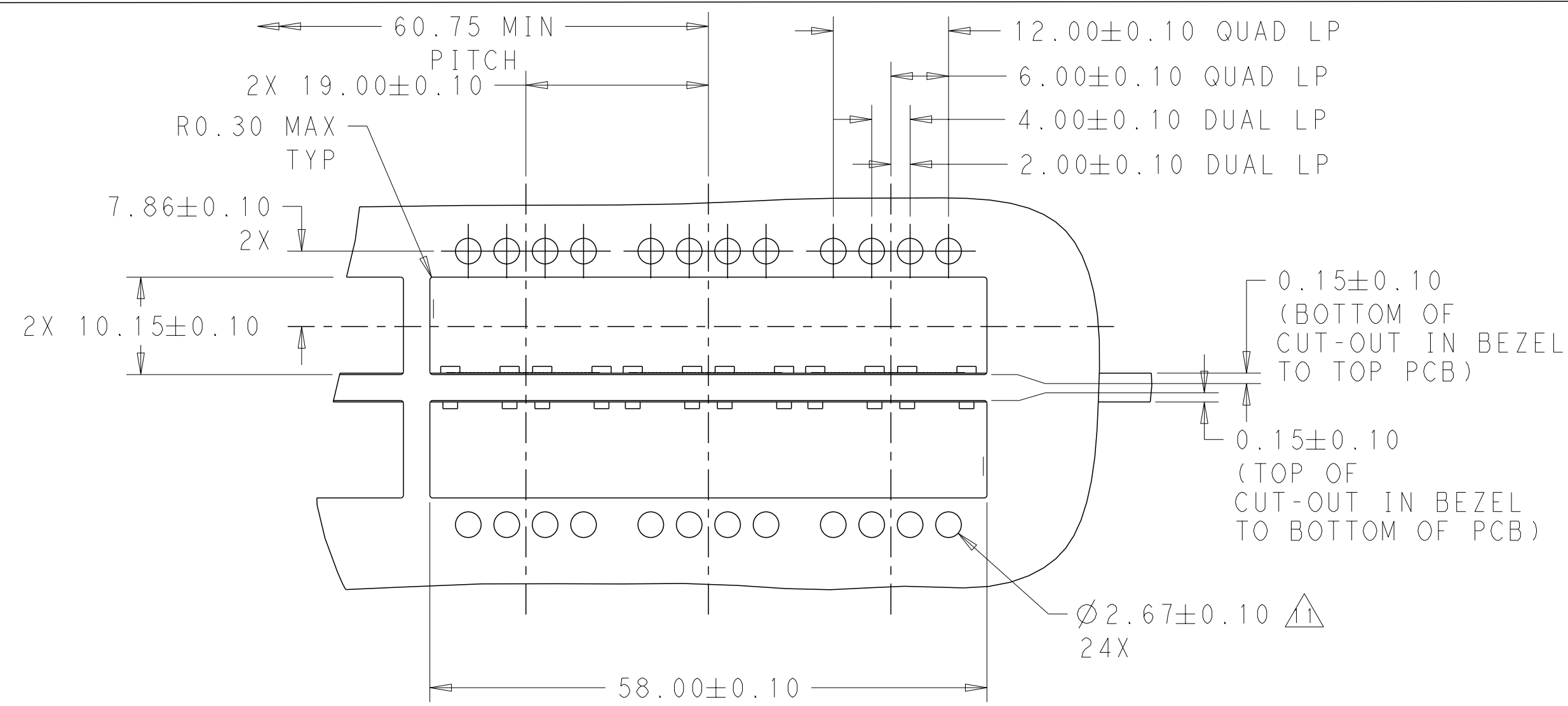
7.40±0.10	ONLY FOR 3-2170740-1
7.86±0.10	ALL OTHER PRODUCT
DIM E	PART NUMBER



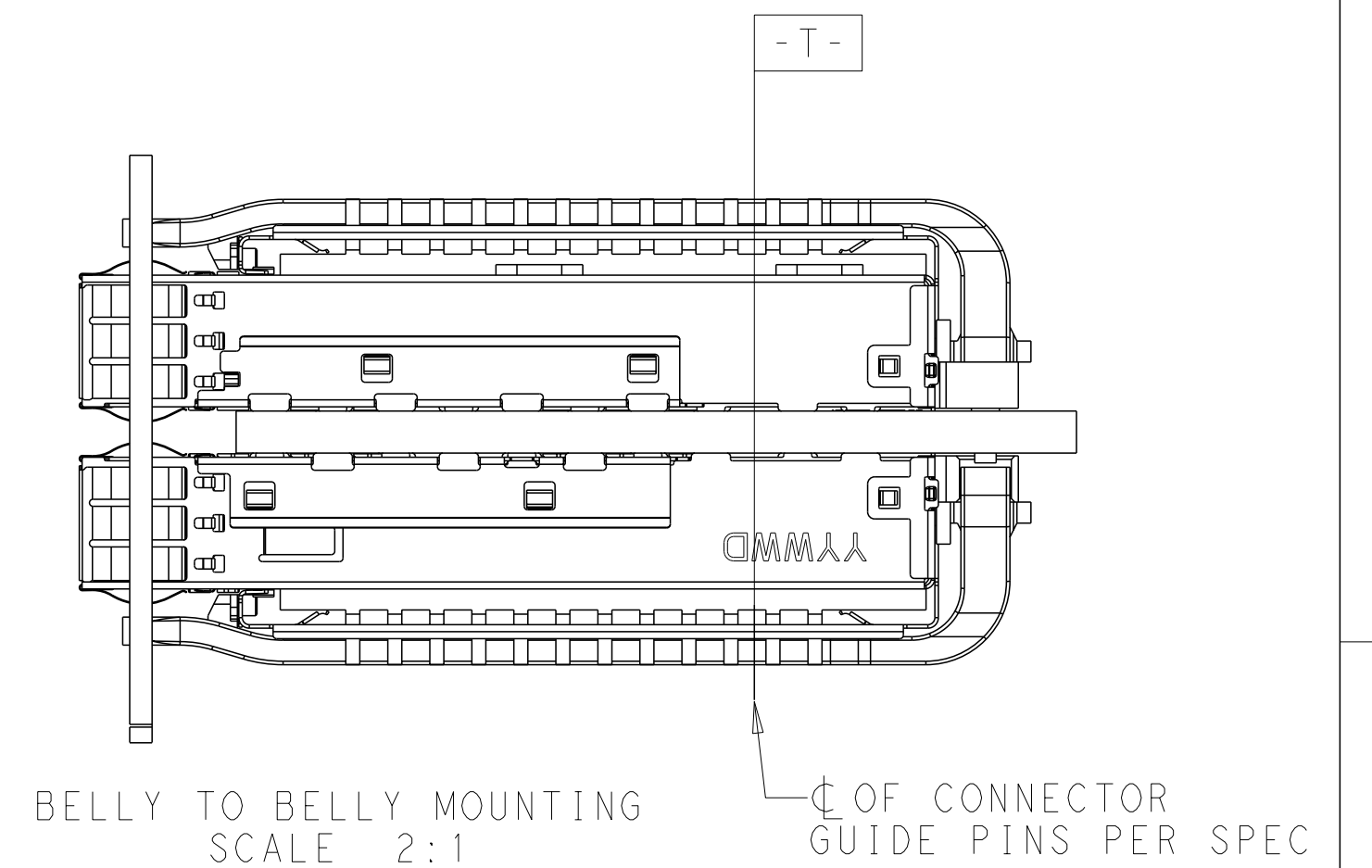
CAGE ASSEMBLY IS OMITED



BELLY TO BELLY MOUNTING SCALE 2:1  
 CL OF CONNECTOR GUIDE PINS PER SPEC



CAGE ASSEMBLY IS OMITED



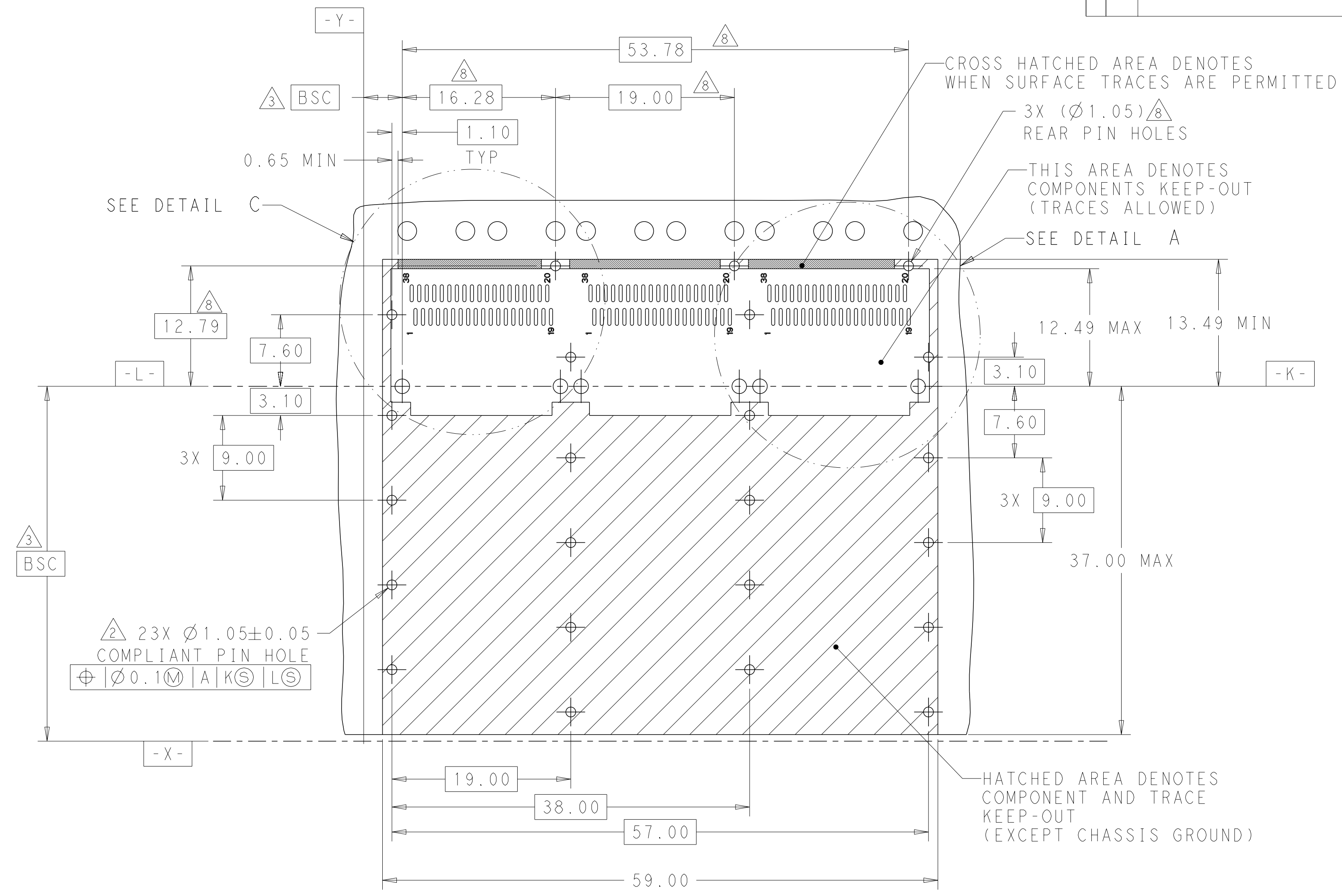
BELLY TO BELLY MOUNTING SCALE 2:1  
 CL OF CONNECTOR GUIDE PINS PER SPEC

THIS DRAWING IS A CONTROLLED DOCUMENT.		DWN BING LIU 22APR2014	TE Connectivity	
		CHK JASON YANG 22APR2014		
DIMENSIONS: mm		APVD SEAN HAN 22FEB2016	NAME RECEPTACLE CAGE ASSEMBLY WITH HEAT SINKS AND LIGHT PIPES, THRU BEZEL, 1X3, QSFP28	
TOLERANCES UNLESS OTHERWISE SPECIFIED:		PRODUCT SPEC 108-19428	SIZE CAGE CODE DRAWING NO	
0 PLC ±-		APPLICATION SPEC 114-32023	A200779 C-2170740	
1 PLC ±0.25		WEIGHT -	RESTRICTED TO	
2 PLC ±0.2			SCALE 1:1 SHEET 5 OF 9 REV A6	
3 PLC ±-				
4 PLC ±-				
ANGLES ±-				
FINISH SEE NOTES		CUSTOMER DRAWING		
material_2		finish_spec_2		

Printed on 6 Feb 2023 09:40 (China Standard Time) from TE444218

THIS DRAWING IS UNPUBLISHED. RELEASED FOR PUBLICATION 20  
 © COPYRIGHT 20 BY - ALL RIGHTS RESERVED.

LOC		DIST		REVISIONS			
P	LTR	DESCRIPTION	DATE	DWN	APVD		
-	-	SEE SHEET 1	-	-	-		



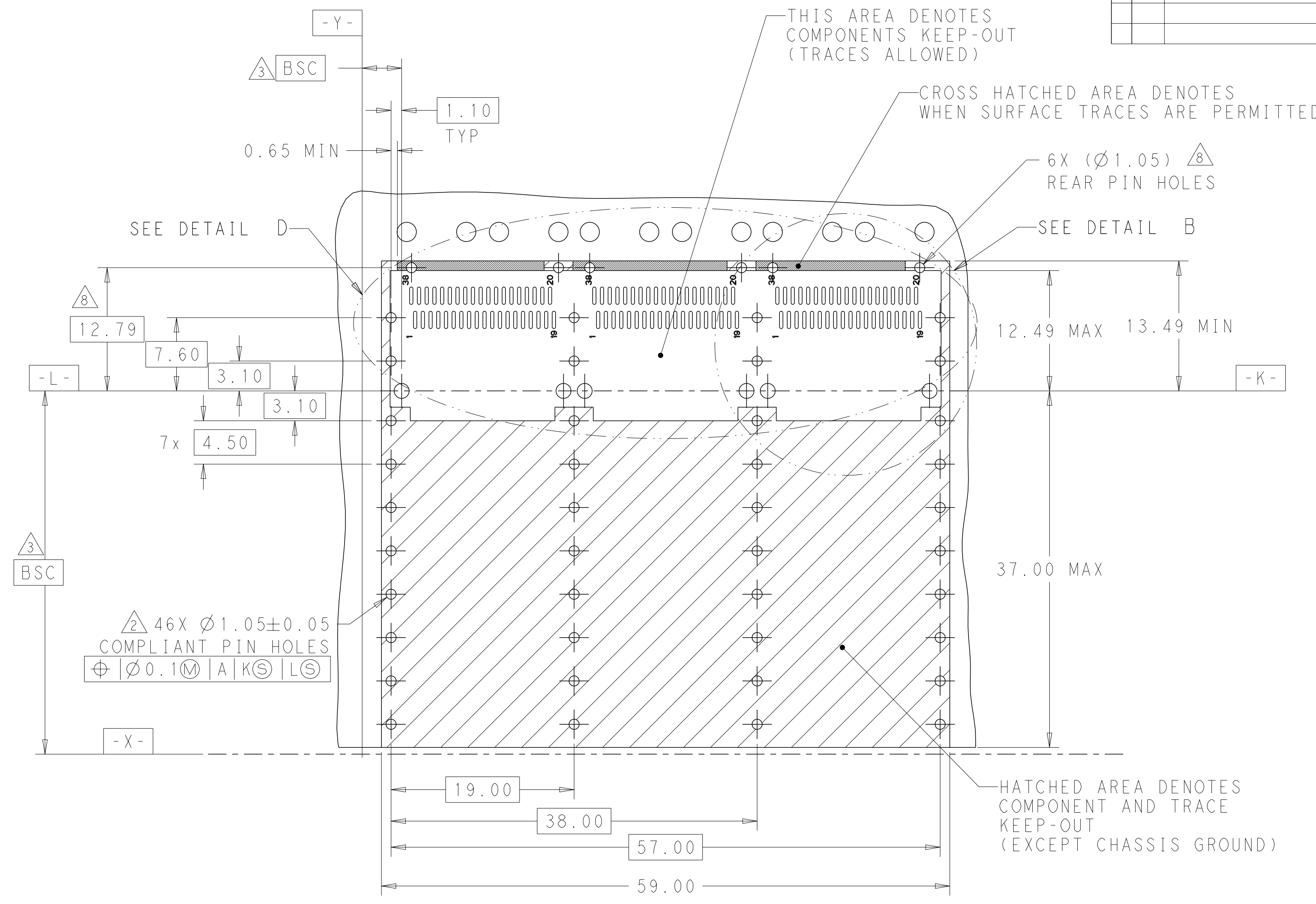
RECOMMENDED PCB LAYOUT  
 SINGLE TYPE  
 PCB TOLERANCE: ±0.05  
 SCALE 3:1

THIS DRAWING IS A CONTROLLED DOCUMENT.		DWN	BING LIU	22APR2014	TE Connectivity		
DIMENSIONS: mm		CHK	JASON YANG	22APR2014			
TOLERANCES UNLESS OTHERWISE SPECIFIED:		APVD	SEAN HAN	22FEB2016	NAME		
0 PLC	±	PRODUCT SPEC		RECEPTACLE CAGE ASSEMBLY WITH HEAT SINKS AND LIGHT PIPES, THRU BEZEL, 1X3, QSFP28			
1 PLC	±0.25	APPLICATION SPEC		108-19428			
2 PLC	±0.2	WEIGHT		114-32023			
3 PLC	±	MATERIAL		A200779C-2170740			
4 PLC	±	FINISH		CUSTOMER DRAWING			
ANGLES	±	MATERIAL		SCALE 1:1 SHEET 6 OF 9 REV A6			
FINISH	SEE NOTES	FINISH		finish_spec_2			

Printed on 6 Feb 2023 09:40 (China Standard Time) from TE444218

THIS DRAWING IS UNPUBLISHED. RELEASED FOR PUBLICATION 20  
 © COPYRIGHT 20 BY - ALL RIGHTS RESERVED.

REVISIONS				
P	LTR	DESCRIPTION	DATE	APVD
-	-	SEE SHEET 1	-	-



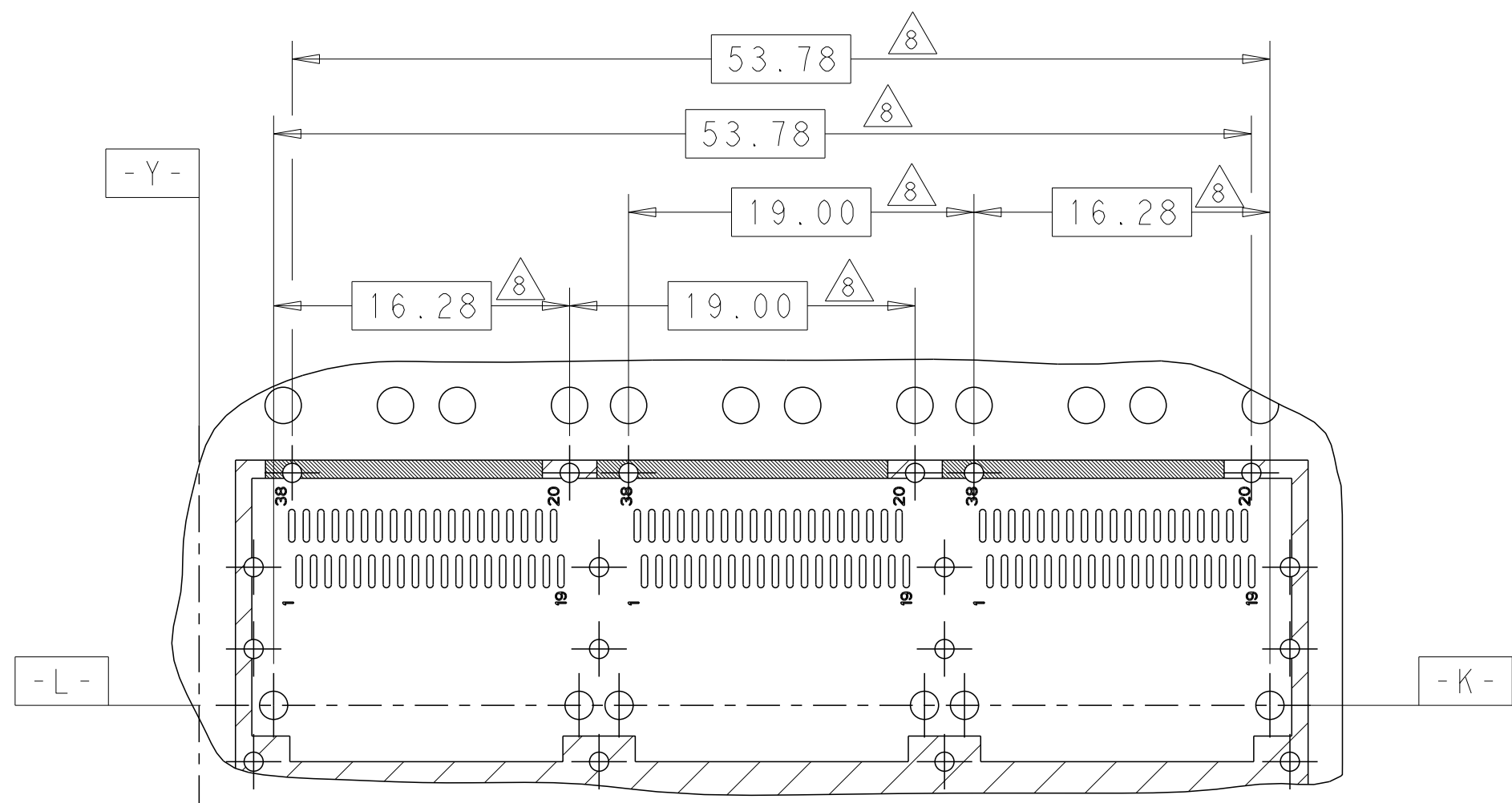
RECOMMENDED PCB LAYOUT  
 BELLY TO BELLY TYPE  
 PCB TOLERANCE: ±0.05  
 SCALE 3:1

THIS DRAWING IS A CONTROLLED DOCUMENT.		DWN BING LIU 22APR2014	TE Connectivity	
DIMENSIONS: mm		CHK JASON YANG 22APR2014		
TOLERANCES UNLESS OTHERWISE SPECIFIED:		APVD SEAN HAN 22FEB2016	NAME RECEPTACLE CAGE ASSEMBLY WITH HEAT SINKS AND LIGHT PIPES, THRU BEZEL, 1X3, QSFP28	
0 PLC ± 1 PLC ±0.25 2 PLC ±0.2 3 PLC ± 4 PLC ± ANGLES ±		PRODUCT SPEC 108-19428	SIZE A200779	CAGE CODE C-2170740
MATERIAL SEE NOTES material_2		APPLICATION SPEC 114-32023	DRAWING NO C-2170740	RESTRICTED TO -
FINISH SEE NOTES finish_spec_2		WEIGHT -	SCALE 1:1	SHEET 7 OF 9
		CUSTOMER DRAWING	REV A6	

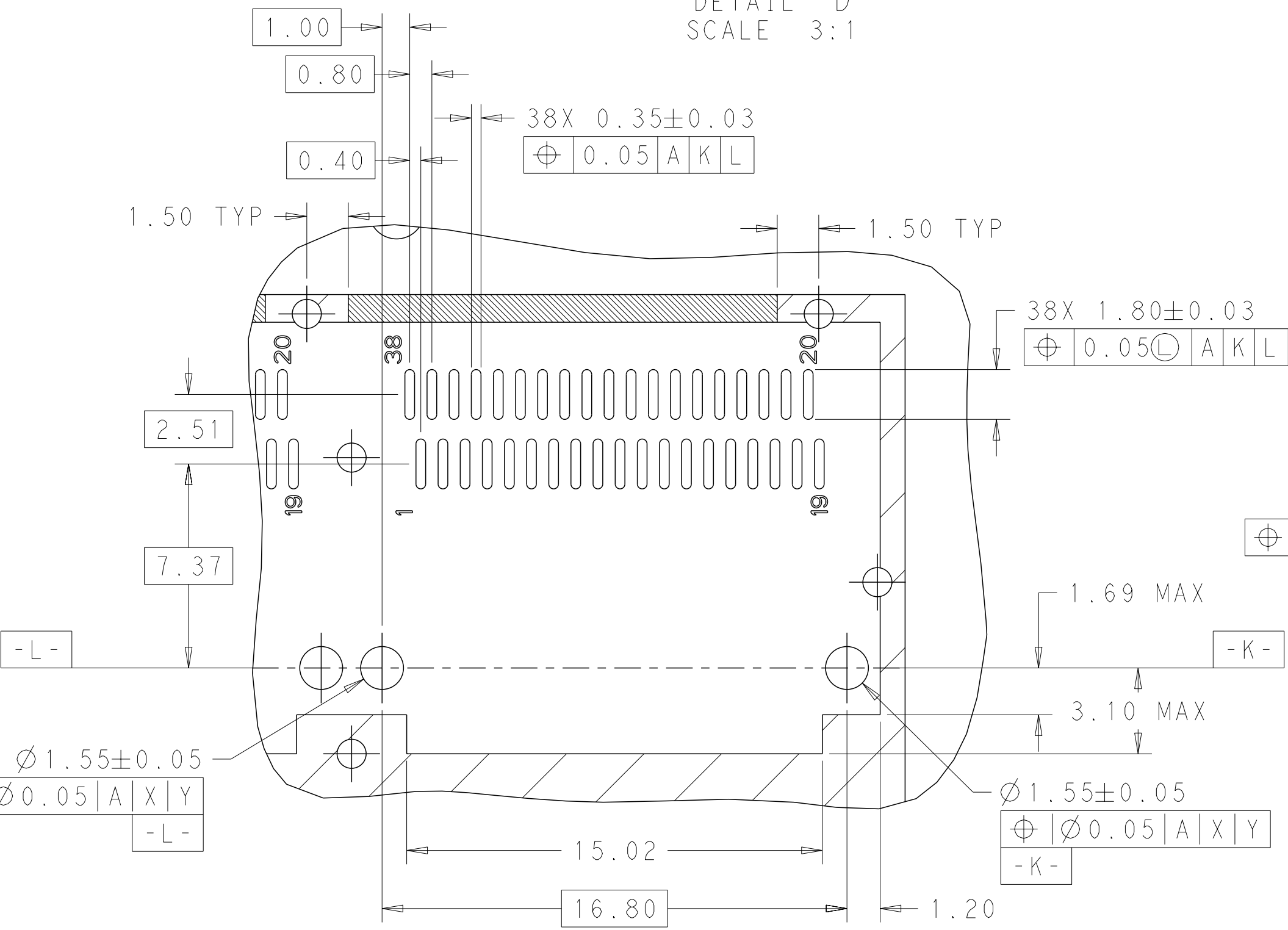
Printed on 6 Feb 2023 09:40 (China Standard Time) from TE444218

THIS DRAWING IS UNPUBLISHED. RELEASED FOR PUBLICATION 20  
 © COPYRIGHT 20 BY - ALL RIGHTS RESERVED.

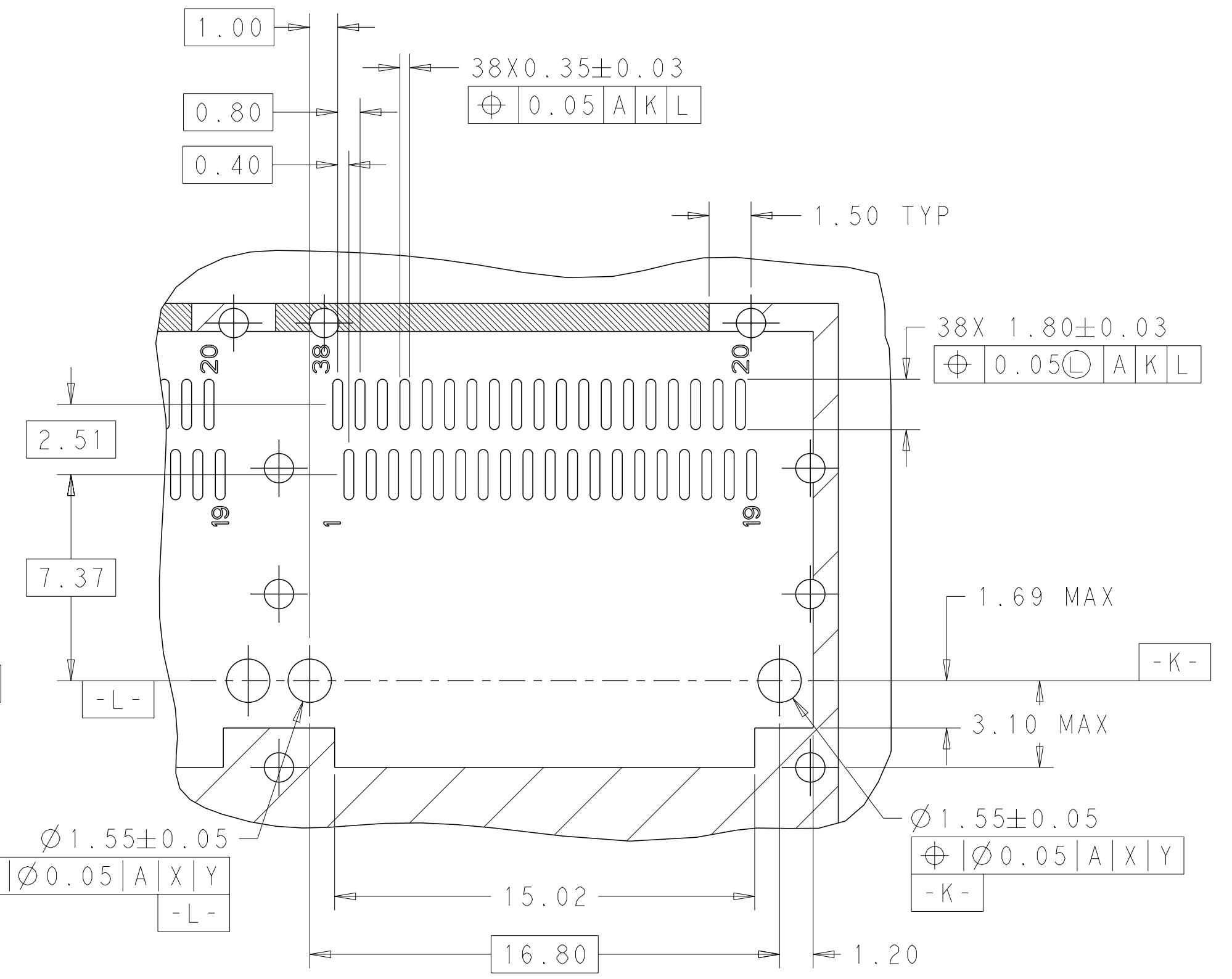
LOC		DIST		REVISIONS			
P	LTR	DESCRIPTION	DATE	DWN	APVD		
-	-	SEE SHEET 1	-	-	-		



DETAIL D  
SCALE 3:1



DETAIL A  
SCALE 6:1



DETAIL B  
SCALE 6:1

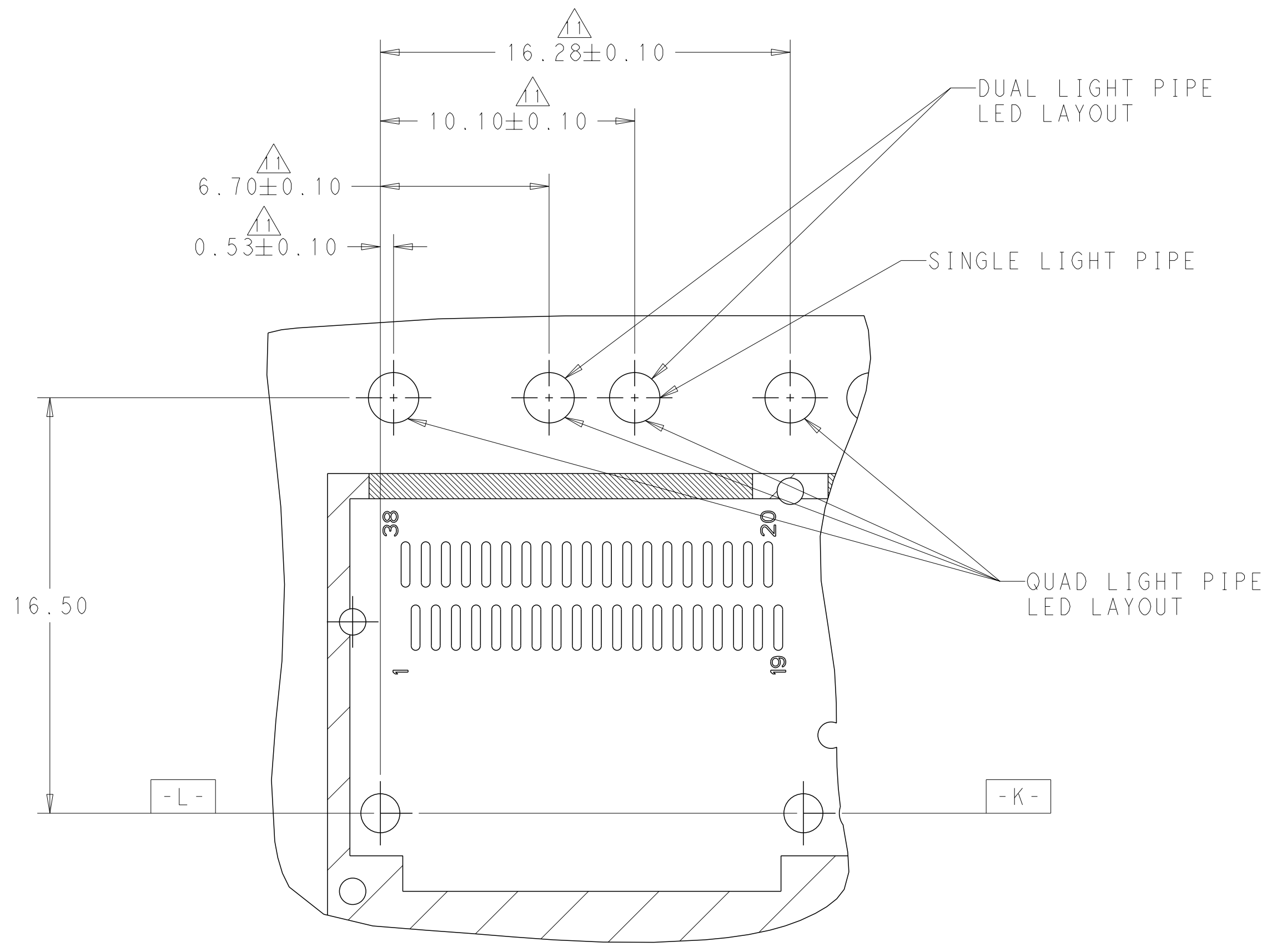
THIS DRAWING IS A CONTROLLED DOCUMENT.		DWN BING LIU 22APR2014	<b>STE</b> TE Connectivity	
		CHK JASON YANG 22APR2014		
DIMENSIONS: mm		APVD SEAN HAN 22FEB2016	NAME RECEPTACLE CAGE ASSEMBLY WITH HEAT SINKS AND LIGHT PIPES, THRU BEZEL, 1X3, QSFP28	
TOLERANCES UNLESS OTHERWISE SPECIFIED:		PRODUCT SPEC 108-19428	SIZE CAGE CODE DRAWING NO RESTRICTED TO	
0 PLC ±		APPLICATION SPEC 114-32023	A200779 C-2170740	
1 PLC ±0.25		WEIGHT -	SCALE 1:1 SHEET 8 OF 9 REV A6	
2 PLC ±0.2		CUSTOMER DRAWING		
3 PLC ±				
4 PLC ±				
ANGLES ±				
FINISH SEE NOTES				
material_2				
finish_spec_2				

Printed on 6 Feb 2023 09:40 (China Standard Time) from TE444218



THIS DRAWING IS UNPUBLISHED. RELEASED FOR PUBLICATION 20  
 © COPYRIGHT 20 BY - ALL RIGHTS RESERVED.

LOC		DIST		REVISIONS			
P	LTR	DESCRIPTION	DATE	DWN	APVD		
-	-	SEE SHEET 1	-	-	-		



DETAIL C  
SCALE 6:1

Printed on 6 Feb 2023 09:40 (China Standard Time) from TE444218

THIS DRAWING IS A CONTROLLED DOCUMENT.		DWN BING LIU 22APR2014	TE Connectivity	
DIMENSIONS: mm		CHK JASON YANG 22APR2014		
TOLERANCES UNLESS OTHERWISE SPECIFIED:		APVD SEAN HAN 22FEB2016	NAME RECEPTACLE CAGE ASSEMBLY WITH HEAT SINKS AND LIGHT PIPES, THRU BEZEL, 1X3, QSFP28	
0 PLC ±- 1 PLC ±0.25 2 PLC ±0.2 3 PLC ±- 4 PLC ±- ANGLES ±-		PRODUCT SPEC 108-19428	SIZE 114-32023	RESTRICTED TO -
MATERIAL SEE NOTES material_2	FINISH SEE NOTES finish_spec_2	WEIGHT -	SCALE 1:1	SHEET 9 OF 9
CUSTOMER DRAWING		DRAWING NO A200779C-2170740	REV A6	