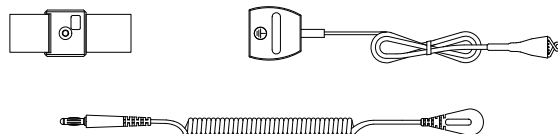
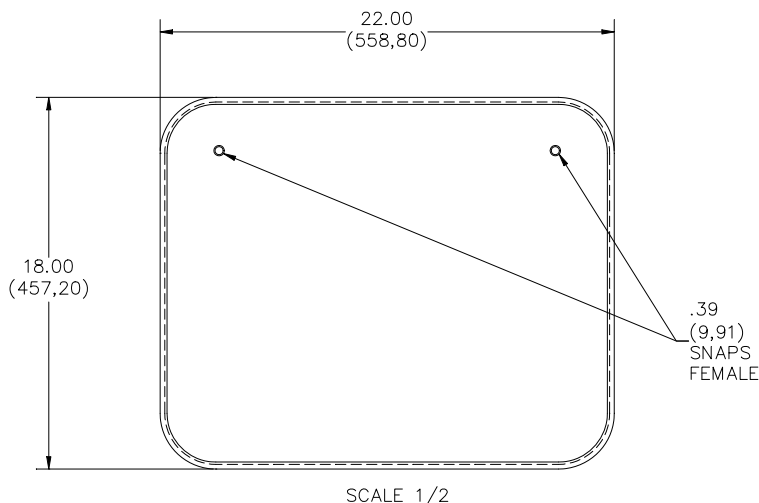


Model 6087
Field Service Kit, Red, ESD**Features**

- Complete and durable service kit for static sensitive work.
- Features a static-safe 18" x 22" (460mm x 560mm) laminated red vinyl mat.
- Kit includes a mat with two 10mm snap sockets, common point ground connector with two Banana Plug Jacks and a 15' ground lead, an adjustable elastic wrist strap (Model 6081) and a resistive coil cord (Model 5534).
- Folds down to fit into your tool box.



USA: Sales: 800-490-2361
Technical Support: technicalsupport@pomonatest.com
Fax: 425-446-5844
Europe: 31-(0) 40 2675 150 **International:** 425-446-5500
Where to Buy: www.pomonaelectronics.com

All dimensions are in inches. Tolerances (except noted): .xx = ± 0.02 " (.51 mm), .xxx = ± 0.005 " (.127 mm). All specifications are to the latest revisions. Specifications are subject to change without notice. Registered trademarks are the property of their respective companies.

Model 6087
Field Service Kit, Red, ESD**Specifications**Wrist Strap:

Body: Impact resistant plastic, Blue

Strap: Elastic fibers with silver-plated Nylon, Yarn, Circumference: 2.50" (64,0) min., 13.00" (330,0) max.

Snap and Cam: Stainless Steel, 4mm (0.16") snap stud

Anti-Static Ground Cord:Banana Plug:

Body – Brass, nickel-plated, fits 4.2mm (0.17") standard Banana Jack

Insulation – PVC, Black

Cord: Coiled Tinsel Cord, Polyurethane 2.25mm O.D.

Snap:

Body – Brass, nickel-plated, fits 4mm (0.16") snap stud

Insulation – PVC, Black

Length: 6 feet, extended

Resistor: 1 megohm

MAT, ESD: 0.018" (0,46) thick, vinyl, Red

Common Point Ground Cord:Snap with Banana Jacks End:

Body – Brass, nickel-plated, 10mm (3/8") Stud (Male)

Resistor – 1 Megohm, insulated

Insulation – PVC, Black

Banana Jacks – Brass, nickel-plated, fits 4.2mm (0.17") Standard Banana Plug

Cord: Coiled Tinsel Cord, Polyurethane 2.25mm O.D., Length: 15 ft.

Large Alligator Clip End:

Body – Brass, nickel-plated, fits 4.2mm (0.17") Standard Banana Plug

Insulation – PVC, Black

Ratings

Surface Resistivity: 108 to 109 Ohm/Sq.

Volume Resistivity: 109 Ohm cm

Static Decay: 0.01 sec 5000V to 0V 12% RH

Ordering Information

Model: 6087

Packaging: Elastic Wrist Strap, Anti-Static Ground Cord, Common Point Ground Cord, Mat, Alligator Clip, and two Instruction Sheets per bag.

USA: Sales: 800-490-2361
Technical Support: technicalsupport@pomonatest.com
Fax: 425-446-5844

Europe: 31-(0) 40 2675 150 **International:** 425-446-5500

Where to Buy: www.pomonaelectronics.com

All dimensions are in inches. Tolerances (except noted): .xx = ±.02" (.51 mm),
.xxx = ±.005" (.127 mm). All specifications are to the latest revisions.
Specifications are subject to change without notice. Registered trademarks are
the property of their respective companies.