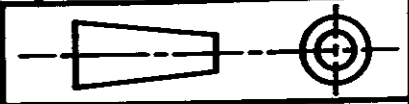
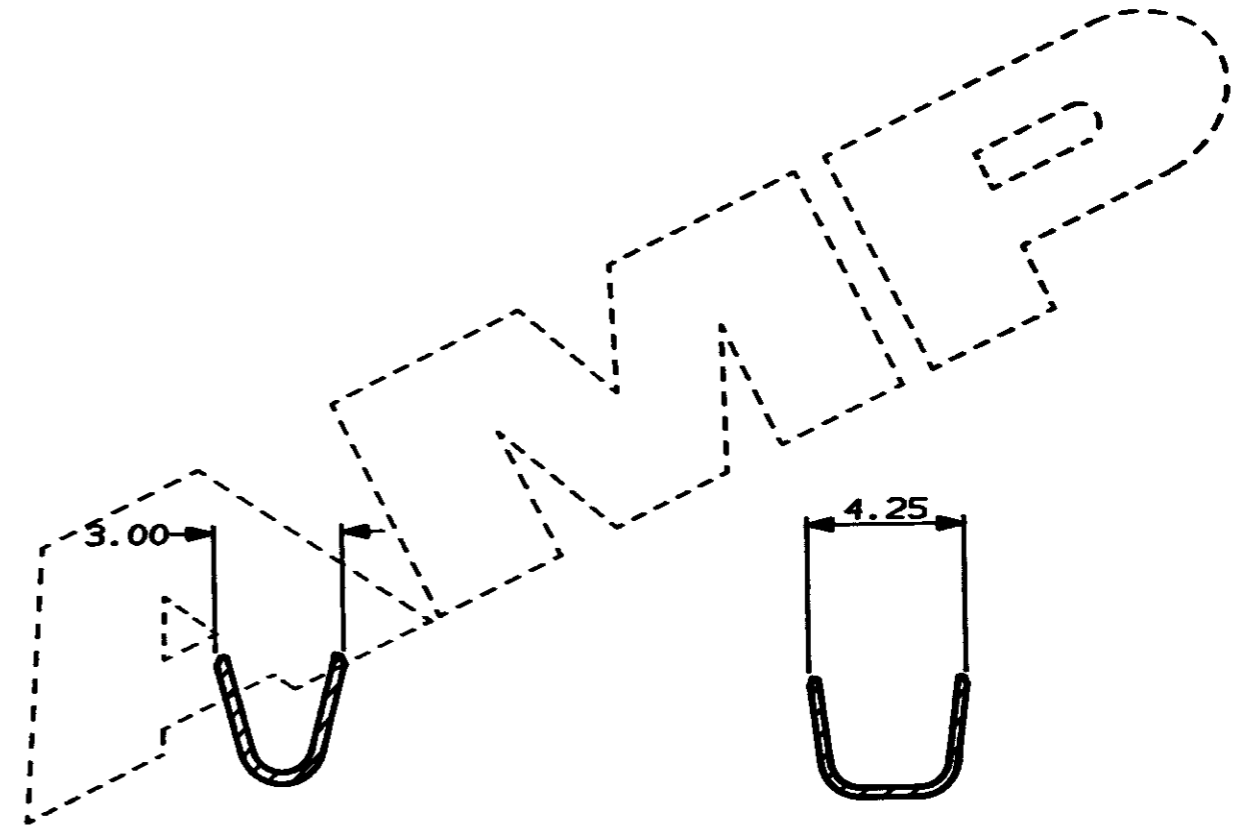
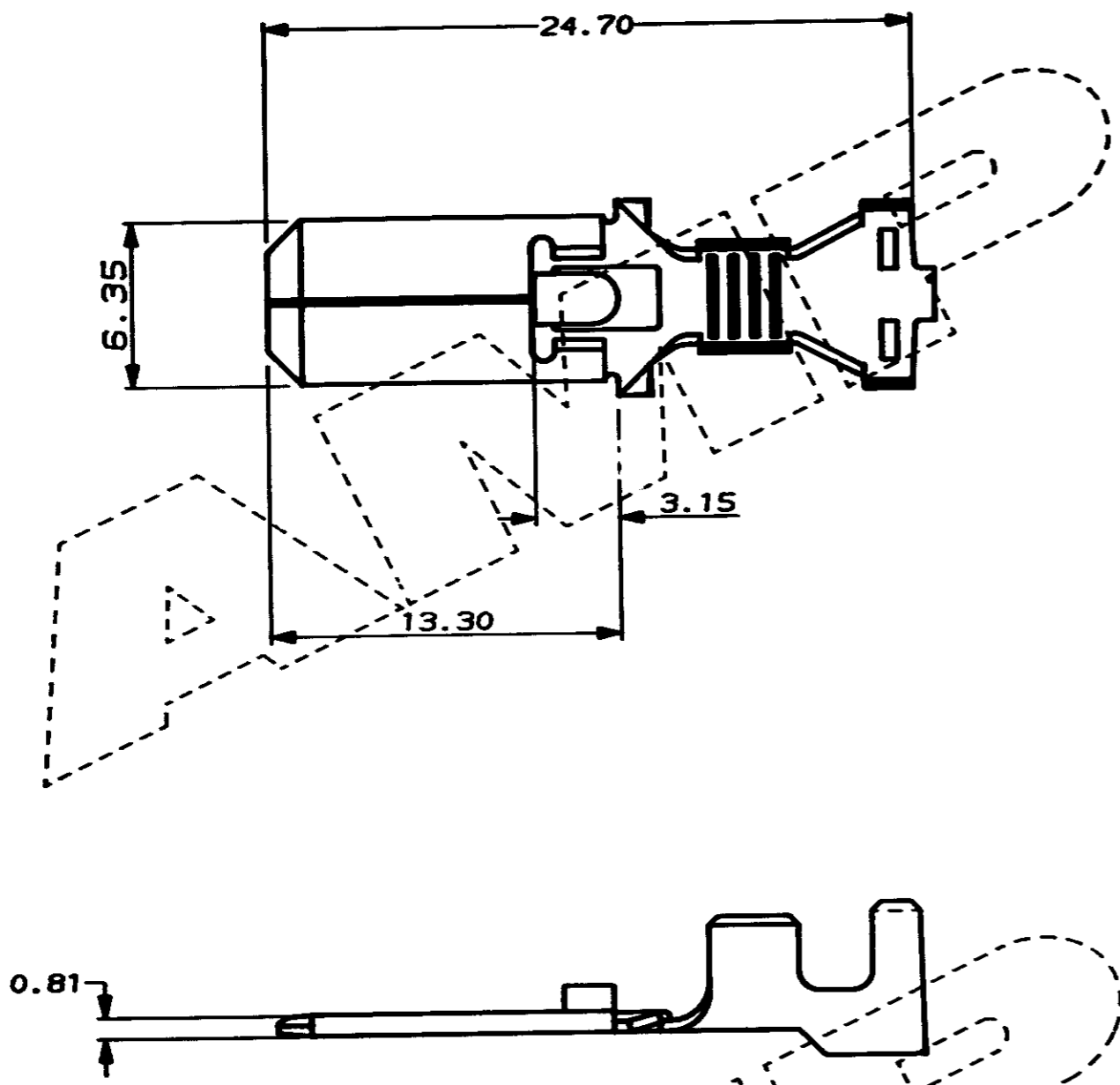


DO NOT SCALE

DIMENSIONS IN MM.



S.C344071.B



WIRE RANGE:
 SINGLE WIRES OF 0.5, 0.75, 1.0 AND 1.5MM²
 OR DOUBLE WIRES OF 2 X 0.5MM² OR 2 X 0.75MM²

INS. RANGE:
 SINGLE WIRES OF 1.6 DIA. TO 2.4 DIA.
 OR DOUBLE WIRES OF 2 X 1.6 DIA. OR 2 X 1.9 DIA.

(NOTE: O/LAP CRIMP FOR SINGLE WIRES AND
 5° CRIMP FOR DOUBLE WIRES TO BE USED).

TIN PLATED		BRASS		344071-1	
FINISH		MATERIAL		PART NUMBER	
CUSTOMER DWG FOR REFERENCE ONLY		© COPYRIGHT 1987 BY AMP OF GREAT BRITAIN LTD. ALL INTERNATIONAL RIGHTS RESERVED. ALL PRODUCTS MAY BE COVERED BY BRITISH AND FOREIGN PATENTS AND/OR PATENTS PENDING.		RELEASED FOR PUBLICATION 23/06/87	
-		TOLERANCES UNLESS OTHERWISE STATED :		DR. R. RUNAGALL 23/06/87	
-		DEC ± 0.5		CH. R. J. S. APP. B. J.	
-		ANGLES ± 1°		Tyco Electronics TERMINAL HOUSE STANMORE MIDDX.	
B ECR-09-025073		16NOV09		NAME .250 SERIES TAB HIGH CURRENT ECONOSEAL 3 (UNSEALED APPLICATIONS)	
A UPDATED		08241 18.5.88		SCALE LOC SIZE DWG.No.	
D REL. FOR PROD.		C4887 8.3.88		4/1 E A3 C344071	
REV APPROVED		ECN DATE		REV SHEET	
				B 1/1	