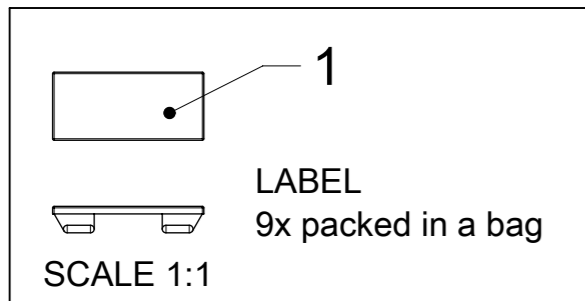


TABLE 1

| MOLEX P/N | ENG. NO. | CABLE LENGTH (mm) | LED |
|------------|----------------|-------------------|-----|
| 1202480019 | BTB8000-FBW-05 | 5000 | NO |
| 1202480020 | BTB8000-FBW-10 | 10000 | NO |
| 1202480021 | BTB8000-FBW-15 | 15000 | NO |
| 1202480022 | BTB800P-FBW-05 | 5000 | YES |
| 1202480023 | BTB800P-FBW-10 | 10000 | YES |
| 1202480024 | BTB800P-FBW-15 | 15000 | YES |
| 1202480521 | BTB800P-FBW-20 | 20000 | YES |
| 1202480025 | BTB800N-FBW-05 | 5000 | YES |
| 1202480026 | BTB800N-FBW-10 | 10000 | YES |
| 1202480027 | BTB800N-FBW-15 | 15000 | YES |

TABLE 2 BILL OF MATERIAL

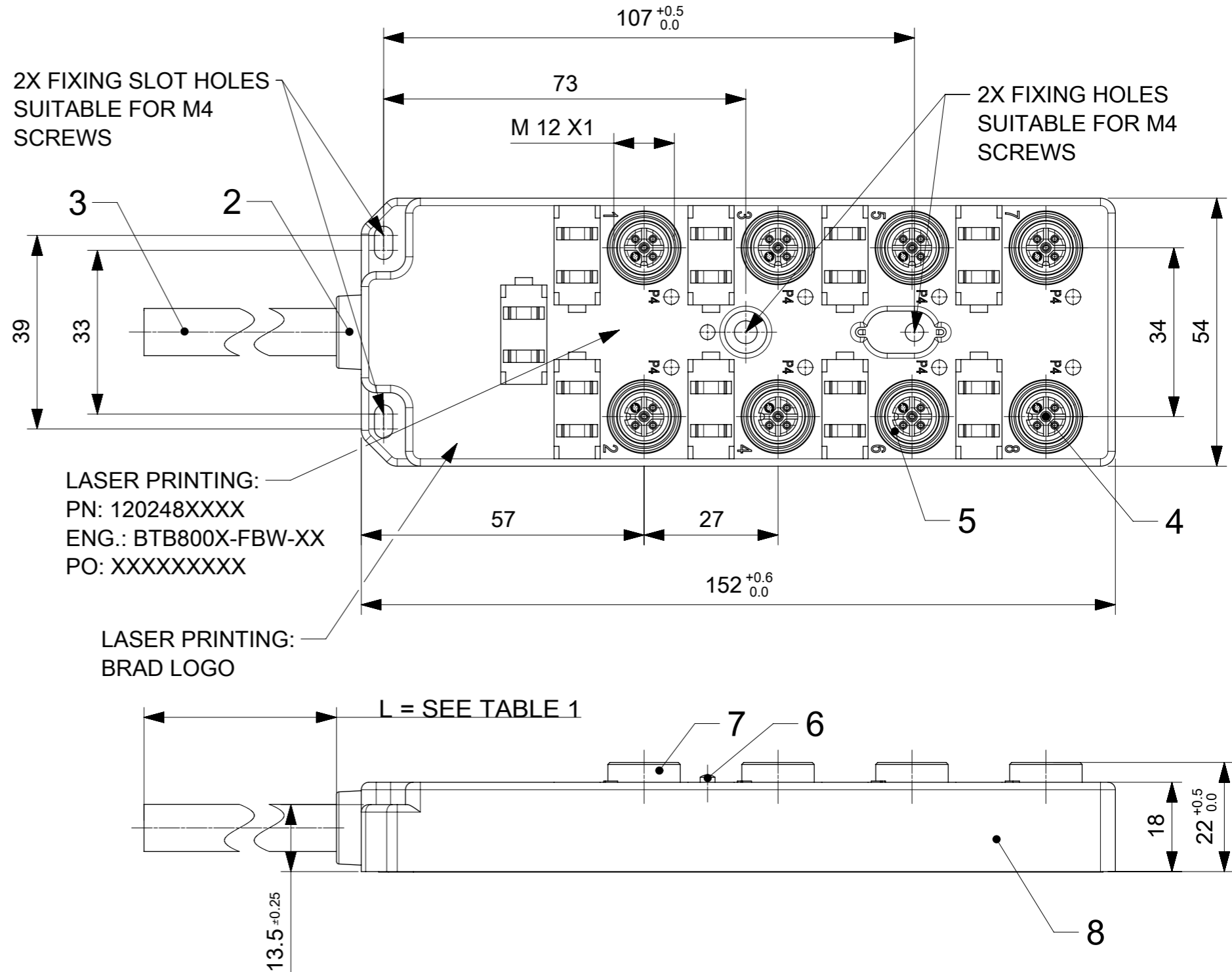
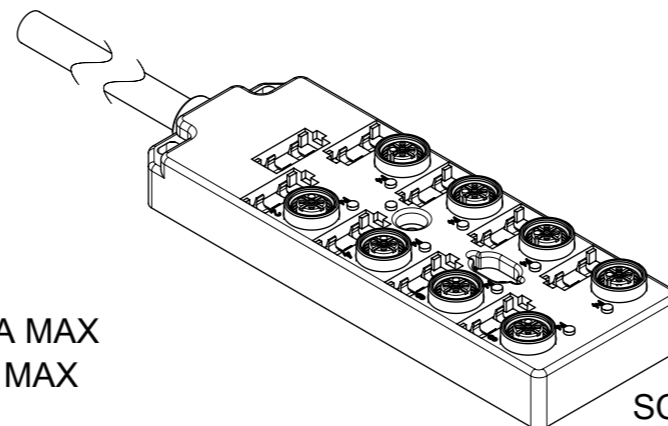
| ITEM | DESCRIPTION | MATERIAL | FINISH |
|------|-------------|------------------------------|----------------------|
| 1 | LABEL | ABS | WHITE |
| 2 | CABLE PLATE | PBT | BLACK |
| 3 | CABLE | TPU BASED | BLACK |
| 4 | CONTACT | BRONZE | GOLD OVER NICKEL |
| 5 | O-RING | FPM | RED |
| 6 | LED | NO LED = PA WITH LED = PA | BLACK TRANSPARENT |
| 7 | SHELL | BRASS | NICKEL PLATED |
| 8 | HOUSING | PBT | BLACK |



GENERAL CHARACTERISTICS:

ELECTRICAL AND MECHANICAL DATA ACC. TO IEC 61076-2-101

NOMINAL VOLTAGE: 10-30 V DC
 AMPERE RATING: 4 A PER PORT / 12 A MAX
 AMPERE RATING WITH UL REGISTRATION: 3 A PER PORT / 9 A MAX
 IP DEGREE OF PROTECTION: IP 67
 TEMPERATURE RANGE: -25°C to + 85°C



| SYMBOLS | THIS DRAWING CONTAINS INFORMATION THAT IS PROPRIETARY TO MOLEX ELECTRONIC TECHNOLOGIES, LLC AND SHOULD NOT BE USED WITHOUT WRITTEN PERMISSION | |
|-----------------|---|--|
| DIMENSION UNITS | SCALE | CURRENT REV DESC: LASER PRINTING ADDED |
| ▽ = 0 | mm | |
| ▽ = 0 | GENERAL TOLERANCES (UNLESS SPECIFIED) | |
| ▽ = 0 | ANGULAR TOL ± | ° |
| ▽ = 0 | 4 PLACES ± | |
| ▽ = 0 | 3 PLACES ± | |
| ▽ = 0 | 2 PLACES ± | |
| ▽ = 0 | 1 PLACE ± | |
| ▽ = 0 | 0 PLACES ± | 0.25 |
| ■ = 0 | DRAFT WHERE APPLICABLE MUST REMAIN WITHIN DIMENSIONS | |
| ▽ = 0 | THIRD ANGLE PROJECTION | DRAWING SERIES MATERIAL NUMBER CUSTOMER SHEET NUMBER |
| | A3-SIZE | 120248 SEE TABLE 1 GENERAL MARKET 1 OF 2 |

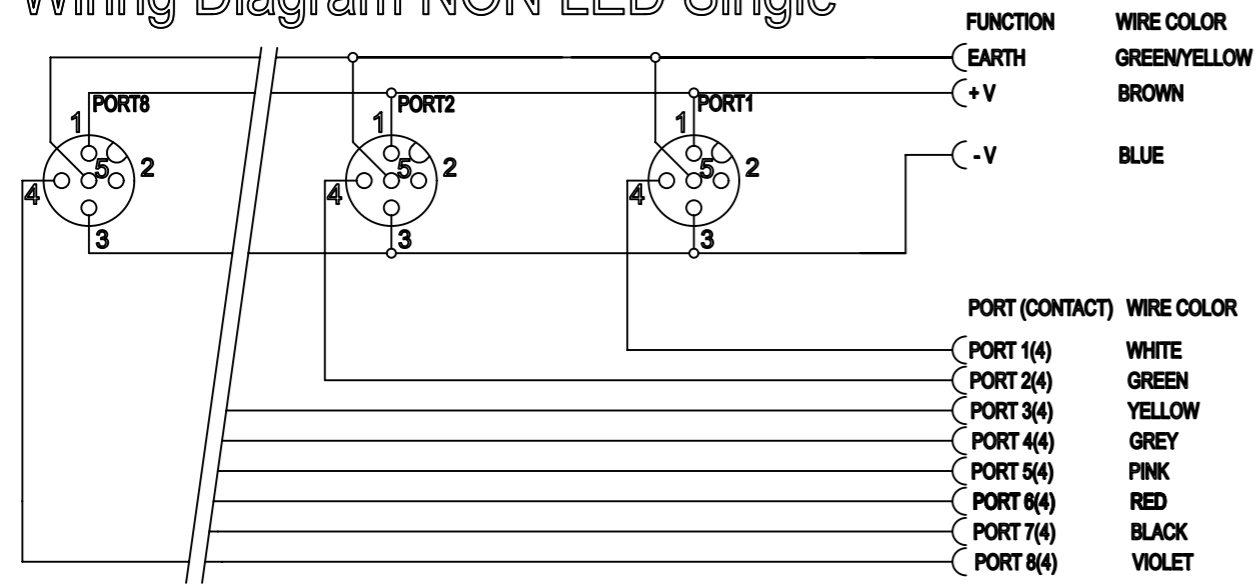
molex

MPIS M12 PNP NPN NOS 4P 8PT AC FE STR BK XM STA SINGLE

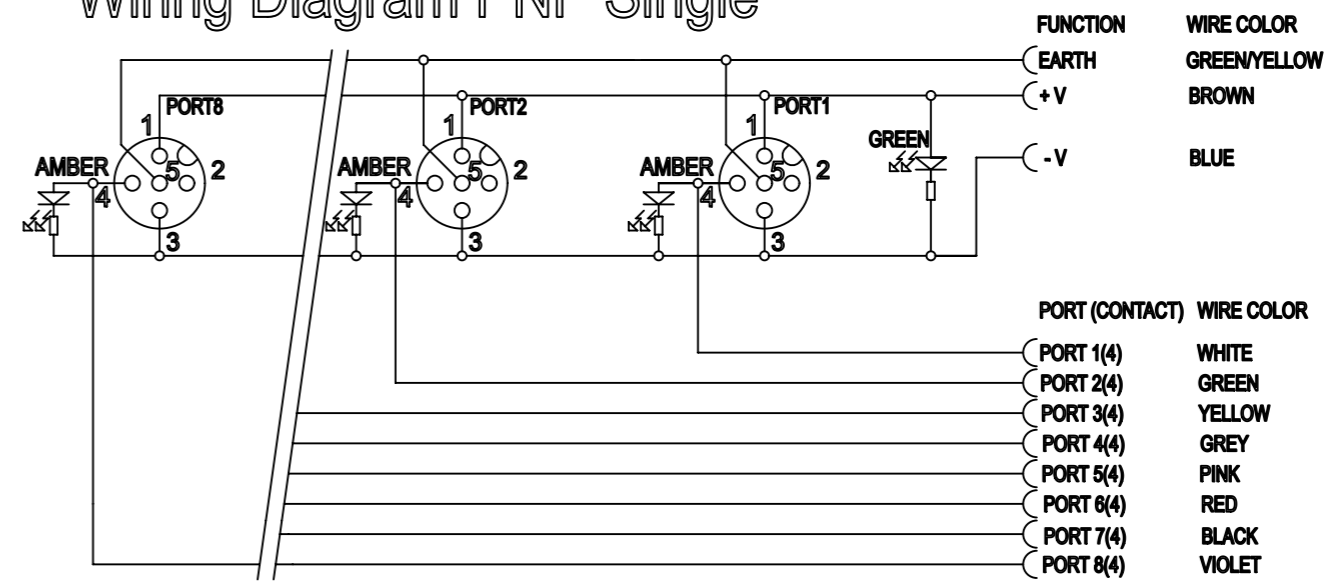
PRODUCT CUSTOMER DRAWING

DOCUMENT NUMBER: 1202480019
 DOC TYPE: PSD
 DOC PART: 000
 REVISION: B

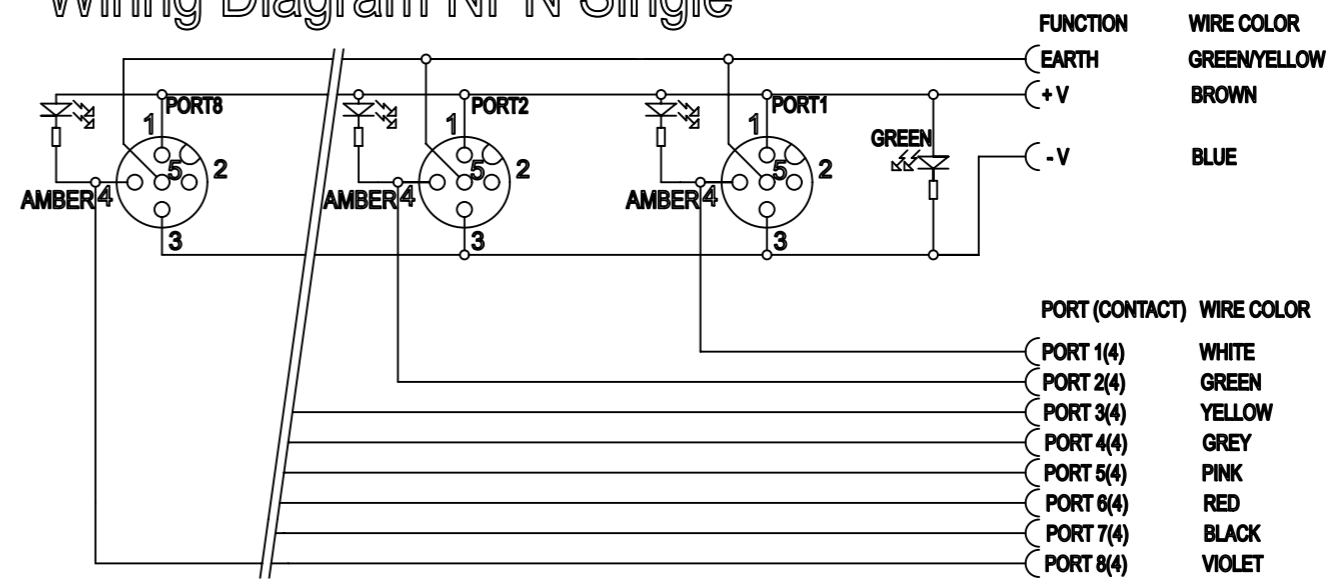
Wiring Diagram NON LED Single



Wiring Diagram PNP Single



Wiring Diagram NPN Single



| | | | | | |
|--|---|--------------------------|--|---|--|
| SYMBOLS DIMENSION UNITS: mm SCALE: 1:1 GENERAL TOLERANCES (UNLESS SPECIFIED): ANGULAR TOL: ± ° 4 PLACES: ± 3 PLACES: ± 2 PLACES: ± 1 PLACE: ± 0 PLACES: ± 0.25 DRAFT WHERE APPLICABLE MUST REMAIN WITHIN DIMENSIONS THIRD ANGLE PROJECTION | THIS DRAWING CONTAINS INFORMATION THAT IS PROPRIETARY TO MOLEX ELECTRONIC TECHNOLOGIES, LLC AND SHOULD NOT BE USED WITHOUT WRITTEN PERMISSION | | CURRENT REV DESC: LASER PRINTING ADDED | | |
| | EC NO: 606042 DRWN: ULETENMEIER 2018/08/15 CHK'D: RSILLER 2018/10/18 APPR: RSILLER 2018/10/18 | | PRODUCT CUSTOMER DRAWING | | |
| | INITIAL REVISION: DRWN: AAHLERS 2015/04/01 APPR: RSILLER 2015/05/20 | | DOCUMENT NUMBER: 1202480019 | DOC TYPE: PSD DOC PART: 000 REVISION: B | |
| | MATERIAL NUMBER: SEE TABLE 1 | CUSTOMER: GENERAL MARKET | SHEET NUMBER: 2 OF 2 | | |