

6

5

4

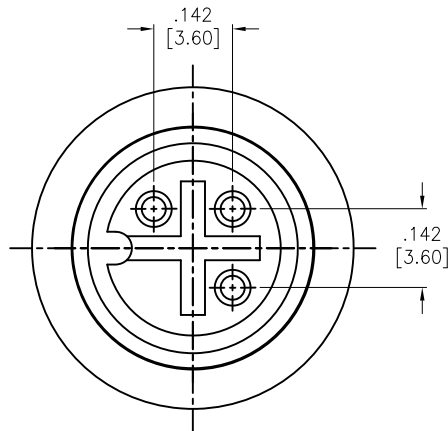
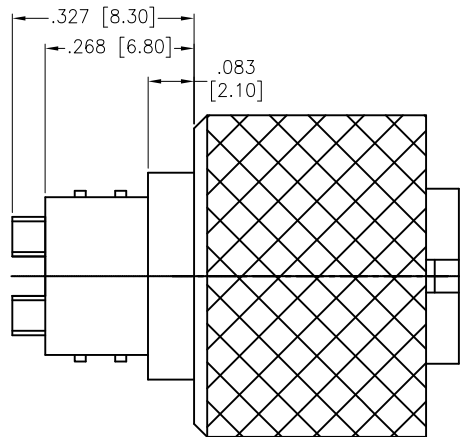
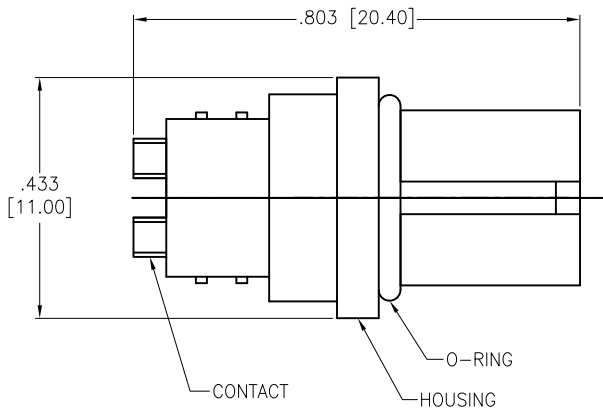
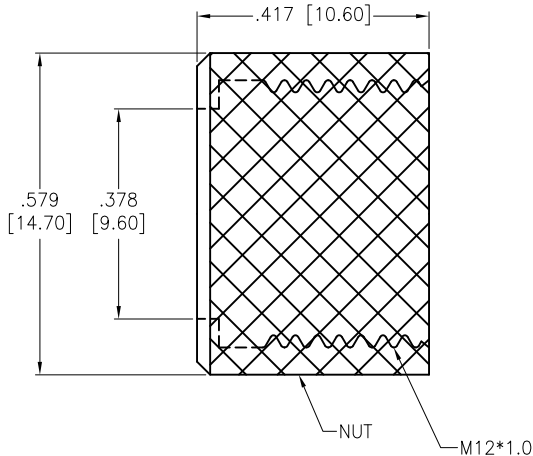
3

2

1

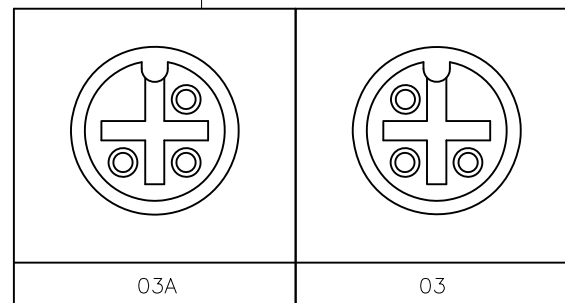
APPROVED: \_\_\_\_\_  
 DATE: \_\_\_\_\_ TITLE: \_\_\_\_\_

Rev	AWO #	Description	Date	Appr
-		RELEASED	9/5/19	



Assembly

SD-PMA03X-FFTS3



SPECIFICATIONS:

Material:  
 Housing: PBT, Color: Black  
 Contacts: Brass, 10u" Gold over Nickel plated  
 Nut: Brass, Nickel plated  
 O-ring: EPDM, Color: Black  
 Electrical:  
 Voltage rating: 125 V  
 Current rating: 5 A  
 Water Proof: IPX7  
 Temperature Rating:  
 Operating temperature: -20°C to +85°C  
 Environmental:  
 Lead free, RoHS compliant.



UNLESS OTHERWISE SPECIFIED  
 ALL DIMENSIONS ARE INCHES [MM]  
 TOLERANCES: EXCEPT AS NOTED  
 INCHES HOLES  
 .X ± .10 Ø.X ± .10  
 .XX ± .020 Ø.XX ± .015  
 .XXX ± .015 Ø.XXX ± .010

**ADAM TECH**  
**INTERCONNECTS**  
 909 Rahway Avenue,  
 Union, NJ 07083  
 Phone: 908-687-5000  
 Fax: 908-687-5710

APPROVALS		DATE
DRAWN	LH	9/5/19
CHECKED	RC	9/5/19
APPROVED		

TITLE		
WATERPROOF CONNECTOR, FEMALE, M12, A-CODING, SEMI-FINISHED PRODUCT		
SIZE	PART NO.	REV.
X	SD-PMA03X-FFTS3	-
REF:	S00298T	SCALE: NTS SHEET 1 OF 1

6

5

4

3

2

1