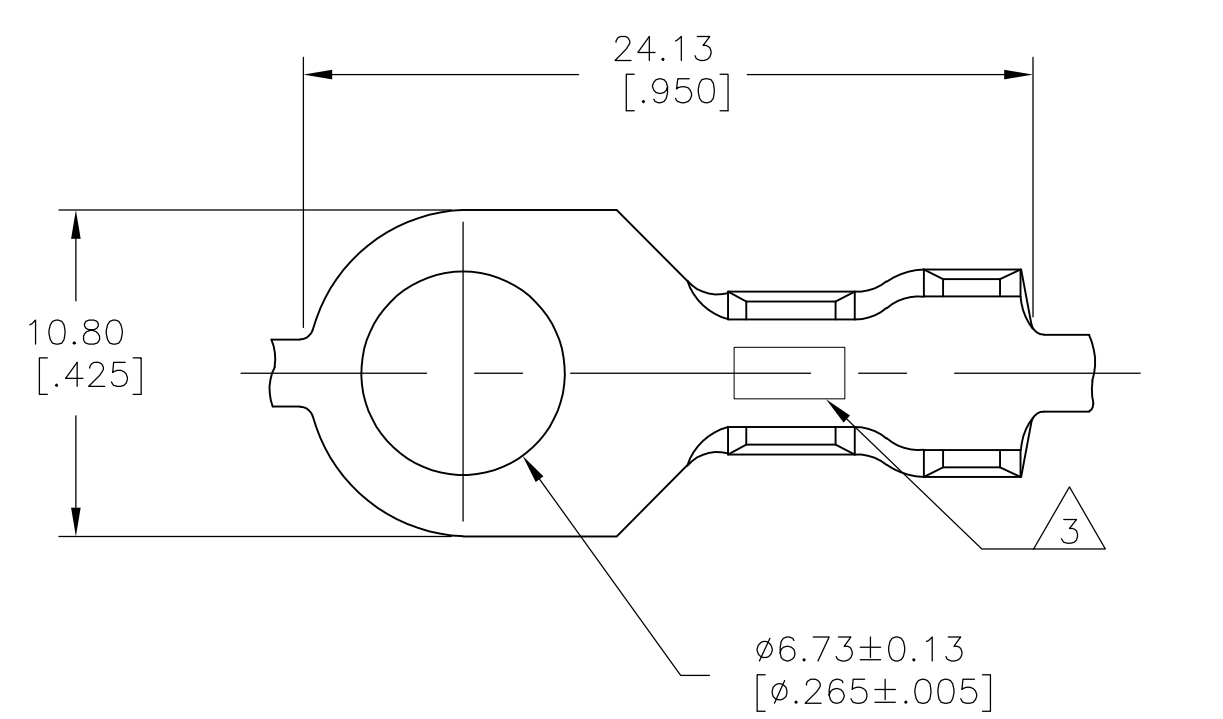
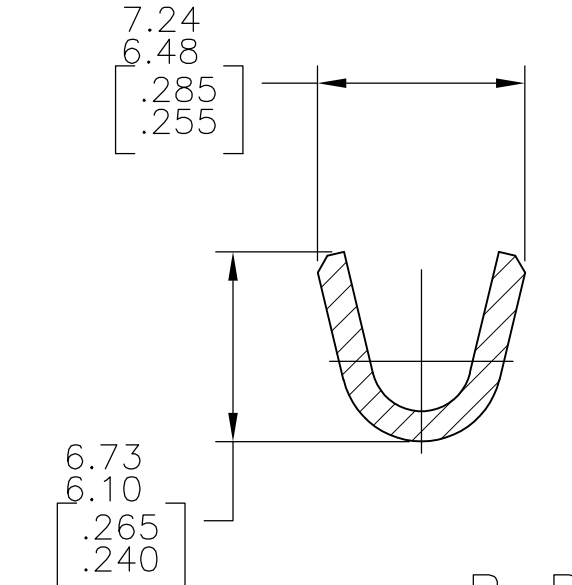
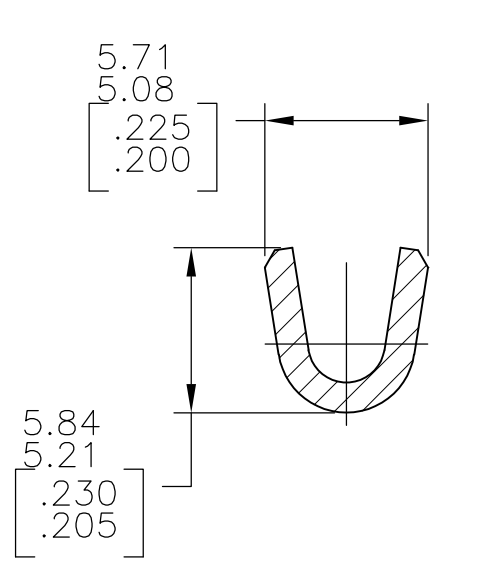
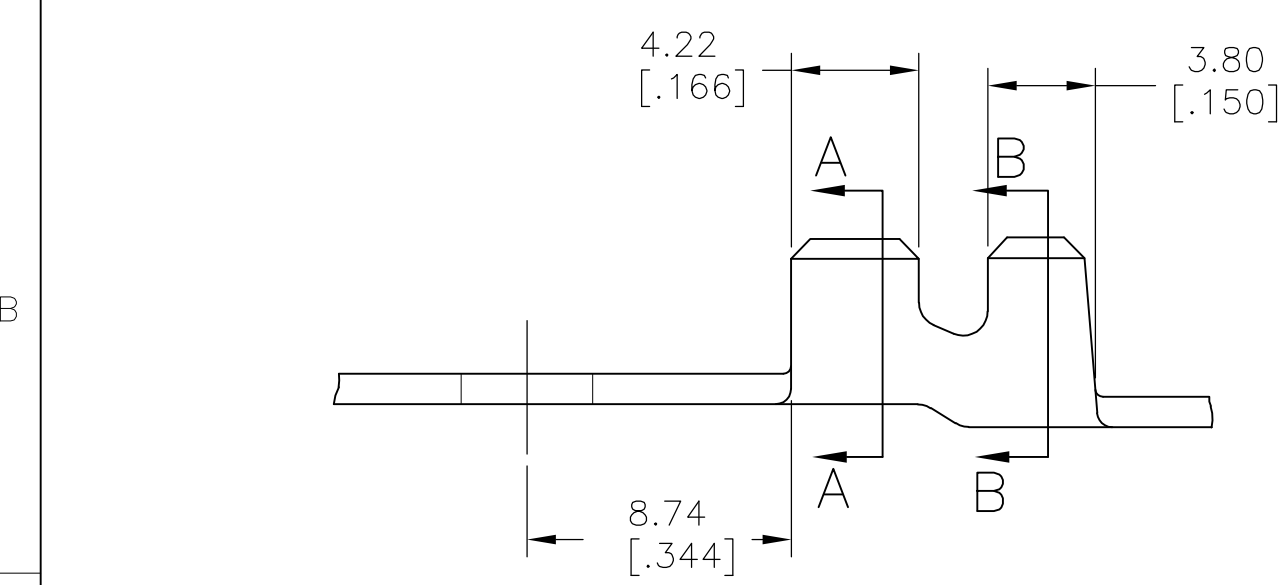


THIS DRAWING IS UNPUBLISHED. RELEASED FOR PUBLICATION
 © COPYRIGHT BY TYCO ELECTRONICS CORPORATION. ALL INTERNATIONAL RIGHTS RESERVED.

LOC	DIST	REVISIONS					
AF	50	P	LTR	DESCRIPTION	DATE	DWN	APVD
			W1	REVISED PER ECR-09-000368	20JAN09	HMR	DD



- 1 CONTINUOUS STRIP ON REELS
- 2 DIMENSIONS IN BRACKETS ARE IN INCHES
- 3 STAMPING: AMP FOR 40973
AMP* FOR 40973-1



OBSOLETE	M-6* * 1/4	2.0-3.0mm ² [14-12]	3.30-4.57 [.130-.180]	TIN	1.02[.040] PHOS BRZ 1.02[.040] BRASS	40973-1 40973
	STUD SIZE	WIRE RANGE	INSULATION RANGE	FINISH	MATERIAL	PART NO

THIS DRAWING IS A CONTROLLED DOCUMENT.		DWN RAGHAVENDRA 20JAN2009	Tyco Electronics Corporation Harrisburg, PA 17105-3608														
DIMENSIONS: mm [INCHES]		CHK DON DECKER 20JAN2009	Tyco Electronics														
TOLERANCES UNLESS OTHERWISE SPECIFIED:		APVD DON DECKER 20JAN2009	NAME														
<table border="0"> <tr><td>0 PLC</td><td>± -</td></tr> <tr><td>1 PLC</td><td>± -</td></tr> <tr><td>2 PLC</td><td>± -</td></tr> <tr><td>3 PLC</td><td>± .038[.015]</td></tr> <tr><td>4 PLC</td><td>± -</td></tr> <tr><td>ANGLES</td><td>±</td></tr> </table>		0 PLC	± -	1 PLC	± -	2 PLC	± -	3 PLC	± .038[.015]	4 PLC	± -	ANGLES	±	PRODUCT SPEC		TERMINAL, RING	
0 PLC	± -																
1 PLC	± -																
2 PLC	± -																
3 PLC	± .038[.015]																
4 PLC	± -																
ANGLES	±																
MATERIAL SEE TABLE		APPLICATION SPEC		SIZE	RESTRICTED TO												
FINISH SEE TABLE		WEIGHT		CAGE CODE	REV												
		CUSTOMER DRAWING		DRAWING NO A3 00779 C-40973	W1												
		SCALE 4:1		SHEET 1 OF 1													