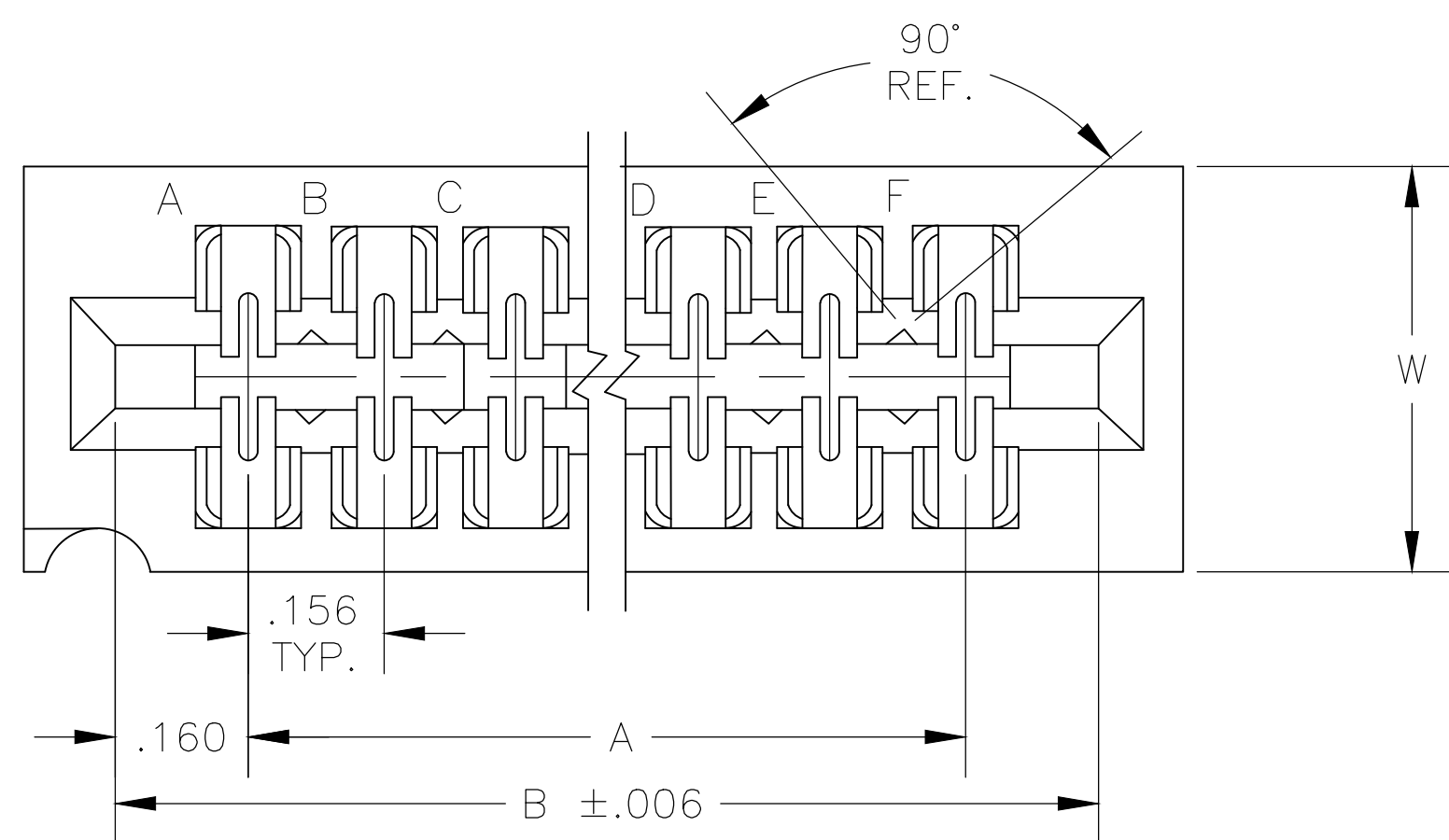
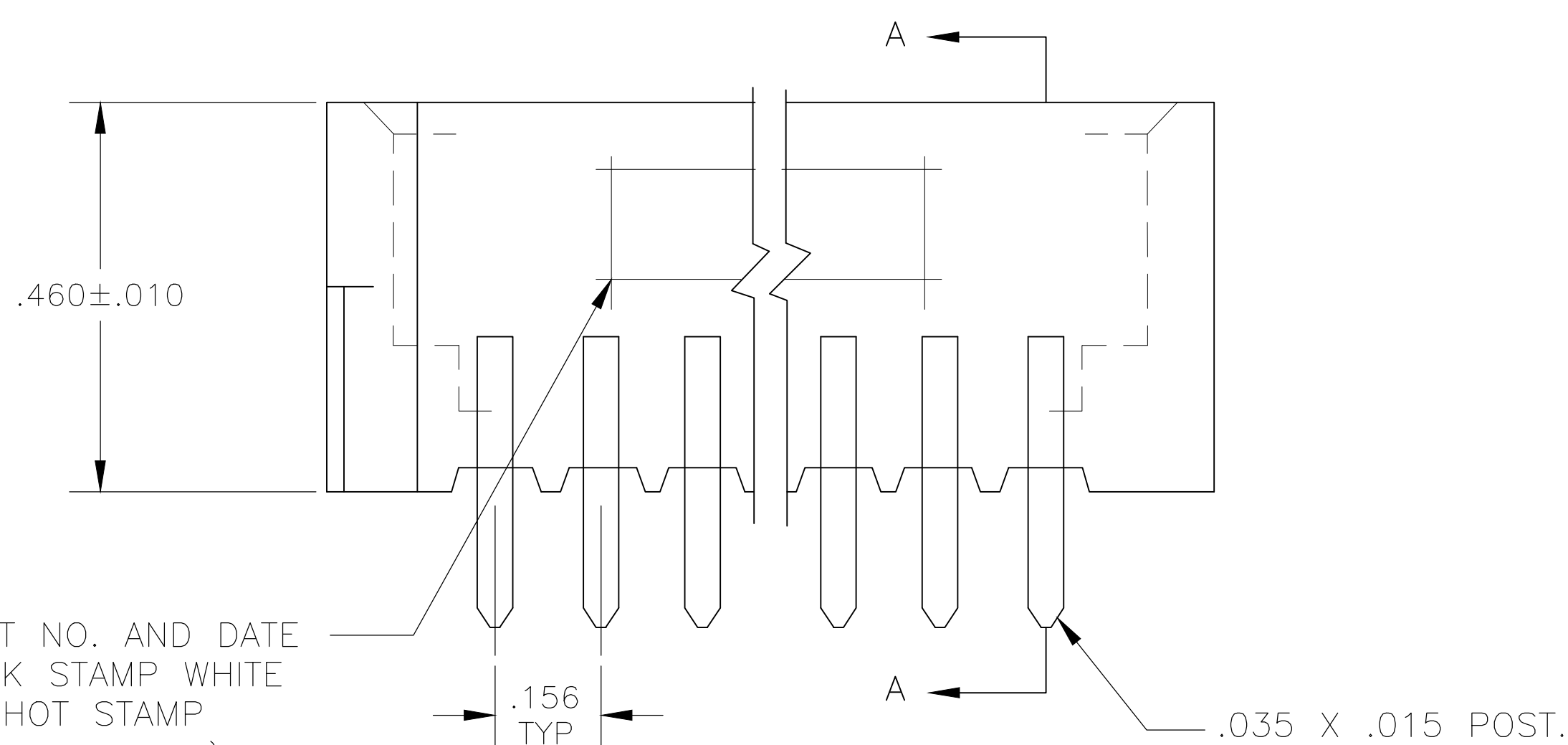


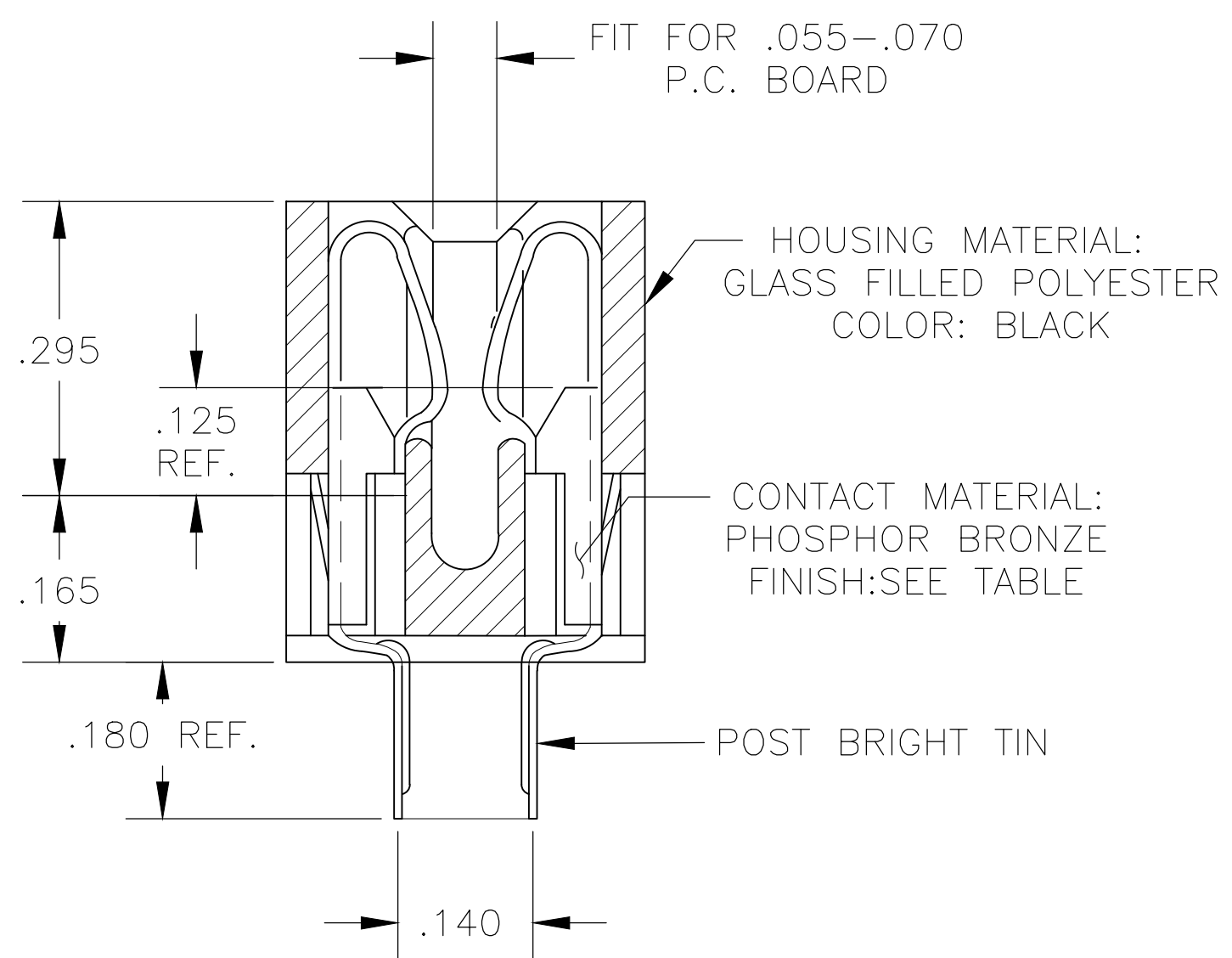
REVISIONS					
P	LTR	DESCRIPTION	DATE	DN	APVD
S		REVISED PER ECO-20-000170	21MAY2020	KR	JO



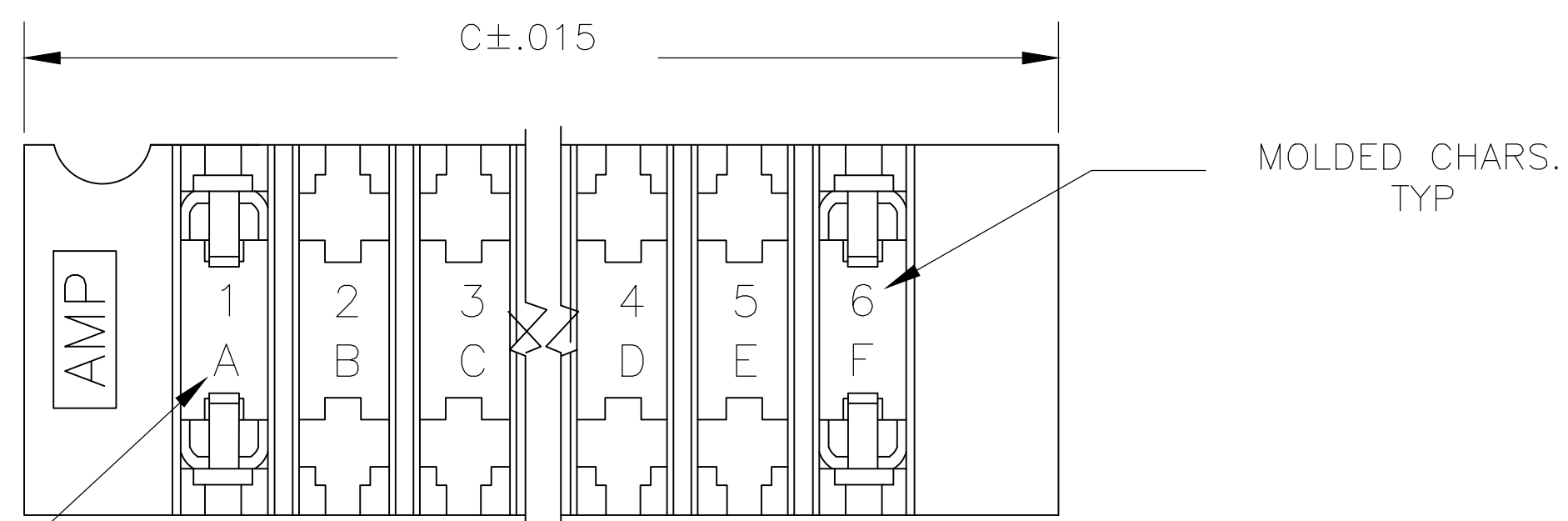
- 1 .000015 MIN. GOLD OVER .000050 MIN. NICKEL IN CONTACT AREA.
- 2 .000030 MIN. GOLD OVER .000050 MIN. NICKEL IN CONTACT AREA.
- 3 ALL PARTS ASSEMBLED IN MEXICO MUST BE STAMPED "ASSY IN MEXICO" THE WORD "MEXICO" CAN BE SUBSTITUTED ONLY WHERE PART SIZE PROHIBITS STAMPING "ASSY IN MEXICO", INK STAMP WHITE OR HOT STAMP (NO WHITE TAPE) 115-9009, APPROX WHERE SHOWN, SIDE OPTIONAL.
- 4 MATTE TIN PLATED CONTACT TAILS.



AMP PART NO. AND DATE CODE INK STAMP WHITE OR HOT STAMP (NO WHITE TAPE) IN THIS AREA. (SIDE OPTIONAL)



SECTION A-A



MOLDED CHARACTERS (UPPER AND LOWER CASE LETTERS FOLLOW BY UPPER CASE LETTERS AA, AB, AC, ETC.) OMITTING LETTERS G, I, O & Q.

4	-	36	5.460	5.780	5.920	8-530669-0	.437
4	-	15	2.184	2.504	2.644	7-530669-4	.370
	1-530669-3	43	6.552	6.872	7.012	3-530669-3	.437
	1-530669-2	28	4.212	4.532	4.672	3-530669-2	.370
	1-530669-1	44	6.708	7.028	7.168	3-530669-1	.437
	1-530669-0	36	5.460	5.780	5.920	3-530669-0	.437
	530669-9	30	4.524	4.844	4.984	2-530669-9	.437
	530669-8	25	3.744	4.064	4.204	2-530669-8	.370
	530669-7	24	3.588	3.908	4.048	2-530669-7	.370
	530669-6	22	3.276	3.596	3.736	2-530669-6	.370
	530669-5	18	2.652	2.972	3.112	2-530669-5	.370
	530669-4	15	2.184	2.504	2.644	2-530669-4	.370
	530669-3	12	1.716	2.036	2.176	2-530669-3	.370
	530669-2	10	1.404	1.724	1.864	2-530669-2	.370
	530669-1	6	.780	1.100	1.240	2-530669-1	.370

OBSOLETE

1 PART NO	NO.OF. POSITION	A	B	C	2 PART NO	W
-----------	-----------------	---	---	---	-----------	---

THIS DRAWING IS A CONTROLLED DOCUMENT.

TE Connectivity

HOUSING ASSY, LOW PROFILE  
EDGE CONNECTOR, FLOW SOLDER POST FIT FOR  
.052 DIA. HOLE .156 X .140 CENTERS.

00779 530669

SCALE 5:1 SHEET 1 OF 1 REV S