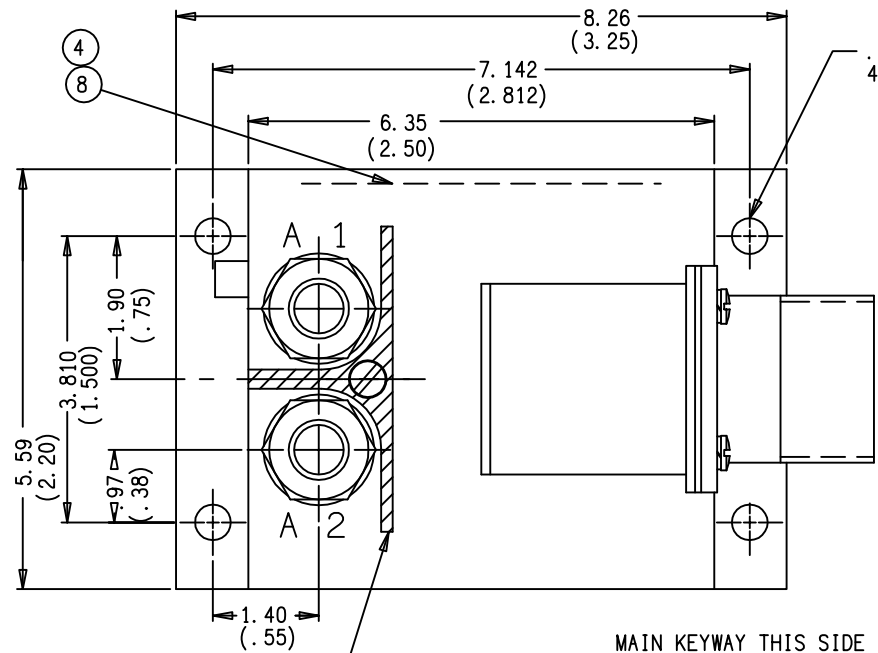


REVISIONS		RELEASED	APPROVED
SYM	DESCRIPTION	DATE	APPROVED
B 34946	FIND NO 4 WAS 39529-017, FIND NO 5 WAS 40891-020	98/02/20	RS
C 36690	REMOVED ITEM 9, ADDED D38999/20WD19PN REF	98/08/12	RS
D 10-013410	WEIGHT WAS 460 GRAMS (1.01 LB)	10/05/18	CB



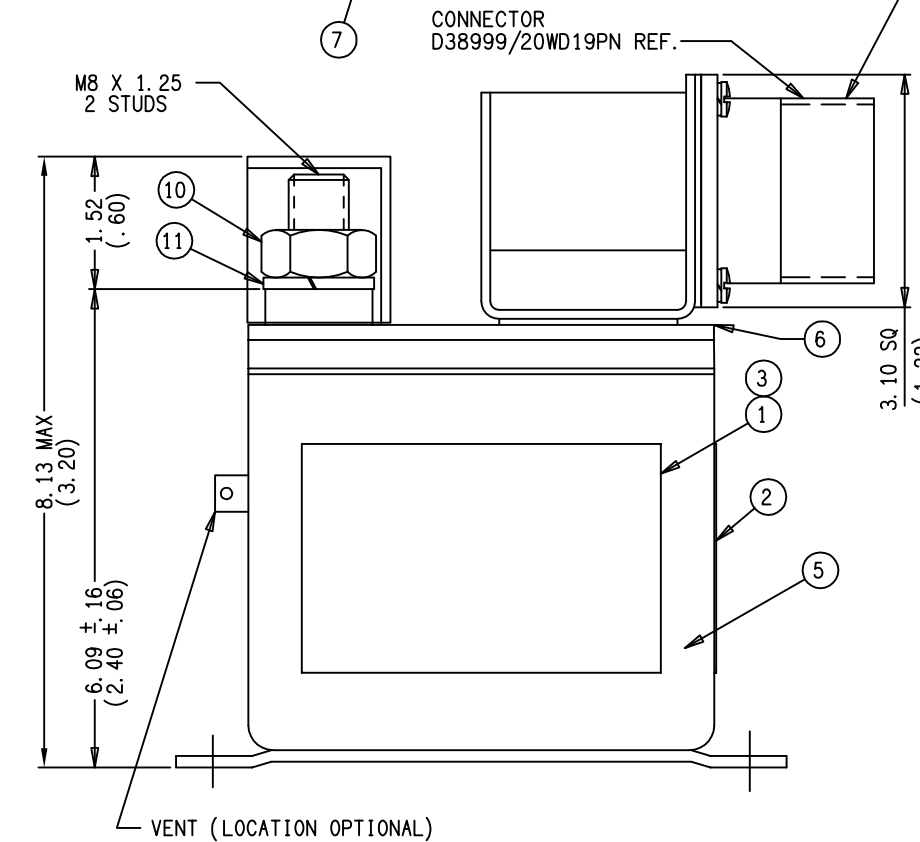
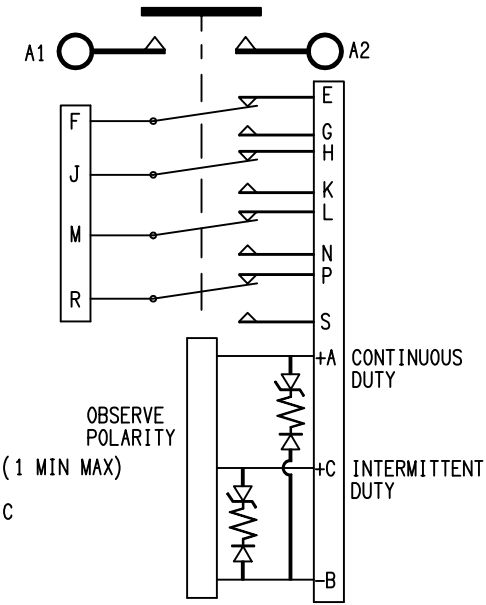
CONSTRUCTION MODE: GASKET SEALED (VENTED) SIDESTABLE

MAIN CONTACTS
 CONFIGURATION: SPST NO (DOUBLE BREAK)
 VOLTAGE (NOMINAL): 28 VDC
 CURRENT: RESISTIVE 200 AMP, INDUCTIVE 200 AMP, RUPTURE 2000 AMP

OPERATE TIME:
 CLOSING: 30 MS MAX AT 28 VDC AT 25° C
 OPENING: 30 MS MAX AT 25° C
 BOUNCE: 3 MS MAX

AUXILIARY CONTACTS
 CONFIGURATION: 4 PDT
 VOLTAGE: 28 VDC
 CURRENT: RESISTIVE 3 AMP, INDUCTIVE 3 AMP, LAMP 2 AMP

COIL DATA (DUAL RATING)
 DUTY CYCLE: CONTINUOUS +A, -B; INTERMITTENT (1 MIN MAX) +C, -B
 CONNECTOR PINS: 18 VDC AT 70° C; 10 VDC AT 70° C
 MIN OPERATE VOLTAGE: 28 VDC
 NOM OPERATE VOLTAGE: 28 VDC
 DROPOUT VOLTAGE: 2-7 VOLTS; 1-5 VOLTS
 COIL CURRENT AT 25° C: .50 AMP MAX; 1.5 AMP MAX



ENVIRONMENTAL DATA
 OPERATE TEMP: -40° C TO 70° C
 ACCELERATION: 5 G'S
 ALTITUDE: 15,000 FEET MAX

LIFE
 ELECTRICAL: 50,000 CYCLES MIN
 MECHANICAL: 100,000 CYCLES MIN

WEIGHT MAX: 470 GRAMS (1.03 LB)

NOTES:
 1. DIMENSIONS IN CM
 DIMENSIONS IN PARENTHESIS IN INCHES
 2. COIL TRANSIENT VOLTAGE LIMITED TO 42V PEAK

11	2	60202-084	WASHER, M8, SPLIT, ISO METRIC	BRONZE
10	2	60200-084	NUT, M8 X 1.25-6H, HEX, ISO METRIC	BRASS
9				
8	1	42643-002	PLATE - WIRING DIAGRAM	
7	1	41214-010	TERMINAL SHIELD ASSEMBLY	
6	1	41101-001	PLATE BASE COVER	
5	1	40891-030	CONTACTOR ASSEMBLY - PRIMARY	
4	1	39529-033	OVERLAY - WIRING DIAGRAM	
3	1	39529-001	OVERLAY - NAME PLATE	
2	1	25695-001	PLATE - WARNING	
1	1	16043-001	PLATE - NAME	

FIND NO	QTY REQD	PART OR IDENTIFYING NO	NOMENCLATURE OR DESCRIPTION	MATERIAL OR NOTE
---------	----------	------------------------	-----------------------------	------------------

DIMENSIONS IN PARENTHESIS ARE IN INCHES TOLERANCES ON		REF: AGUSTA EA 2400V 513-005	
2 PL DEC.	3 PL DEC.	ANGLES	
± .06	± .10	± 1°	
UNLESS OTHERWISE SPECIFIED DIMENSIONS ARE IN CM TOLERANCES ON		SIZE CODE IDENT	
2 PL DEC.	3 PL DEC.	ANGLES	
± .15	± .25	± 1°	
		SCALE	NONE SHEET

Tyco Electronics
 Hartman Division, 175 N. DIAMOND STREET, MANSFIELD, OHIO 44902

CONTACTOR - SPST
 200 AMP, 28 VDC

DWG NO. NN-448B-2

REF TE P/N 1616073-4