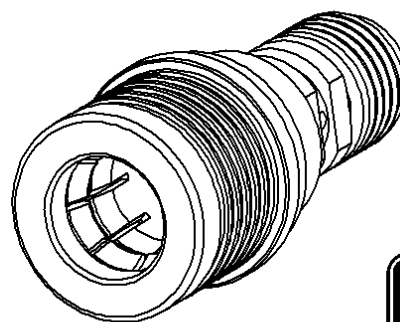
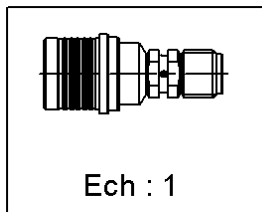
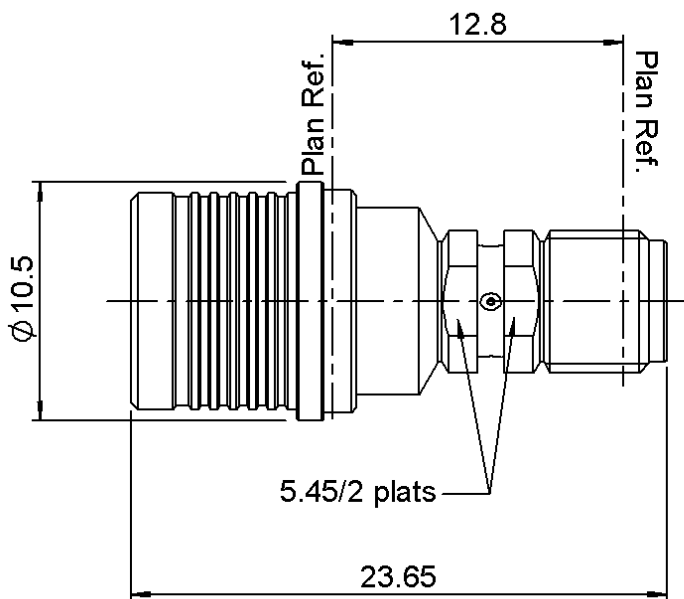
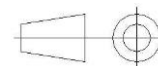


PAGE 1/2	ISSUE 18-07-17F	SERIES ADAPT	PART NUMBER R191911000
----------	-----------------	--------------	------------------------



All dimensions are in mm. Tolerances according ISO 2768 m-H



COMPONENTS	MATERIALS	PLATING (μm)
Body	BRASS.	BBR
Center contact	BERYLLIUM COPPER	GOLD OVER COPPER
Outer contact	BRONZE	BBR
Insulator	PTFE	
Gasket		
Others parts	BRASS.	BBR
-	-	-
-	-	-

PAGE 2/2	ISSUE 18-07-17F	SERIES ADAPT	PART NUMBER R191911000
----------	-----------------	--------------	------------------------

PACKAGING

Standard	Unit	Other
1	Contact us	Contact us

ELECTRICAL CHARACTERISTICS

Impedance		50	Ω
Frequency		0-6	GHz
VSWR	1.18	+	0,0000 x F(GHz) Maxi
Insertion loss		0.07	√F(GHz) dB Maxi
RF leakage	- (*80	- F(GHz) dB Maxi
Voltage rating		500	Veff Maxi
Dielectric withstanding voltage		1000	Veff mini
Insulation resistance		5000	MΩ mini

ENVIRONMENTAL

Operating	-40/+105	°C
Hermetic seal	NA	Atm.cm3/s
Panel leakage	NA	

MECHANICAL CHARACTERISTICS

Center contact retention			
Axial force – Mating End		27	N mini
Axial force – Opposite end		27	N mini
Torque		2.8	N.cm mini

SPECIFICATION

OTHER CHARACTERISTICS

*RF leakage Interf. only :3<F<6GHz=>70dB
 ** >-120dBc at 1.8GHz (2 x 20W)

Recommended torque			
Mating	QMA	0	N.cm
	SMA-COM	60	N.cm
		0	N.cm
Panel nut			N.cm
Mating life		100	Cycles mini
Weight		5,6500	g