

REVISIONS

P	LTR	DESCRIPTION	DATE	DWN	APVD
	A	REVISED PER ECO-18-008569	15JUN2018	RS	JO

1 FOR MINI-APPLICATOR CRIMPING

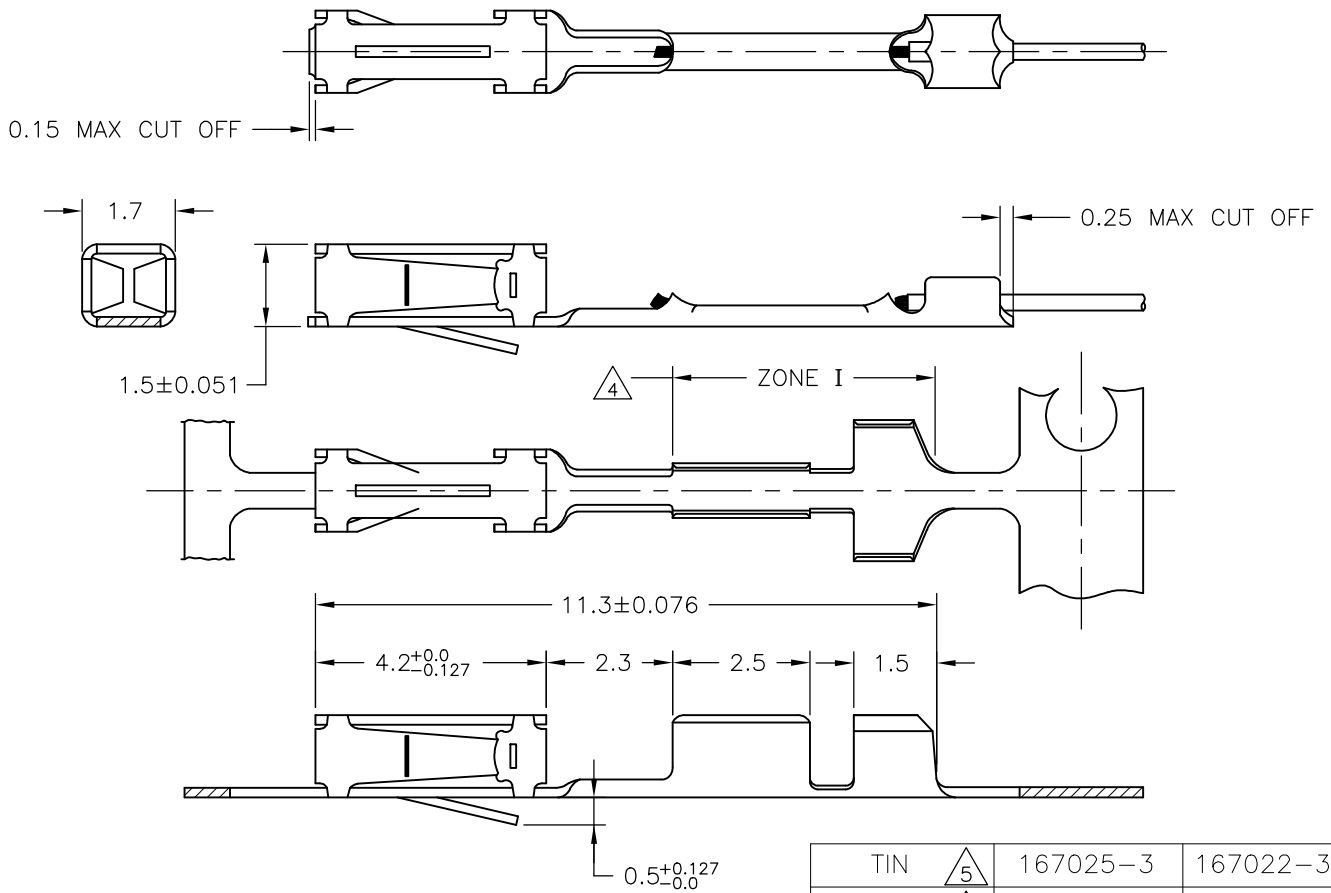
△2 UNDERCOATING 1.25μM Ni, SELECTIVE 0.8μM Au, NO GOLD FLASH

△3 UNDERCOATING 1.25μM Ni, SELECTIVE 0.8μM Au, REMAINDER GOLD FLASH

△4 ZONE I BRIGHT TIN/LEAD PLATED

△5 PRE TIN PLATED 2.0μM

6 MATERIAL: PHOS BRONZE



TIN	△5	167025-3	167022-3
GOLD	△3	167025-2	167022-2
GOLD	△4/△2	167025-1	167022-1
PLATING		LOOSE PIECE	ORDER NO

WIRE RANGE: 28-32 AWG 0.03-0.09 mm <sup>2</sup>	INSUL. RANGE: .020-.040 0.5-1.02 DIA
---	--

THIS DRAWING IS UNPUBLISHED. ALL RIGHTS RESERVED. © COPYRIGHT - TE Connectivity Ltd.

DIMENSIONS: mm	DWN RAVI S 15JUN2018	MATERIAL	FINISH
TOLERANCES UNLESS OTHERWISE SPECIFIED:	CHK OLSON JOSEPH 15JUN2018	<b>TE</b> TE Connectivity Ltd.	
0 PLC ± -	APVD OLSON JOSEPH 15JUN2018		
1 PLC ± -	PRODUCT SPEC	NAME AMP MODUMODV RECEPTACLE	
2 PLC ± -	APPLICATION SPEC	SIZE	RESTRICTED TO
3 PLC ± -	WEIGHT	A4	—
4 PLC ± -		CAGE CODE	
ANGLES ± -		00779	
		DRAWING NO	
		C-167022	
		SCALE	
		1:1	
		SHEET	
		1 OF 1	
		REV	
		A	