

THIS DRAWING IS UNPUBLISHED.

RELEASED FOR PUBLICATION

20

© COPYRIGHT 20 BY -

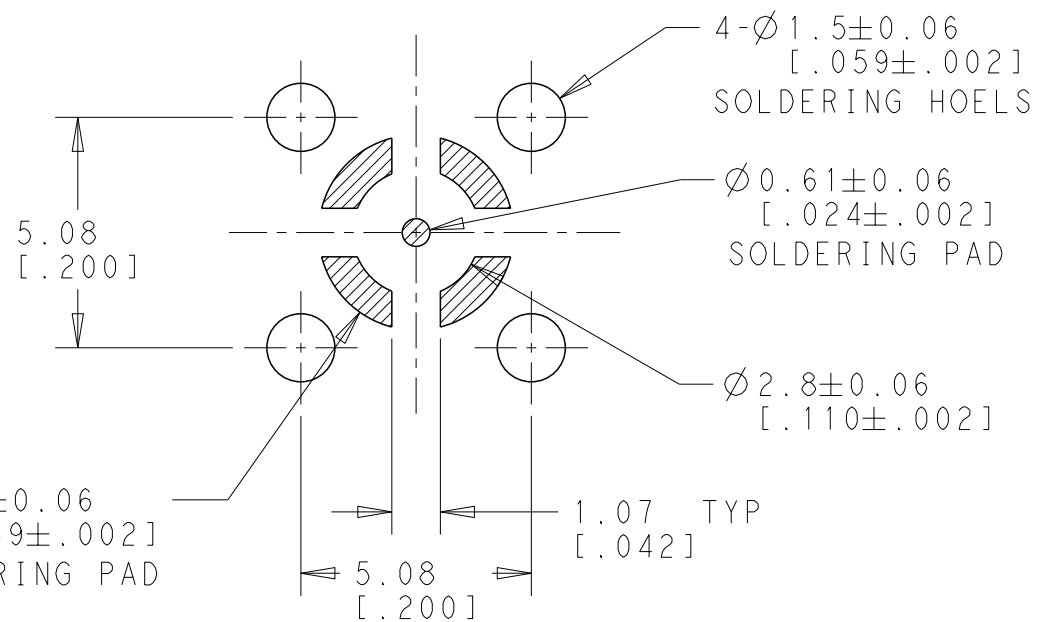
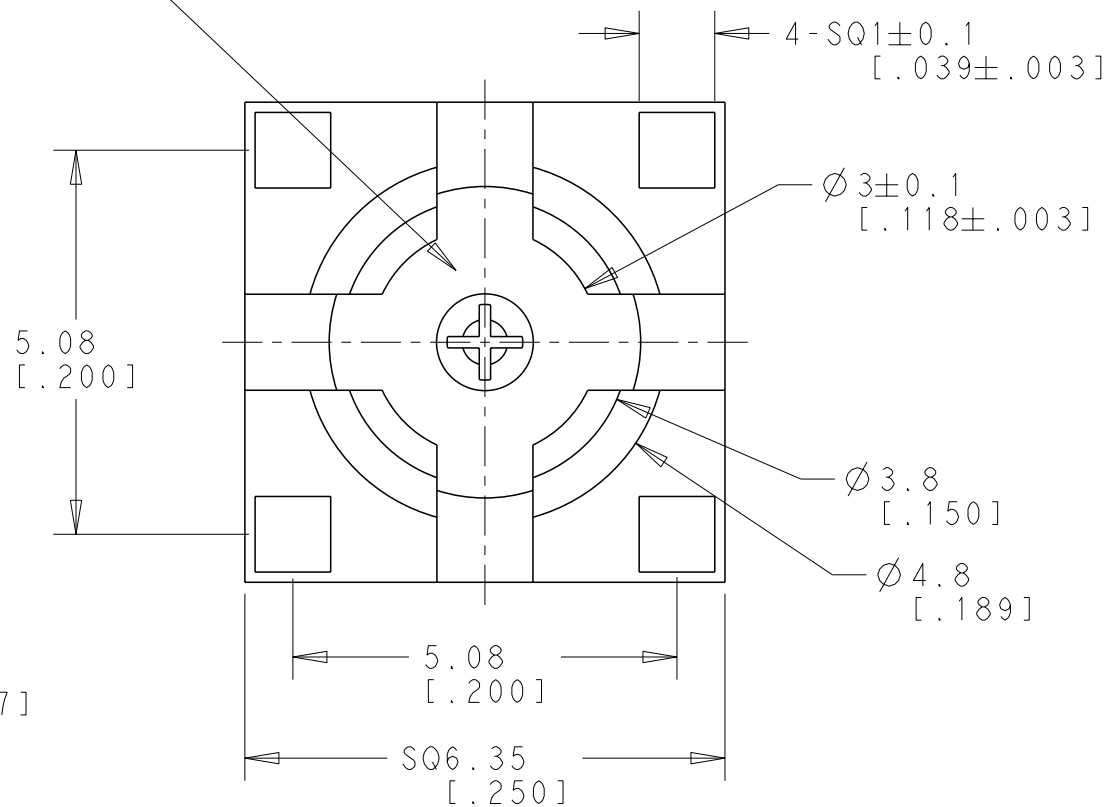
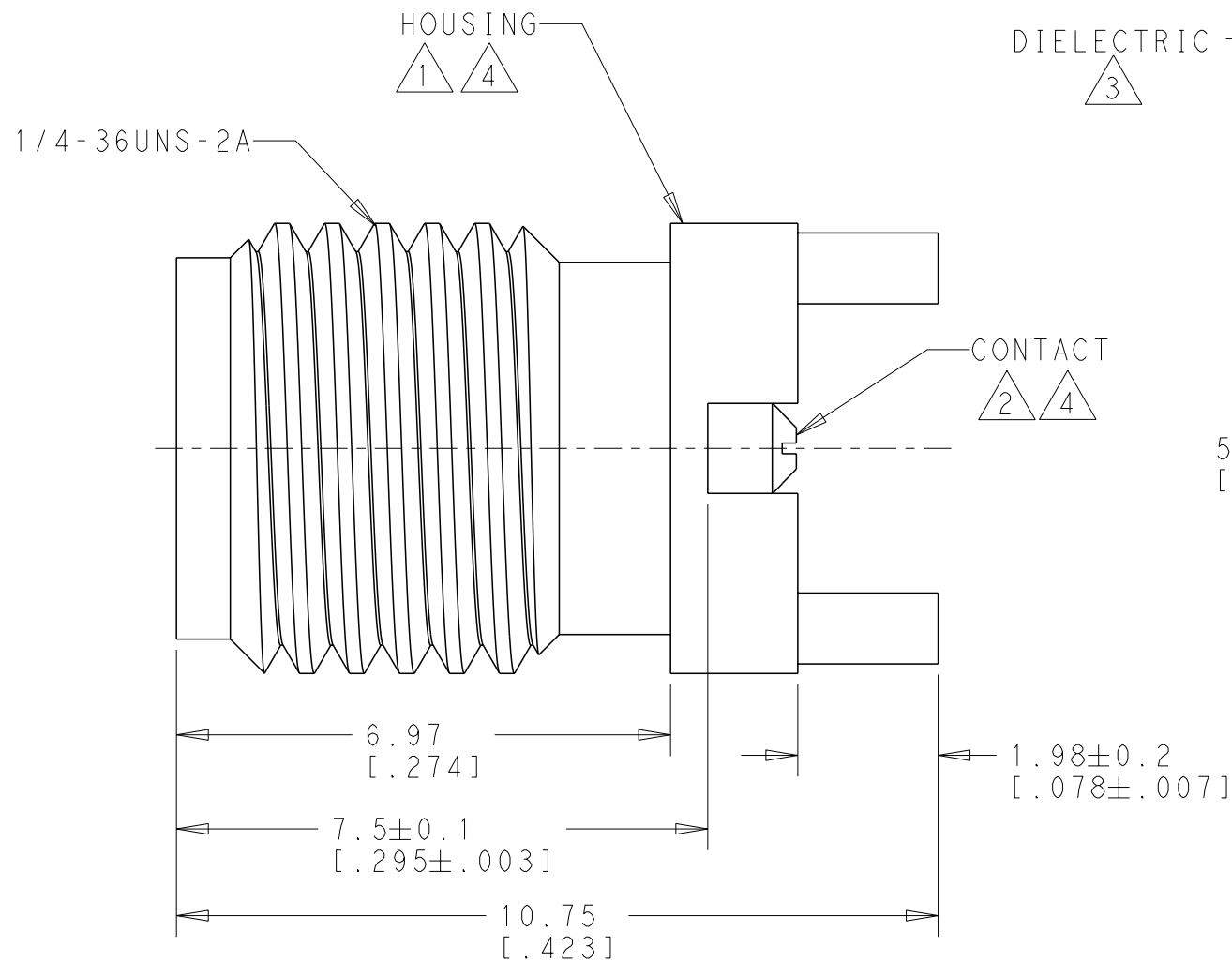
ALL RIGHTS RESERVED.

LOC -

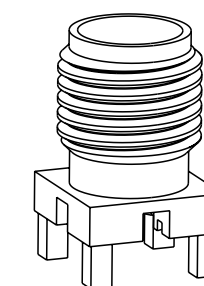
DIST -

REVISIONS

P	LTR	DESCRIPTION	DATE	DWN	APVD
C1		REVISE PER ECR-17-006468	05MAY2017	LN	RS



- 1 BRASS
- 2 BERYLLIUM COPPER
- 3 PTFE
- 4 GOLD PLATED



SCALE 3:1

2081170-1
 P/N

RECOMMENDED PCB LAYOUT SCALE 6:1

THIS DRAWING IS A CONTROLLED DOCUMENT.		DWN 29AUG2011 ANSON MA			
DIMENSIONS: mm[INCH]		CHK -			
TOLERANCES UNLESS OTHERWISE SPECIFIED:		APVD 29AUG2011 MARTIN YE	NAME SMA JACK STRAIGHT, 26 GHz RF CONNECTOR		
0 PLC ±-		PRODUCT SPEC -	APPLICATION SPEC -		
1 PLC ±0.2		WEIGHT -	SIZE A3	CAGE CODE 00779	DRAWING NO C-2081170
2 PLC ±0.1		CUSTOMER DRAWING	SCALE 10:1	SHEET 1 OF 1	REV C1
3 PLC ±0					
4 PLC ±0					
ANGLES ±2°					
FINISH NOTES					