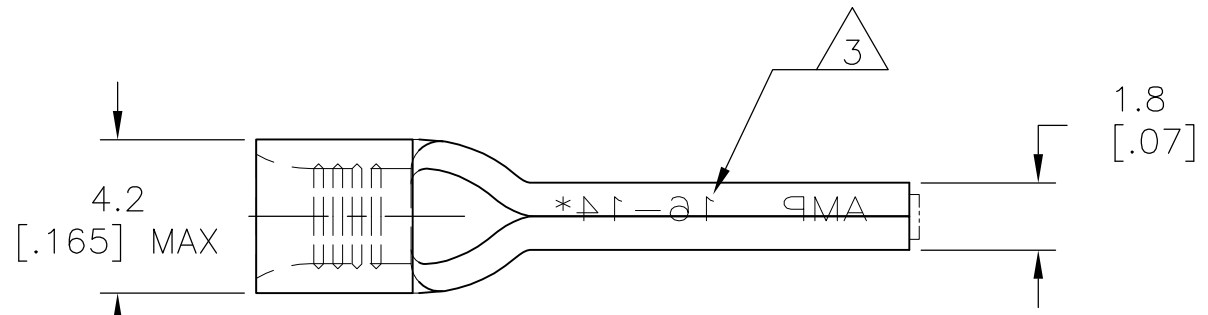
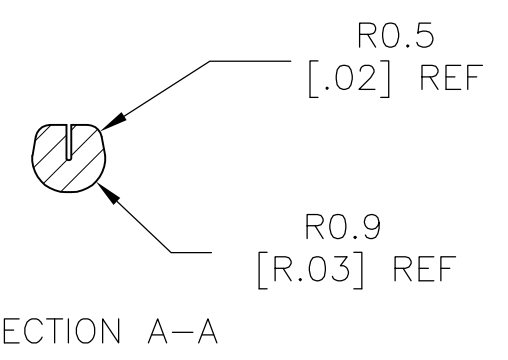
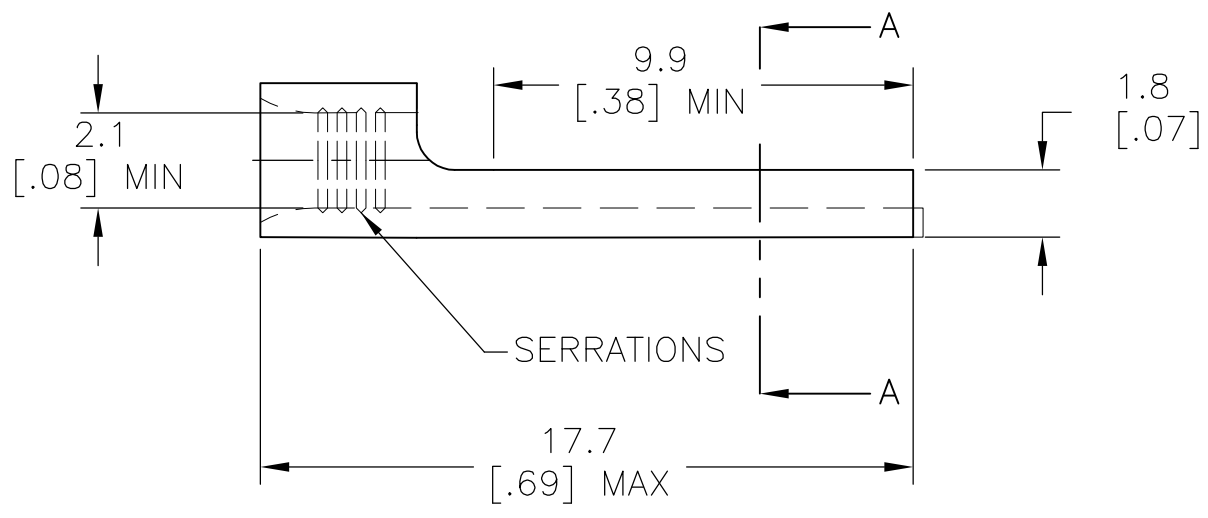


THIS DRAWING IS UNPUBLISHED. RELEASED FOR PUBLICATION
 © COPYRIGHT - By - ALL RIGHTS RESERVED.

| LOC | DIST | REVISIONS | | | |
|-----|------|-------------|---------------------------|-----------|-------|
| P | LTR | DESCRIPTION | DATE | DWN | APVD |
| G | 86 | D1 | REVISED PER ECO-14-003208 | 17MAR2014 | NK DR |



- 1 TIN PLATE 0.00254[.000100] MIN EXT THK PER ASTM B545
- 2 OPERATING TEMP 170°C[338°F] MAX
- 3 STAMP AMP 16-14* APPROX AS SHOWN



| | | | | |
|------|--------------|--------|-----------------------|---------|
| 1000 | LOOSE PIECE | 1 | COPPER PER ASTM B-152 | 165170 |
| QTY | PACKAGE TYPE | FINISH | MATERIAL | PART NO |

| | | | | | |
|--|--|---------------------------------|---|------------|---------------|
| THIS DRAWING IS A CONTROLLED DOCUMENT. | | DWN JR RUTH 31MAY07 | STE TE Connectivity | | |
| DIMENSIONS: mm [INCHES] | | CHK T MICHELUTTI 31MAY07 | | | |
| TOLERANCES UNLESS OTHERWISE SPECIFIED: | | APVD T MICHELUTTI 31MAY07 | NAME SOLISTRAND WIRE PIN (LONG) 16-14 | | |
| 0 PLC ± - | | PRODUCT SPEC | SIZE | | |
| 1 PLC ± - | | APPLICATION SPEC | CAGE CODE | DRAWING NO | RESTRICTED TO |
| 2 PLC ± - | | WEIGHT | A3 | 00779 | C-165170 |
| 3 PLC ± - | | CUSTOMER DRAWING | SCALE | SHEET | REV |
| 4 PLC ± - | | | 5:1 | 1 OF 1 | D1 |
| ANGLES ± - | | | | | |
| FINISH | | | | | |