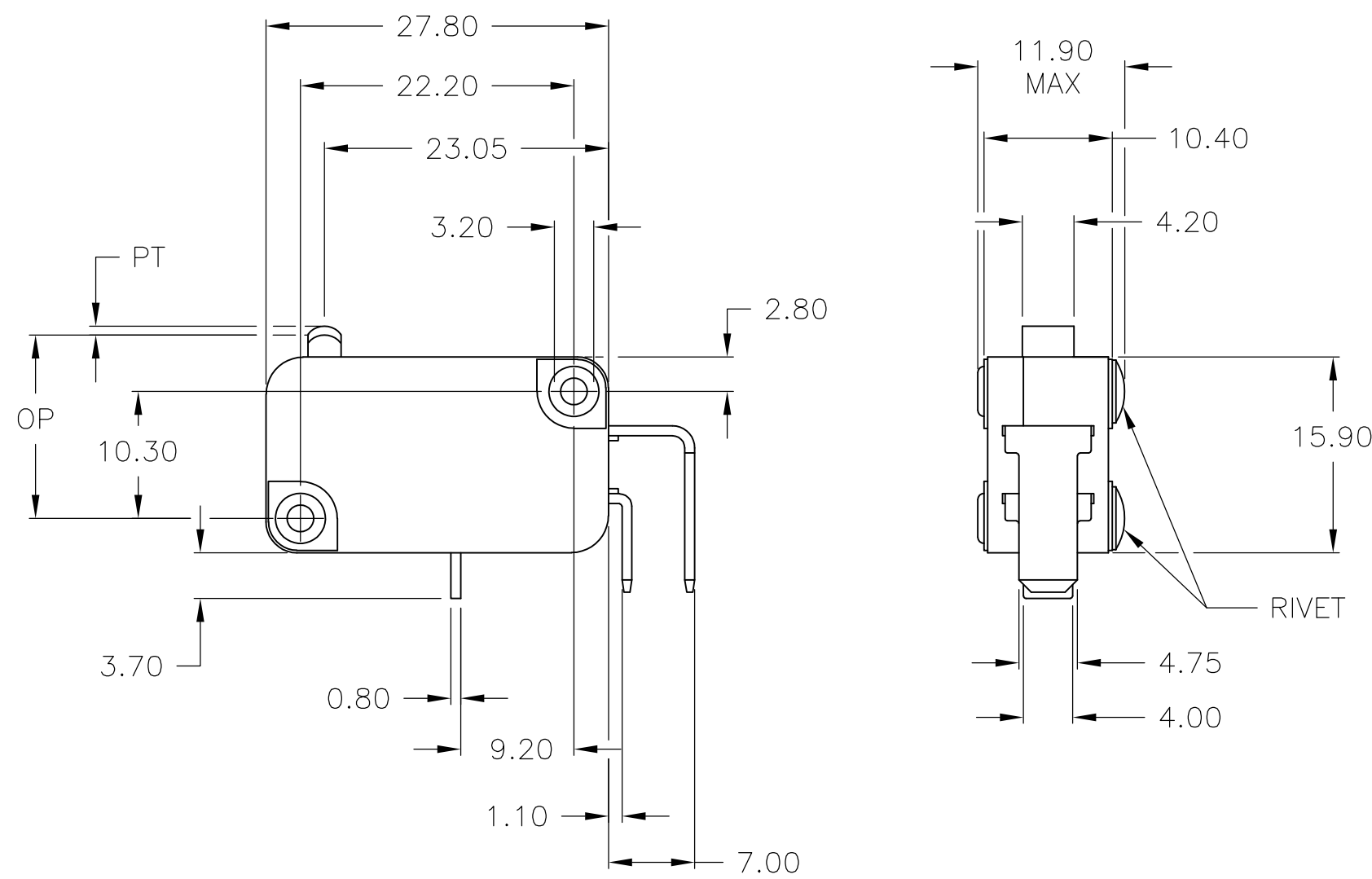


THIS DRAWING IS UNPUBLISHED. RELEASED FOR PUBLICATION  
 © COPYRIGHT - By - ALL RIGHTS RESERVED.

LOC	DIST	REVISIONS					
AD	00	P	LTR	DESCRIPTION	DATE	DWN	APVD
			A1	REVISED PER ECO-12-020403	21NOV12	KH	PO


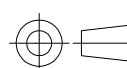


SPECIFICATIONS:

- MATERIAL OF BASE: P.B.T.
- MATERIAL OF COVER: P.B.T.
- RATING: 10A 250VAC MAX
- INSULATION RESISTANCE: 100M MIN(@500 VDC)
- DIELECTRIC STRENGTH: 2000 VAC FOR 60 SECONDS
- OF: 200g MAX
- RF: 50g MIN
- PT: 1.4mm MAX
- OT: 0.8mm MIN
- MD: 0.5mm MAX
- FP: 15.7mm MAX
- OP: 14.7±0.5mm

NOTE:  
 1. PARTS TO BE RoHS COMPLIANT

1517266-1  
 PART NUMBER

THIS DRAWING IS A CONTROLLED DOCUMENT.		DWN	KIRAN HOLAL	07DEC11	 TE Connectivity	NAME		MICRO SWITCH	
DIMENSIONS: mm		CHK	OTT PETER	07DEC11		PRODUCT SPEC		-	
		APVD	OTT PETER	07DEC11		APPLICATION SPEC		-	
TOLERANCES UNLESS OTHERWISE SPECIFIED:		MATERIAL		FINISH		SIZE	CAGE CODE	DRAWING NO	RESTRICTED TO
0 PLC ± -		-		-	A300779		C-1517266		-
1 PLC ± -		-		-	CUSTOMER DRAWING		SCALE	SHEET	REV
2 PLC ± 0.20		-		-	-		2:1	1 OF 1	A1
3 PLC ± -		-		-	-				
4 PLC ± -		-		-	-				
ANGLES ± -		-		-	-				