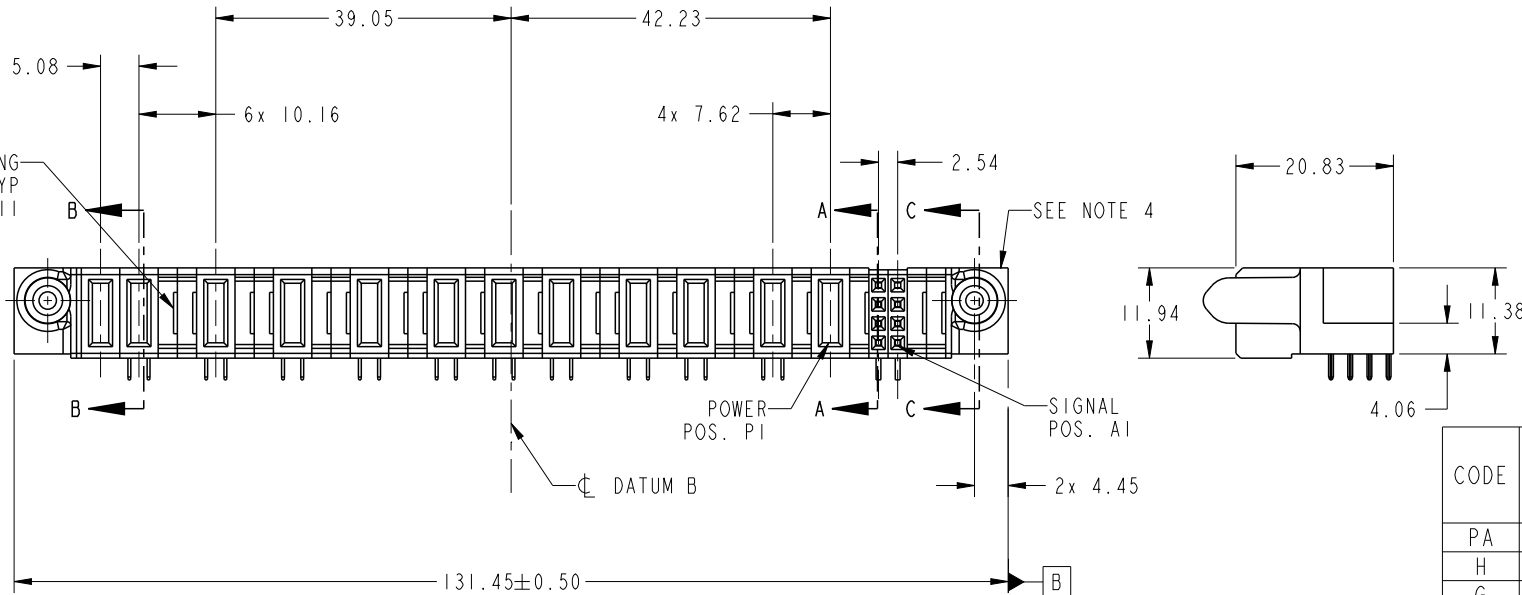


PRODUCT NO. 51915-450-- NOTE 3	ROWS DCBA	POWER														S		E1
		E2	P12	P11	P10	P9	P8	P7	P6	P5	P4	P3	P2	P1	2	1		



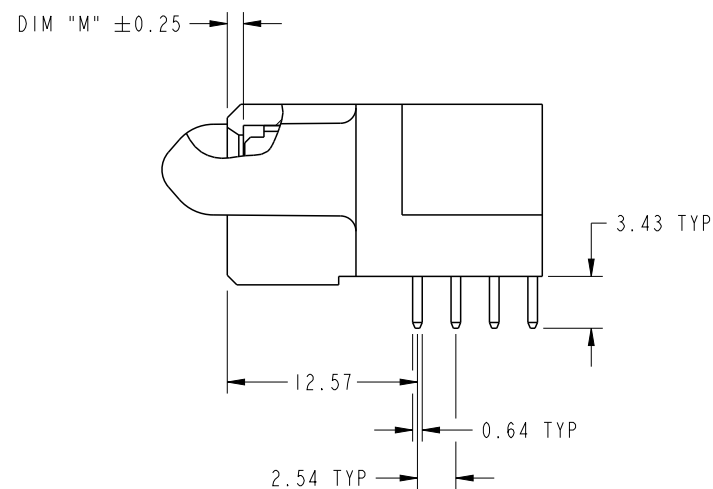
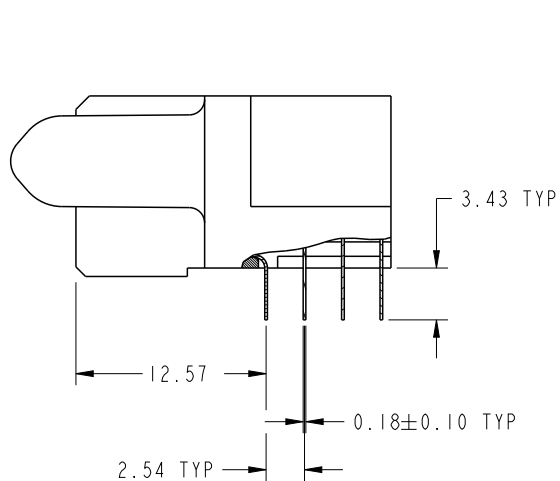
CODE	DIM "M" MATING LENGTH	CONTACT TYPE
PA	[1.07]	POWER
H	[N/A]	SIGNAL
G	[N/A]	SIGNAL
F	[N/A]	SIGNAL
E	[N/A]	SIGNAL
X	[N/A]	OMITTED

spec ref	SEE NOTES		dr	Ruan MT	2014/07/10	projection 	MM ←→	size	A4	scale	1:1
tolerance std	TOLERANCES UNLESS OTHERWISE SPECIFIED		eng	Ruan MT	2014/07/22			ecn no	-		
SEE NOTES			chr	-	-			rel level	Released		
surface	✓	linear	0.X	±0.50	 title 8S + 12P R/A STB RECEPTACLE www.fci.com	product family	PwrBlade		rev 51915-450 A		
		0.XX	±0.25	cat. no.			Product - Customer Drw	sheet 1 of 4			
		0.XXX	±0.10								
	angular	0°	±2°								

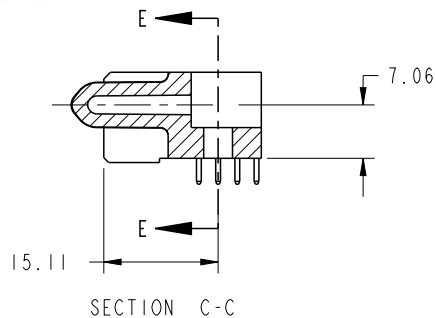
Prod File - REV C - 2009-06-09

PRODUCT NUMBER

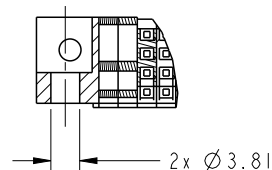
51915-450__
NOTE 3



BROKEN-OUT SECTION A-A
SCALE 2:1

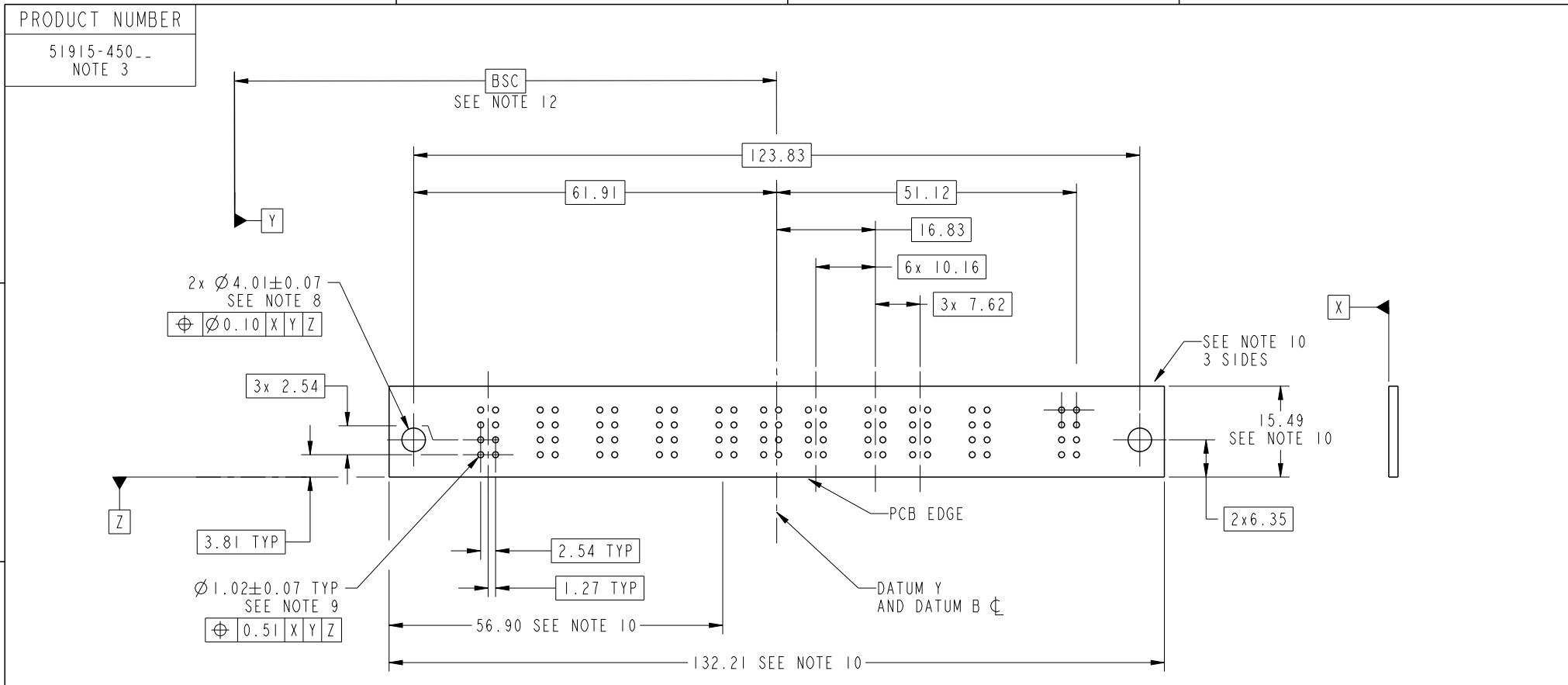


BROKEN-OUT SECTION B-B
SCALE 2:1



PARTIAL SECTION E-E

dr	Ruan MT	2014/07/10	projection 	MM ←→	size	A4	scale	1:1	
eng	Ruan MT	2014/07/22			ecn no	-			
chr	-	-			rel level	Released			
appr	Pei-Ming Zheng	2014/07/22	product family	PwrBlade					
		title	8S + 12P R/A STB RECEPTACLE		dwg no	51915-450		rev	A
www.fci.com		cat. no.	Product - Customer Drw			sheet 2 of 4			



RECOMMENDED PCB LAYOUT



Copyright FCI.

dr	Ruan MT	2014/07/10	projection 	MM 	size	A4	scale	1:1
eng	Ruan MT	2014/07/22			ecn no	-		
chr	-	-			rel level	Released		
appr	Pei-Ming Zheng	2014/07/22	product family	PwrBlade				
		title 8S + 12P R/A STB RECEPTACLE	dwg no 51915-450	rev A				
www.fci.com		cat. no.	Product - Customer Drw		sheet 3 of 4			

PrdE File - REV C - 2009-06-09

PRODUCT NUMBER

51915-450__
NOTE 3

NOTES:

1. DIMENSIONS AND TOLERANCES ARE IN ACCORDANCE WITH ASME Y14.5M, 1994 UNLESS OTHERWISE SPECIFIED.

CONNECTOR NOTES:

- 2. HOUSING MATERIAL: UL 94 V-0 GLASS FILLED HIGH-TEMP THERMOPLASTIC
POWER CONTACT MATERIAL: COPPER ALLOY
SIGNAL PIN MATERIAL: COPPER ALLOY
 - 3. SEE ITEM 1 & 2 IN PRINT 10064183 FOR PLATING SPEC OF 51915-450 AND 51915-450LF RESPECTIVELY.
 - 4. MANUFACTURER'S NAME, DATE CODE AND OPTIONAL P/N TO APPEAR ON THIS SURFACE. THE MARK CAN BE OMITTED IF THERE IS NOT ENOUGH SPACE ON THIS SURFACE.
 - 5. PRODUCT SPECIFICATION GS-12-149.
APPLICATION SPECIFICATION BUS-20-067.
 - 6. PACKAGED IN TRAYS.
- PCB NOTES:
- 7. ALL HOLE DIAMETERS ARE FINISHED HOLE SIZE.
 - 8. MOUNTING HOLES, WHERE APPLICABLE, ARE UNPLATED.
 - 9. $\varnothing 1.151 \pm 0.025$ DRILLED HOLES PLATED WITH
0.008 MIN SnPb OR Sn OVER 0.03
TO 0.08 Cu PLATING TO ACHIEVE
 $\varnothing 1.02 \pm .07$ HOLE.
 - 10. CONNECTOR KEEP-OUT ZONE.
 - 11. THE VOID CORING IN BETWEEN POWER MODULES, SIGNAL MODULES AND END MODULES ARE OPTIONAL AND THE SHAPE MAY BE DIFFERENT FOR OPTIMIZE THE MOLDING PROCESS. THE VOID CORING WILL NOT EFFECT TO PRODUCT FUNCTION.
 - 12. DATUM AND BASIC DIMENSIONS ARE ESTABLISHED BY CUSTOMER.

dr	Ruan MT	2014/07/10	projection 	MM 	size	A4	scale	1:1	
eng	Ruan MT	2014/07/22			ecn no	-			
chr	-	-							
appr	Pei-Ming Zheng	2014/07/22	product family	PwrBlade	rel level	Released			
	title	8S + 12P R/A STB RECEPTACLE			dwg no	51915-450		rev	A
www.fci.com	cat. no.	Product - Customer Drw			sheet 4 of 4				



Copyright FCI.