

SIGN	DATE	DESCRIPTION	APPROVER
△	11/09'13	change the electrical specification /// update the drawing	Da cheng
△			
△			

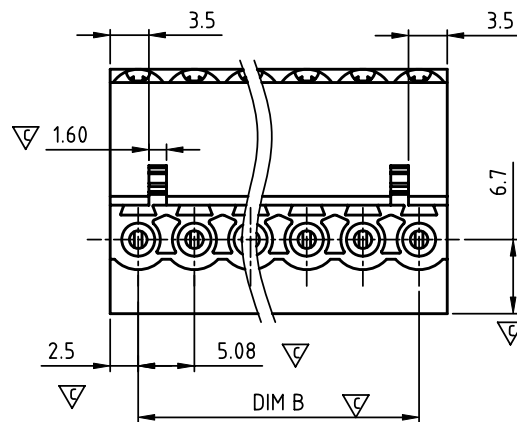
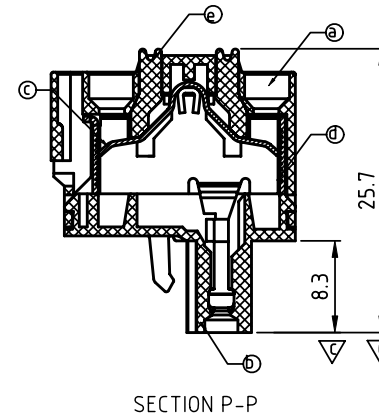
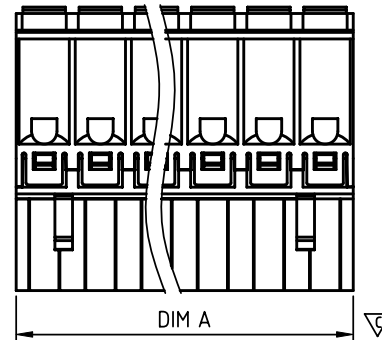
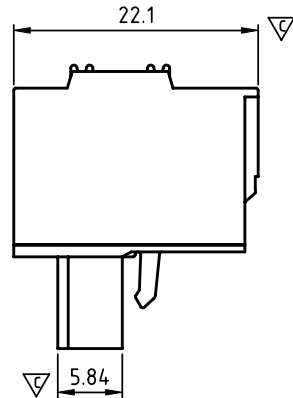
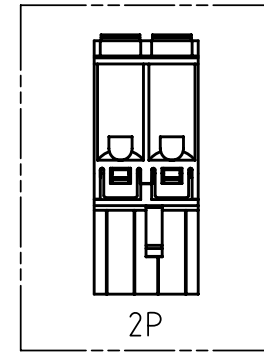
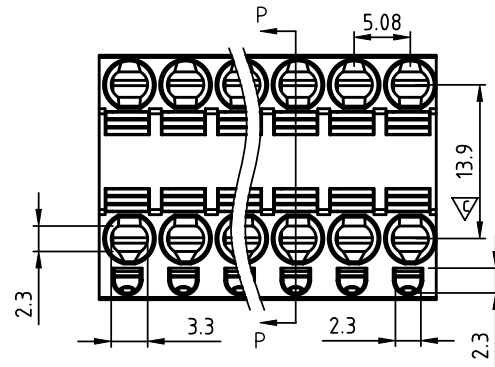
THIS IS CAD DRAWING, DO NOT REVISE MANUALLY!!!

Material

- Item a Terminal up body:Thermoplastic (UL94V-0)
- Item b Terminal down body:Thermoplastic (UL94V-0)
- Item c Wire guard:Stainless Steel
- Item d Female contact: PhBz (CuSn) Tin plated
- Item e Lever:Thermoplastic (UL94V-0) Orange(RAL2011/P)

Electrical cULus

- Voltage rating: 300VAC
- △● Current rating: 8A
- Solid wire: 12-26 AWG
- Stranded wire: 12-26AWG
- Wire strip length: 11-12mm
- Withstanding Voltage: 1.6KV
- Operating temperature: -40°C to +115°C
- △● Safety Approval:
- Critical dimension:



NF xx 5 0 x 0 xxx G

RoHS compliant (lead<4%)
In copper Alloy
0000: "@ " Logo (Standard)
000A: "ANYTEK" Mark
Any special item by customer request. please contact sales department.

No. OF POLES
02 2 POLES
03 3 POLES
...
24 24 POLES

△ Body Color
0 Black (RAL9005)
2 Red (RAL3001/D)
3 Orange(RAL2011/P)
4 Yellow(RAL1018/A)
5 Green(RAL6018/T)
6 Blue (RAL5015/A)
8 Grey(RAL7035/D)
9 White(RAL1102)
C Green(RAL6018/U)

N = Number of poles
Dim A=Nx5.08
Dim B=(N-1)x5.08

Poles	Dim A&B
2P-4P	±0.15
5P-8P	±0.20
9P-12P	±0.25
13P-15P	±0.30
16P-18P	±0.35
19P-24P	±0.40

ANYTEK

CUSTOMER COPY

ALL RIGHTS RESERVED. REPRODUCTION OR ISSUE TO THRD PARTIES IN ANY FORM WHATSOEVER IS NOT PERMITTED WITHOUT WRITTEN AUTHORITY FROM THE PROPRIETOR. PROPERTY OF ANYTEK TECHNOLOGY CO., LTD

TITLE		NF 5.08 Series W/O Flange type			
PART NO.	NFxx50x0xxxxG	DWG NO.	8NF0001		
APPROVED	CHECKED	DESIGNED	DRAWN	CUST NO.	Tolerance
		Da cheng 2013.11.16	Da cheng 2013.11.16		X ±0.50 X.X ±0.30 X.XX ±0.10 X° ±1°
				UNIT: mm	
				SCALE: NONE	
				REV.: C	
SHEET: 01/01					