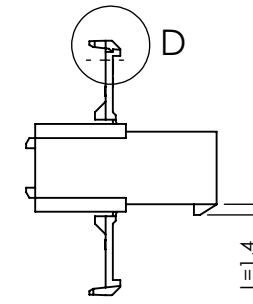
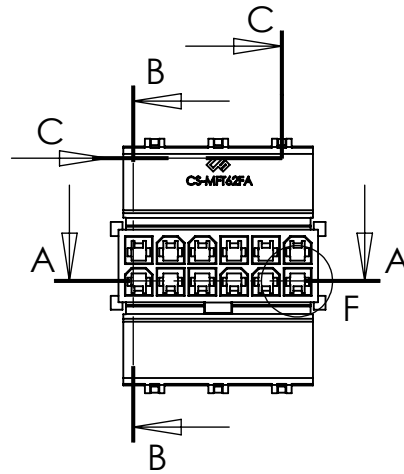
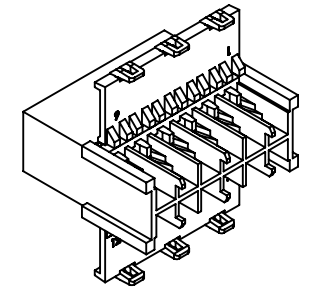
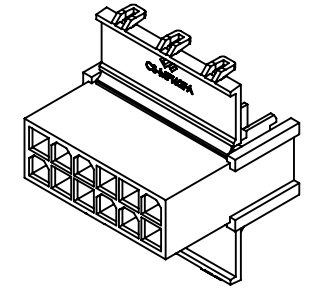


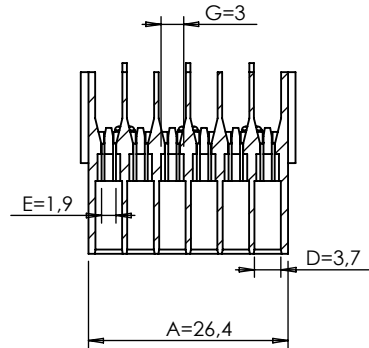
SEZIONE B-B



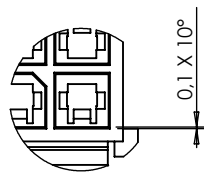
SEZIONE C-C



DETTAGLIO D scala 3:1



SEZIONE A-A

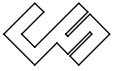


DETTAGLIO F
SCALA 2 : 1

DIMENSIONS WITHOUT TOLERANCES

A	0 - 6	±0.1
	6 - 30	±0.2
	> 30	±0.3

CS-MFT62F	PA66 UL94 V-2
CS-MFT62FV0	PA6/66 UL94 V-0
CS-MFT62F STY	PA46 UL94 V-2
CS-MFT62F V0750NF	PA66 UL94 V-0 GWIT 775
CS-MFT62F-G	PA6 UL94 V-2 GWIT 775
PART NUMBER	MATERIAL

INDEX	MODIFICATION	DATE
 <p>CS S.r.l. 20063 CERNUSCO S/N - VIA COMO, 11 TEL +39.02.9210.7404 - FAX +39.02.9210.0217 http://www.csconnectors.com - e-mail: info@csconnectors.com</p>		
CHECKED BY Stefano Galimberti	DATE 30-01-2014	DESIGN UNITS METRIC
DRAWN BY Stefano Querzoli	DATE 30-01-2014	WEIGHT
CAD REFER Y:\dis\cs\mft\mftxxf\mftxxf sek lock\tavole\	SIZE A4	SCALE 1:1
INDEX 0 30-01-2014		
BASE CODE CS-MFT62F	DESCRIPTION Mft female connector for panel, 6x2 poles	