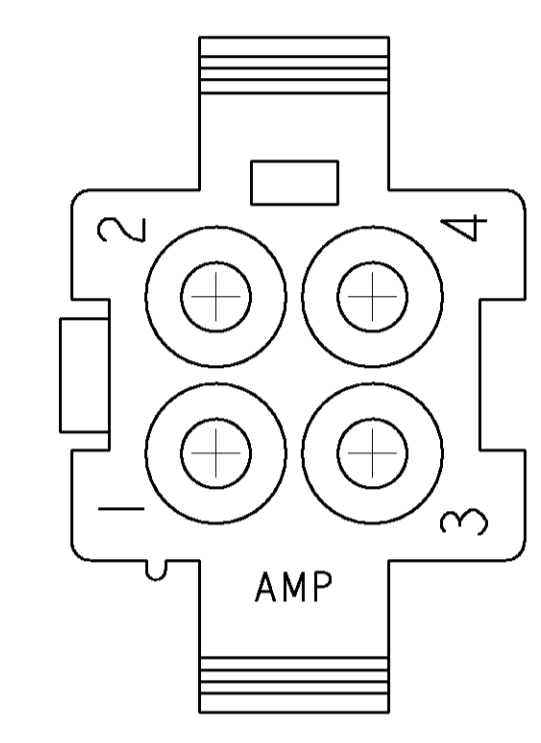
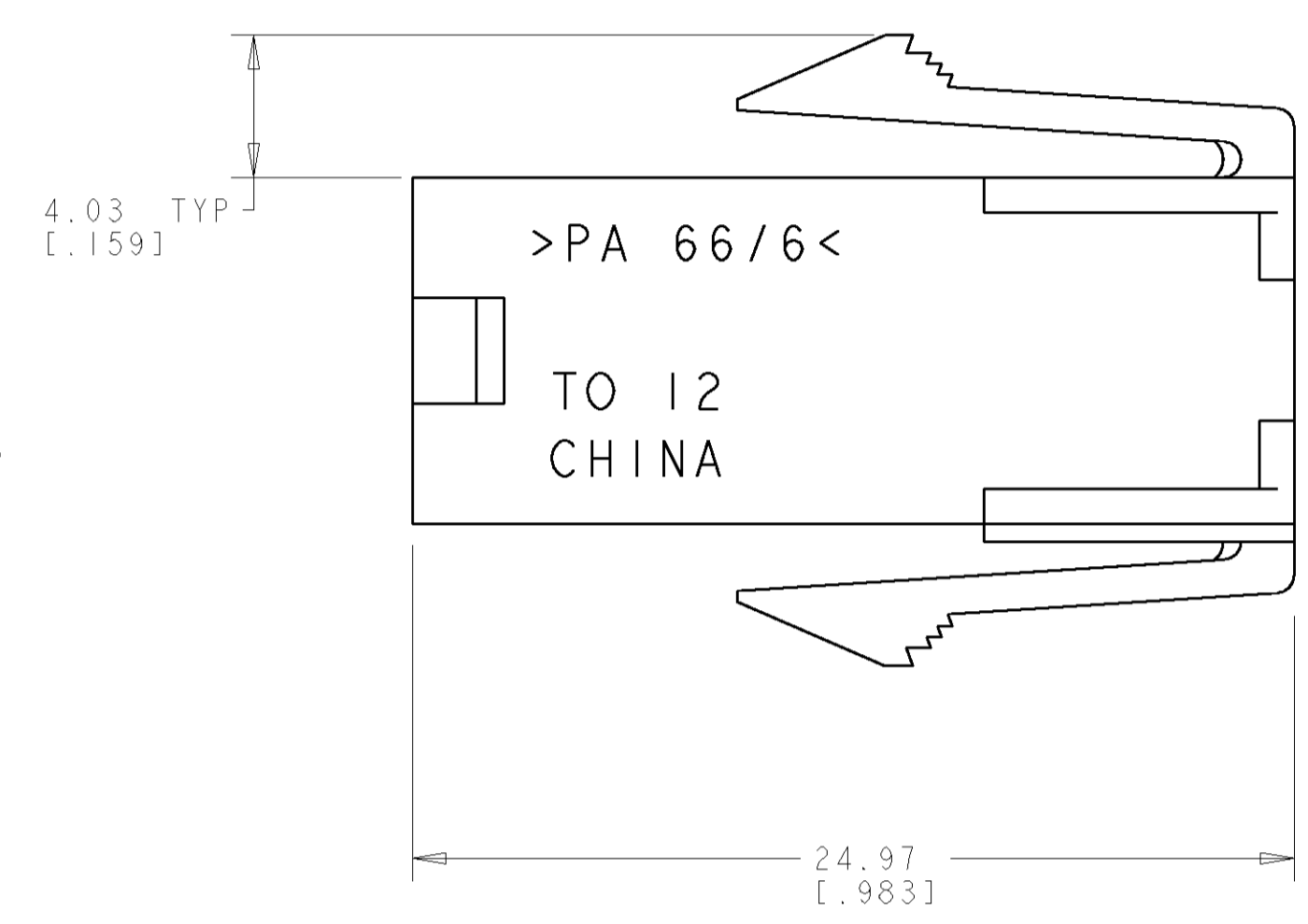
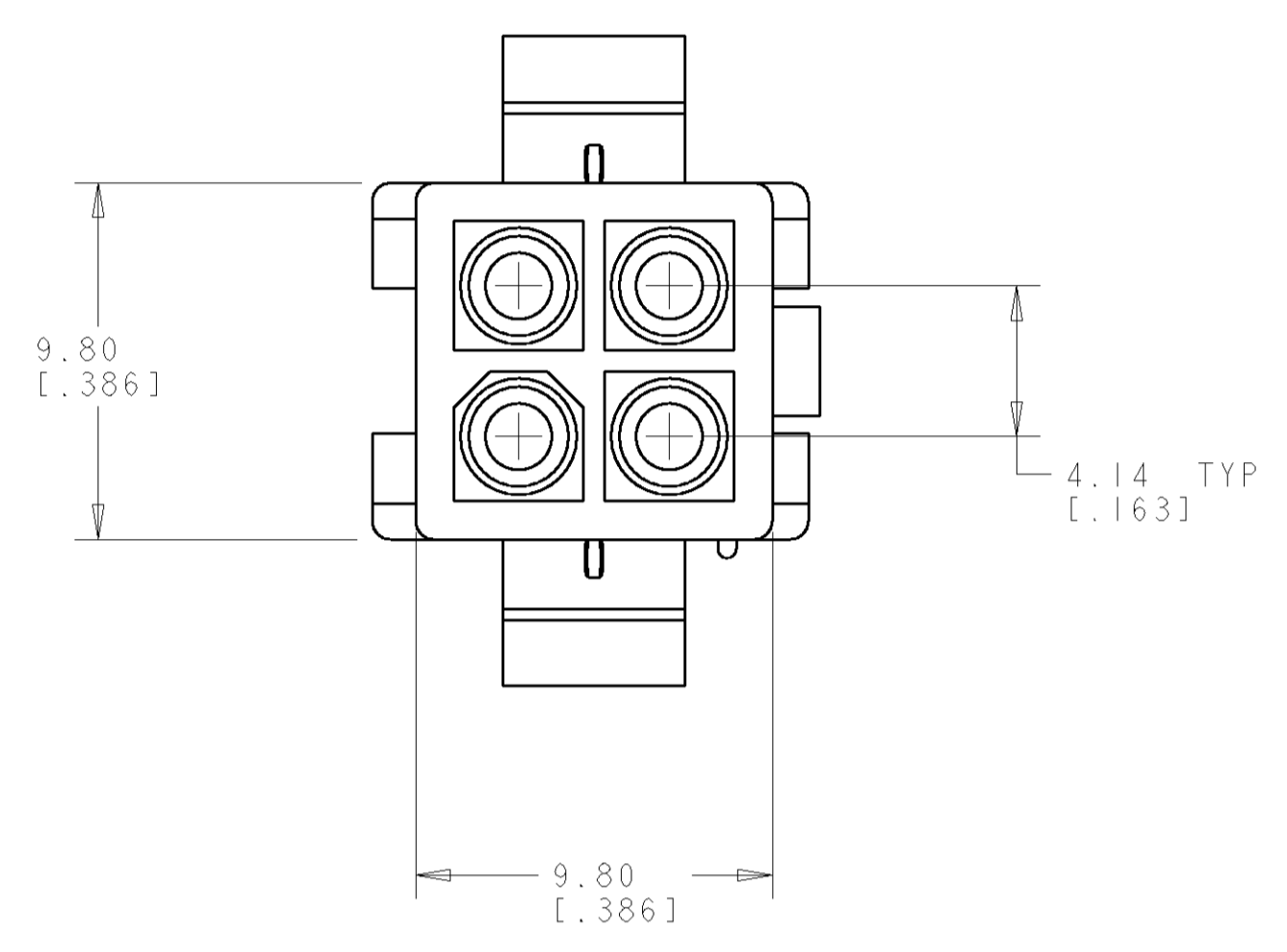
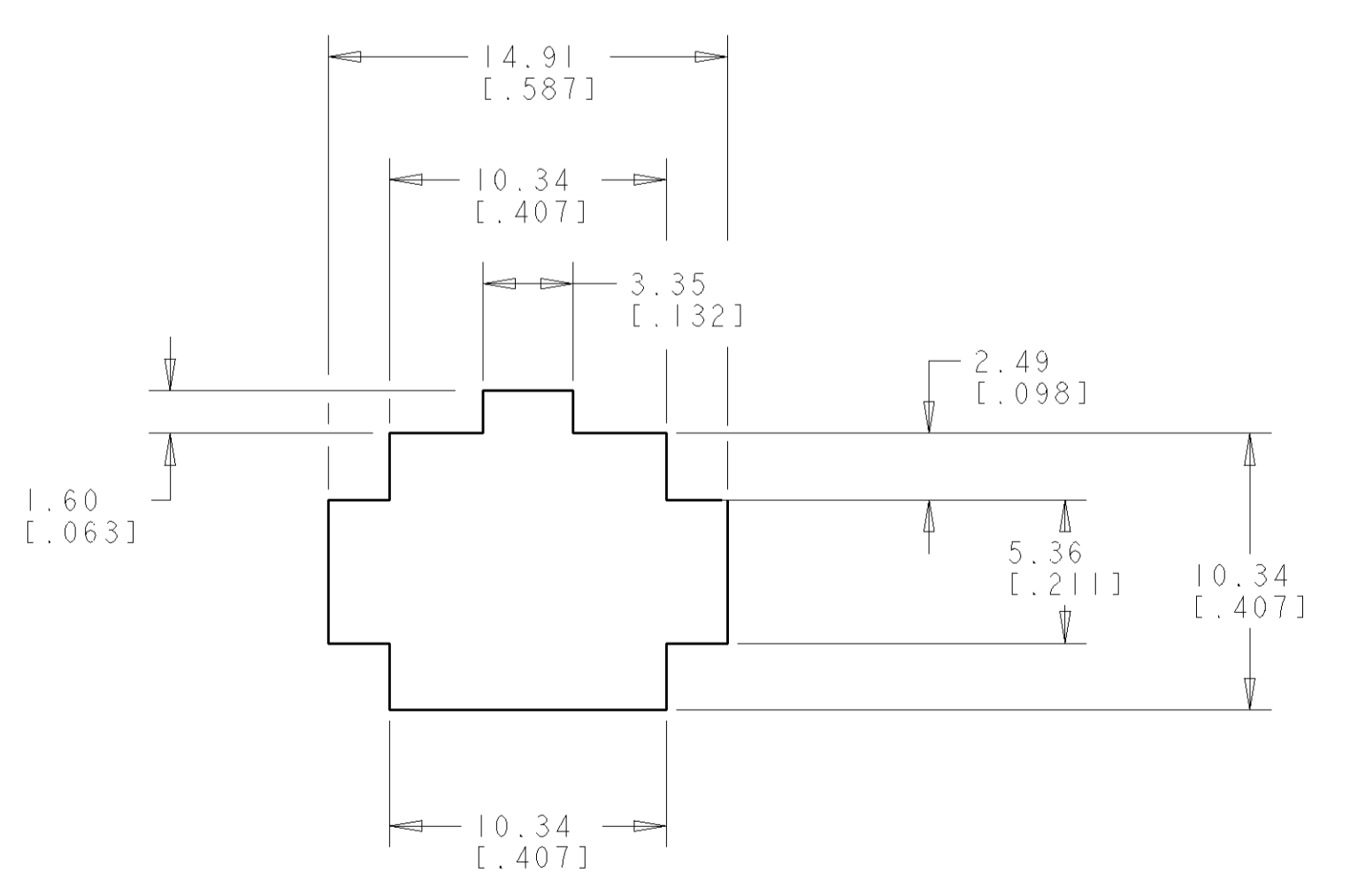
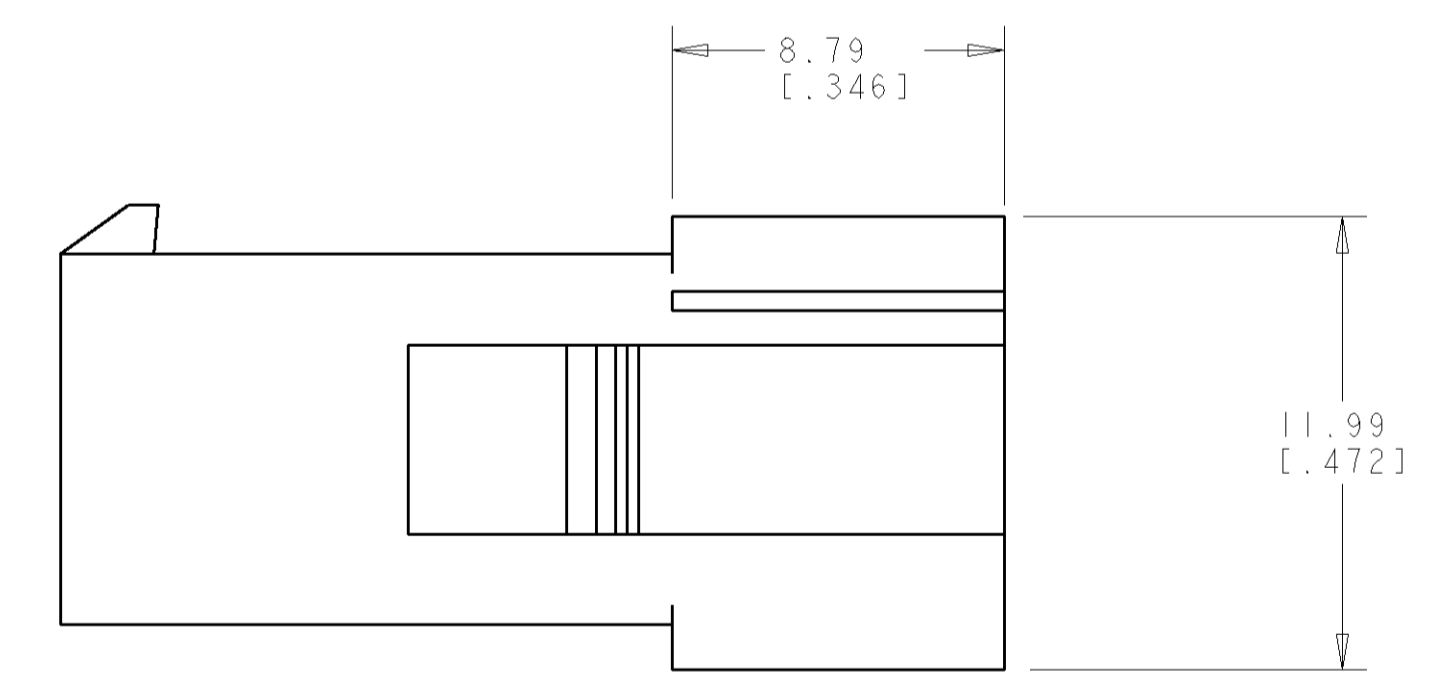


LOC	DIST	REVISIONS			
P	LTR	DESCRIPTION	DATE	DRN	APVD
A1		REVISED PER ECO-11-005294	30APR11	RK	HMR

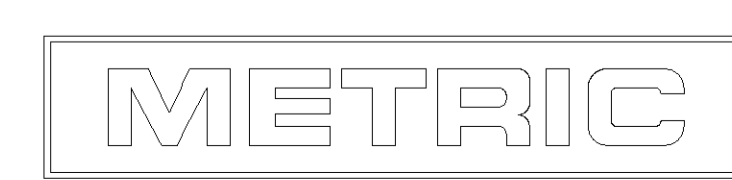


1. APPLICABLE CONTACT P/N: 170539, 170360, 170361, 170362.
2. DIMENSIONS IN BRACKETS ARE IN INCHES.
3. RECOMMENDED PANEL THICKNESS TO BE 0.8-2.0 [.031-.079].
4. HOUSING INSERTION INTO THE PANEL CUT OUT MUST BE IN THE SAME DIRECTION AS THE PUNCH.



RECOMMENDED PANEL CUT OUT
 SCALE 4:1

794939-1
 PART NUMBER



DIMENSIONS: mm [INCHES]		TOLERANCES UNLESS OTHERWISE SPECIFIED: 0 PLC ± 1 PLC ± 2 PLC ±0.13 [.005] 3 PLC ± 4 PLC ± ANGLES ±40° 30'		DRN 23-JULY-2001 B. WHITAKER CHK 23-JULY-2001 C. JONES APVD 23-JULY-2001 C. JONES		NAME CAP. 4 CIRCUIT, SEALED APPLICATION, MINI UNIVERSAL MATE-N-LOK™		SIZE CAGE CODE DRAWING NO. RESTRICTED TO A1 00779 C-794939	
MATERIAL NYLON, UL94V-0 NATURAL		FINISH -		WEIGHT -		CUSTOMER DRAWING		SCALE 5:1 SHEET 1 OF 1 REV A1	

