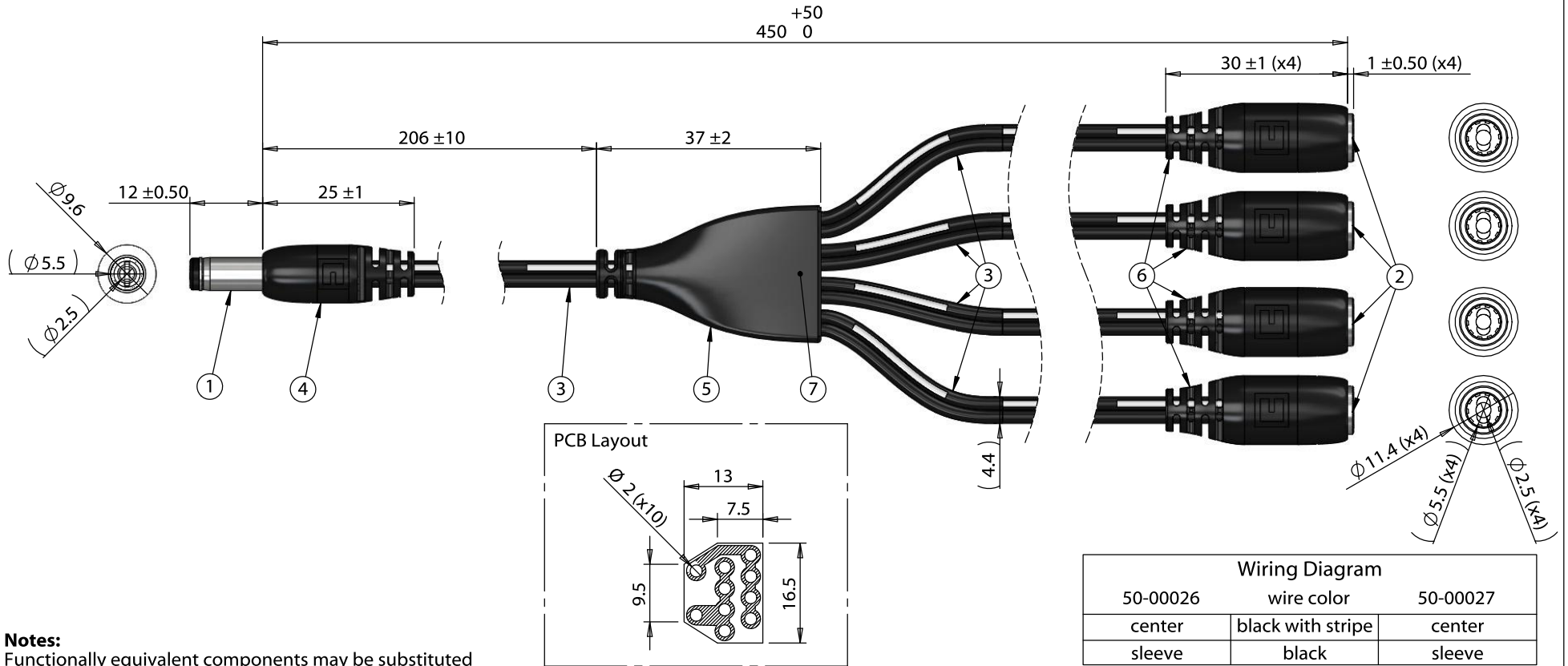


ITEM NO.	PART NUMBER	DESCRIPTION	QTY.	COMPONENT NOTES
1	50-00026	Connector, dc plug, 5.5x2.5xL23 mm, molding style, spring contacts	1	
2	50-00027	Connector, dc jack, 5.5x2.5xL17.4 mm, molding style	4	
3	30-00007	Wire, 2C BC, 18 AWG, UL2468, 300V, 80C, 4.4 mm, VW-1, PVC, 87A	5	
4	24-00003	Overmold, PVC	1	black
5	24-00219	Overmold, splitter, Ø 8.0 mm by 10.0x22.6 mm	1	black
6	24-00004	Overmold, PVC	4	black
7	PCB	Splitter PCB, FR4, two-layer, tin, 13.0x16.5x1.6 mm	1	



Notes:
Functionally equivalent components may be substituted

Revision:	Date:	Description:	Prepared:	Notes:	<h1>TENSILITY</h1>
A	4/12/2018	Initial release	JP		
			Verified:	RoHS compliant	tel 1.541.323.3228 800 877.670.7118
			RS	Function test: no open, no short circuit, no intermittent	fax 1.541.323.4202 web tensility.com
			Dimensions are in millimeters.	Description:	Size: Part number:
			Tolerances:	Cable, 450 mm, 5.5x2.5x12 mm 50-00026 dc plug to y-split to 4x 5.5x2.5 mm 50-00027 dc jack, 18 AWG	A 10-02730
			X: ± 0.5 mm		Scale: 1:1
			X.X: ± 0.3 mm		Sheet 1 of 1
			X.XX: ± 0.05 mm		

5

4

3

2

1

To see a custom version of this cable assembly, call Tensility at 541-323-3228 or email engineering@tensility.com