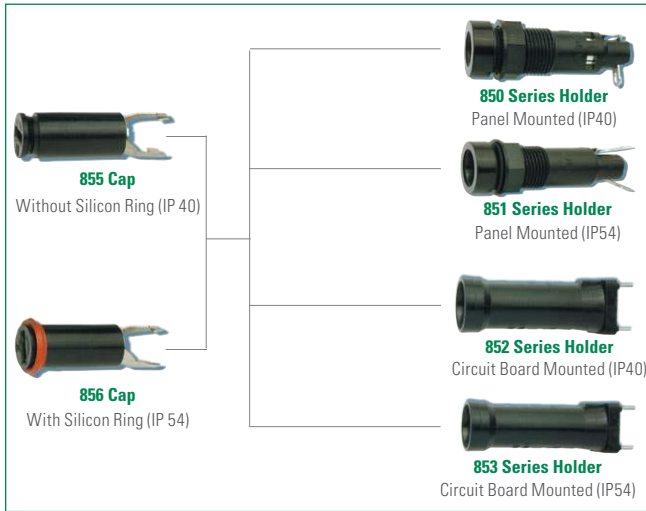


### 850/851/852/853 Series Enclosed Fuse Holders for 5x20mm Fuses



#### Agency Approval

Agency	Part Number			
	850	851	852	853
	Agency File Number			
	400345355		40033885	
	E70164			

#### Additional Information



**Datasheet**  
850 Series



**Resources**  
850 Series



**Samples**  
850 Series



**Datasheet**  
851 Series



**Resources**  
851 Series



**Samples**  
851 Series



**Datasheet**  
852 Series



**Resources**  
852 Series



**Samples**  
852 Series



**Datasheet**  
853 Series



**Resources**  
853 Series



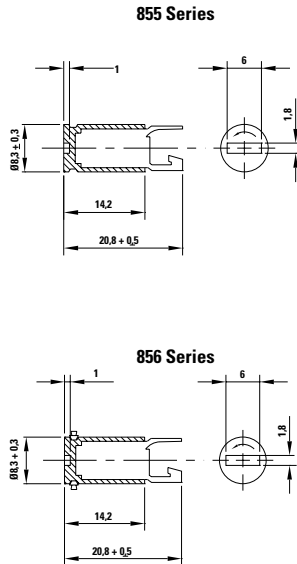
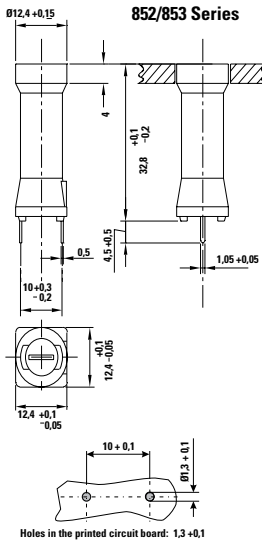
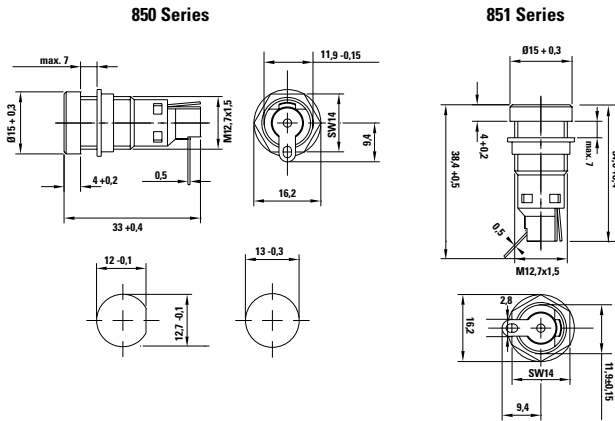
**Samples**  
853 Series

#### Product Characteristics

	850/851 Series	852/853 Series
<b>Compatible Fuse</b>	5x20mm	
<b>Materials</b>	<b>Holder:</b> Black Thermoplastic	
	<b>Cap:</b> Black Thermoplastic Both UL94V0	
	<b>Sealing Ring:</b> Silicon (Cap 856)	
	<b>Metal Parts:</b> Copper alloy, corrosion protected	
<b>Electrical Data (23°C)</b>	<b>Terminals:</b> Solderable tinned	
	<b>Rated Voltage:</b> 250V	
	<b>Rated Current:</b> 10A (UL and VDE)	<b>Rated Current:</b> 6.3A (VDE) 12A (UL)
	<b>Rated Power:</b> 3.2W (VDE)	<b>Rated Power:</b> 2W (VDE)
<b>Mounting</b>	12.7mm diameter D-hole or 13mm round hole Admissible torque on plastic hex nut is 1.2Nm	(2) Solder pins 0.5mm×1.1mm
	<b>Terminals</b>	Solderable only, 4mm×0.5mm (850) Solderable or 2.8mm quick connect - fits 0.5mm tab (851)
<b>Protection Class &amp; Category</b>	IP 40 (with Cap 855 acc. to IEC 60529) IP 54 (with Cap 856 acc. to IEC 60529) PC2 (IEC 60127-6)	
<b>Operating Temp.</b>	-40°C to +85°C	
<b>Climatic Test</b>	-40°C/+85°C/21 days (IEC 60068-2-1...3)	
<b>Stock Conditions</b>	0°C to 60°C, Max 70% R.H.	
<b>Contact Resistance</b>	≤ 5mΩ at 20mV	
<b>Impulse Voltage</b>	4 kV, 50Hz, 1 min., dry	
<b>Insulation Resistance</b>	> 10 <sup>3</sup> MΩ (500VDC, 1 min.)	
<b>Solderability</b>	350°C/2 sec. acc to IEC 60068-2-20, Test Ta, method 2	235°C/2 sec. acc to IEC 60068-2-20, Test Tb, method 1
<b>Soldering Heat Resistance</b>	350°C/10 sec. acc to IEC 60068-2-20, Test Tb, method 2	260°C/10 sec. acc to IEC 60068-2-20, Test Tb, method 1A
<b>Minimum Cross Section</b>	Conductor - 1.5mm <sup>2</sup>	Conducting path - 0.2mm <sup>2</sup>
<b>Marking</b>	Part No., 250V, Approvals	
<b>Unit Weight</b>	4.1g (850) / 1.8g (855) 4.2g (851) / 1.9g (856)	3.2g (852) / 1.8g (855) 3.2g (853) / 1.9g (856)

**Note:** Refer to [Fuseology](#) for information on proper fuseholder re-rating.

### Dimensions



### Ordering Information

Description	Ordering Number	Packaging
Cap, w/out ring (IP40)	85500001009	Bulk 100
Cap, w/silicon ring (IP54)	85600001009	Bulk 100
850 Series Holder (IP40)	85000001009	Bulk 100
851 Series Holder (IP54)	85100001009	Bulk 100
852 Series Holder (IP40)	85200001009	Bulk 100
853 Series Holder (IP54)	85300001009	Bulk 100