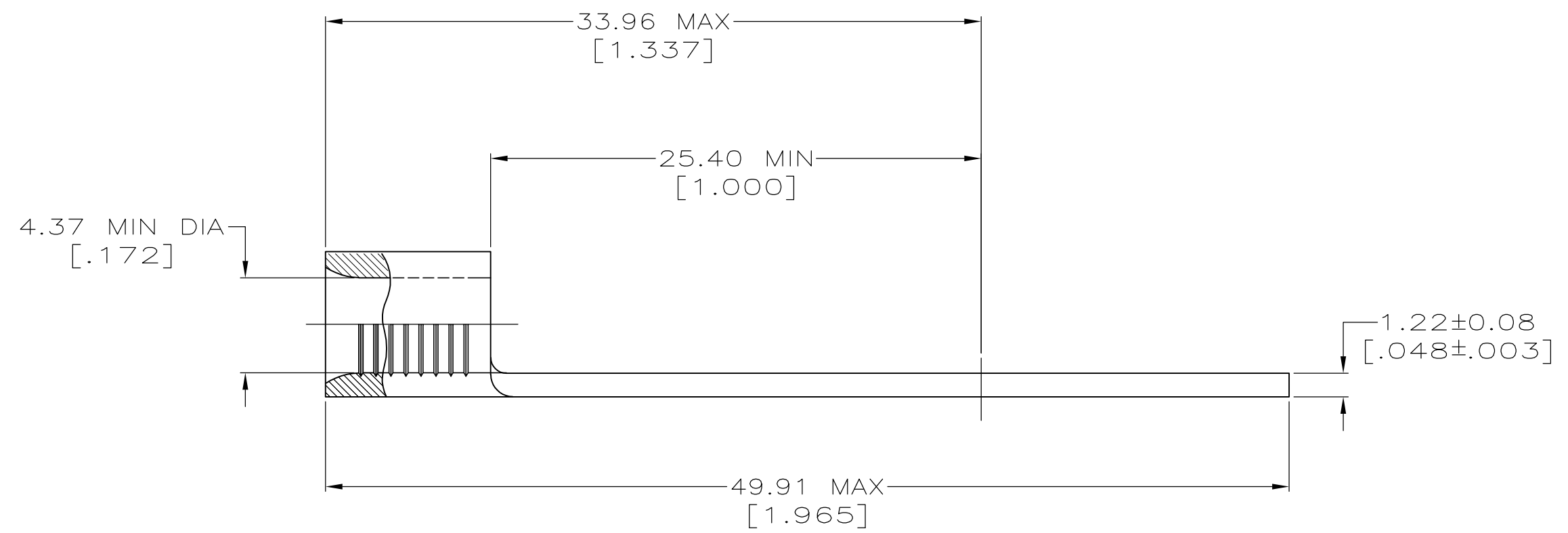
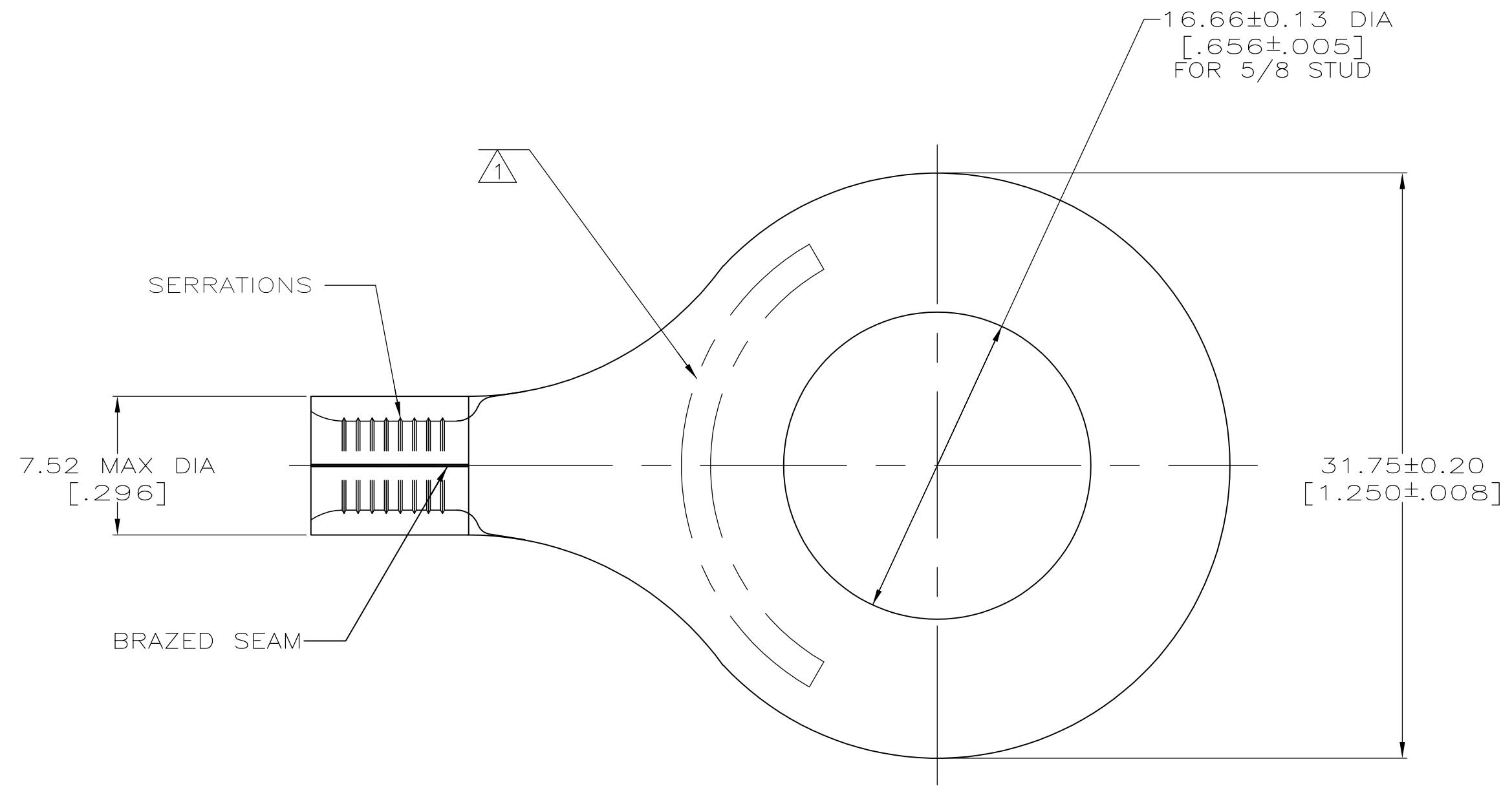


LOC	DIST	REVISIONS			DAP		
P	LTR	DESCRIPTION	DATE	DWN	APVD		
G	14	D2	REVISED PER ECO-11-005027	11MAR11	RK	HMR	



AMP WIRE RANGE	Listed FILE E13288	LR7189 Certified
8 AWG SOLID OR STRANDED	8 AWG STRANDED	8 AWG SOLID OR STRANDED

- STAMP AMP 8* APPROX AS SHOWN
- COPPER PER ASTM B-152, ANNEALED
- TIN PLATE 0.00254 [.000100] MIN THK PER ASTM B-545

35665
PART NO.

MAX RECOMMENDED OPERATING TEMPERATURE: 170°C	THIS DRAWING IS A CONTROLLED DOCUMENT.		DWN TA BRINKMAN 3-24-93	TE Connectivity
	VOLTAGE RATING: N/A	DIMENSIONS: mm[INCHES]	CHK DA PATTERSON 3-24-93	
CIRCULAR MIL AREA: 6.64-10.5mm²[13,100-20,800] SOLID OR STRANDED		TOLERANCES UNLESS OTHERWISE SPECIFIED: 0 PLC ± - 1 PLC ± - 2 PLC ± - 3 PLC ± - 4 PLC ± - ANGLES ± ± -	APVD JL MECKLEY 3-24-93	NAME TERMINAL, RING TONGUE, SOLISTRAND
			MATERIAL 	FINISH
			SIZE A2	CAGE CODE 00779
			DRAWING NO G-35665	RESTRICTED TO -
			CUSTOMER DRAWING	
			SCALE 4:1	SHEET 1 OF 1
			REV D2	