

# OPTIREG™ PMIC TLF35584QVHSx

## Functional Safety PMIC



RoHS



ISO 26262  
compliant

## Features

- High efficient power management integrated circuit (PMIC)
- Serial step up and step down pre regulator for wide input voltage range from 3.0 V to 40 V with full performance and low over all power loss
- Low drop post regulator 5.0 V/200 mA for communication supply (QCO)
- Low drop post regulator 5.0 V/600 mA (TLF35584QVHS1) or 3.3 V/600 mA (TLF35584QVHS2) for  $\mu$ C supply (QUC)
- Voltage reference 5.0 V  $\pm$ 1% for ADC supply, 150 mA current capability (QVR)
- Two trackers for sensor supply following voltage reference 150 mA current capability each (QT1 and QT2)
- Standby regulator 5.0 V/10 mA (TLF35584QVHS1) or 3.3 V/10 mA (TLF35584QVHS2) (QST)
- Provides enable, sync out signal and voltage monitoring for an optional external post regulator for core supply
- Independent voltage monitoring block and error pin monitoring
- Configurable window and functional watchdog
- 16-bit SPI, interrupt and reset function
- Safe State Control with two safe state signals with programmable delay
- Grade 0 supporting junction temperature up to 175°C
- PRO-SIL™ Features:
  - ISO 26262 compliant supporting up to ASIL-D
  - Safety Documentation (Safety Manual & Safety Analysis Summary Report)
- Green Product (RoHS compliant)



## Potential applications

- Electric Power Steering
- Battery Management
- Transmission
- Engine Management
- Domain Control

## Product validation

Qualified for automotive applications with higher temperature requirements.  
Product validation according to AEC-Q100.

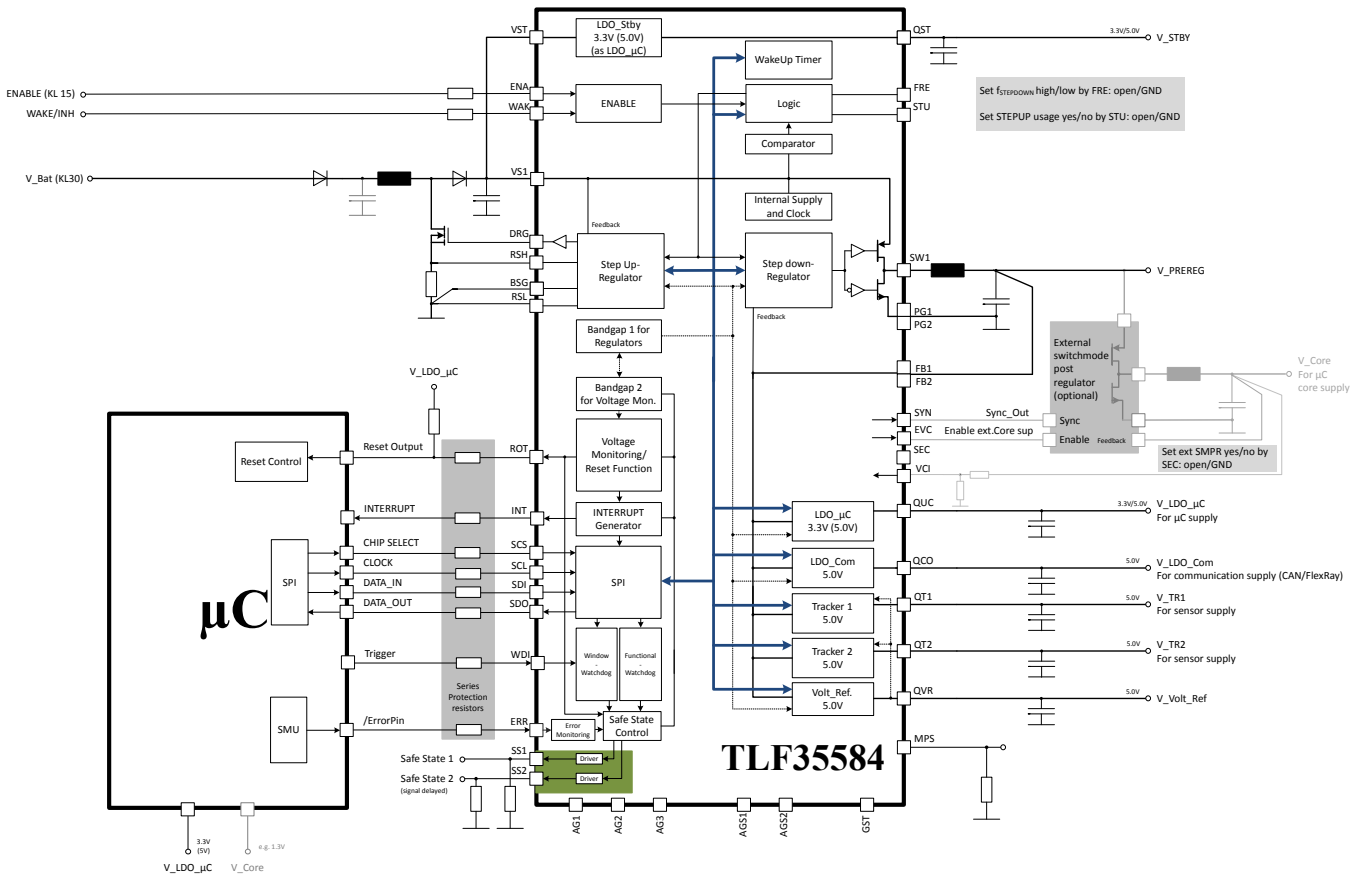
**Description**

**Description**

The OPTIREG™ PMIC TLF35584QVHSx is a high efficient Functional Safety PMIC (Power Management Integrated Circuit).

Type	Package
TLF35584QVHS1 (5.0 V Variant)	PG-VQFN-48
TLF35584QVHS2 (3.3 V Variant)	PG-VQFN-48

**Application Example**



*Note: The following information is given as an example for the implementation of the device only and shall not be regarded as a description or warranty of a certain functionality, condition or quality of the device.*

- Please contact us for additional supportive documentation.
- For further information you may contact <http://www.infineon.com/OPTIREG-PMIC>

*Note: This figure is a very simplified example on an application circuit. The function must be verified in the real application.*

**1 Absolute maximum ratings**

**1 Absolute maximum ratings**

**Table 1 Absolute maximum ratings<sup>1)</sup>**

$T_j = -40^\circ\text{C}$  to  $175^\circ\text{C}$ , all voltages with respect to ground, positive current flowing into pin (unless otherwise specified)

Parameter	Symbol	Values			Unit	Note or condition
		Min.	Typ.	Max.		
<b>Voltages</b>						
Boost driver ground	$V_{BSG}$	-0.3	–	0.3	V	–
Input standby LDO	$V_{VST}$	-0.3	–	40	V	2)3)
Input voltage pin 1 (pre regulator)	$V_{VS1}$	-0.3	–	40	V	–
External step up power stage, gate	$V_{DRG}$	-0.3	–	40	V	–
External power stage, sense resistor high	$V_{RSH}$	-0.3	–	40	V	–
External power stage, sense resistor low	$V_{RSL}$	-0.3	–	6.0	V	–
Enable input	$V_{ENA}$	-0.3	–	40	V	–
Enable input	$I_{ENA}$	-5	–	–	mA	4)
Wake input	$V_{WAK}$	-0.3	–	40	V	–
Wake input	$I_{WAK}$	-5	–	–	mA	–
Reset output	$V_{ROT}$	-0.3	–	6.0	V	–
SPI chip select input	$V_{SCS}$	-0.3	–	6.0	V	–
SPI clock input	$V_{SCL}$	-0.3	–	6.0	V	–
SPI data in (MOSI) input	$V_{SDI}$	-0.3	–	6.0	V	–
SPI data out (MISO output)	$V_{SDO}$	-0.3	–	6.0	V	–
Interrupt output	$V_{INT}$	-0.3	–	6.0	V	–
Window watchdog trigger input	$V_{WDI}$	-0.3	–	6.0	V	–
Error pin input	$V_{ERR}$	-0.3	–	6.0	V	–
Safe state 1 output	$V_{SS1}$	-0.3	–	6.0	V	–
Safe state 2 output	$V_{SS2}$	-0.3	–	6.0	V	–
Output voltage reference LDO	$V_{QVR}$	-0.3	–	6.0	V	–
Output tracker 2	$V_{QT2}$	-1.0	–	40	V	–
Output tracker 1	$V_{QT1}$	-1.0	–	40	V	–

**(table continues...)**

<sup>1</sup> Not subject to production test, specified by design.

<sup>2</sup> Maximum rating is 60 V, if rise time from 0 to 60 V is longer than 10 ms

<sup>3</sup> Maximum rating is 49 V, for an overall time of 10 s (in the range of 40 V to 49 V) during the lifetime of the product independent from the rise time.

<sup>4</sup> Consider external series resistor for negative voltages < -0.3 V to ensure maximum rating of current

## 1 Absolute maximum ratings

**Table 1 (continued) Absolute maximum ratings<sup>1)</sup>**

$T_j = -40^\circ\text{C}$  to  $175^\circ\text{C}$ , all voltages with respect to ground, positive current flowing into pin (unless otherwise specified)

Parameter	Symbol	Values			Unit	Note or condition
		Min.	Typ.	Max.		
Output communication LDO	$V_{QCO}$	-0.3	–	6.0	V	–
Output microcontroller LDO	$V_{QUC}$	-0.3	–	6.0	V	–
External core voltage monitor input	$V_{VCI}$	-0.3	–	6.0	V	–
HW config: ext. core voltage monitor	$V_{SEC}$	-0.3	–	6.0	V	–
Synchronization output	$V_{SYN}$	-0.3	–	6.0	V	–
Enable output for ext. core supply	$V_{EVC}$	-0.3	–	6.0	V	–
Step down feedback input 2	$V_{FB2}$	-0.3	–	7.0	V	–
Step down feedback input 1	$V_{FB1}$	-0.3	–	7.0	V	–
Step down power ground 2	$V_{PG2}$	-0.3	–	0.3	V	–
Step down power ground 1	$V_{PG1}$	-0.3	–	0.3	V	–
Step down switching node 1	$V_{SW1}$	-0.3	–	40	V	–
HW config: step up pre regulator	$V_{STU}$	-0.3	–	6.0	V	–
HW config: step down frequency	$V_{FRE}$	-0.3	–	6.0	V	–
Output standby LDO	$V_{QST}$	-0.3	–	6.0	V	–
Input MPS	$V_{MPS}$	-0.3	–	6.0	V	–

### Temperatures

Junction temperature	$T_j$	-40	–	175	$^\circ\text{C}$	–
Storage temperature	$T_{stg}$	-55	–	175	$^\circ\text{C}$	–

### ESD susceptibility

ESD susceptibility to GND	$V_{ESD}$	-2	–	2	kV	HBM <sup>5)</sup>
ESD susceptibility to GND	$V_{ESD}$	-500	–	500	V	CDM <sup>6)</sup>
ESD susceptibility (corner pins) to GND	$V_{ESD,Corner}$	-750	–	750	V	CDM

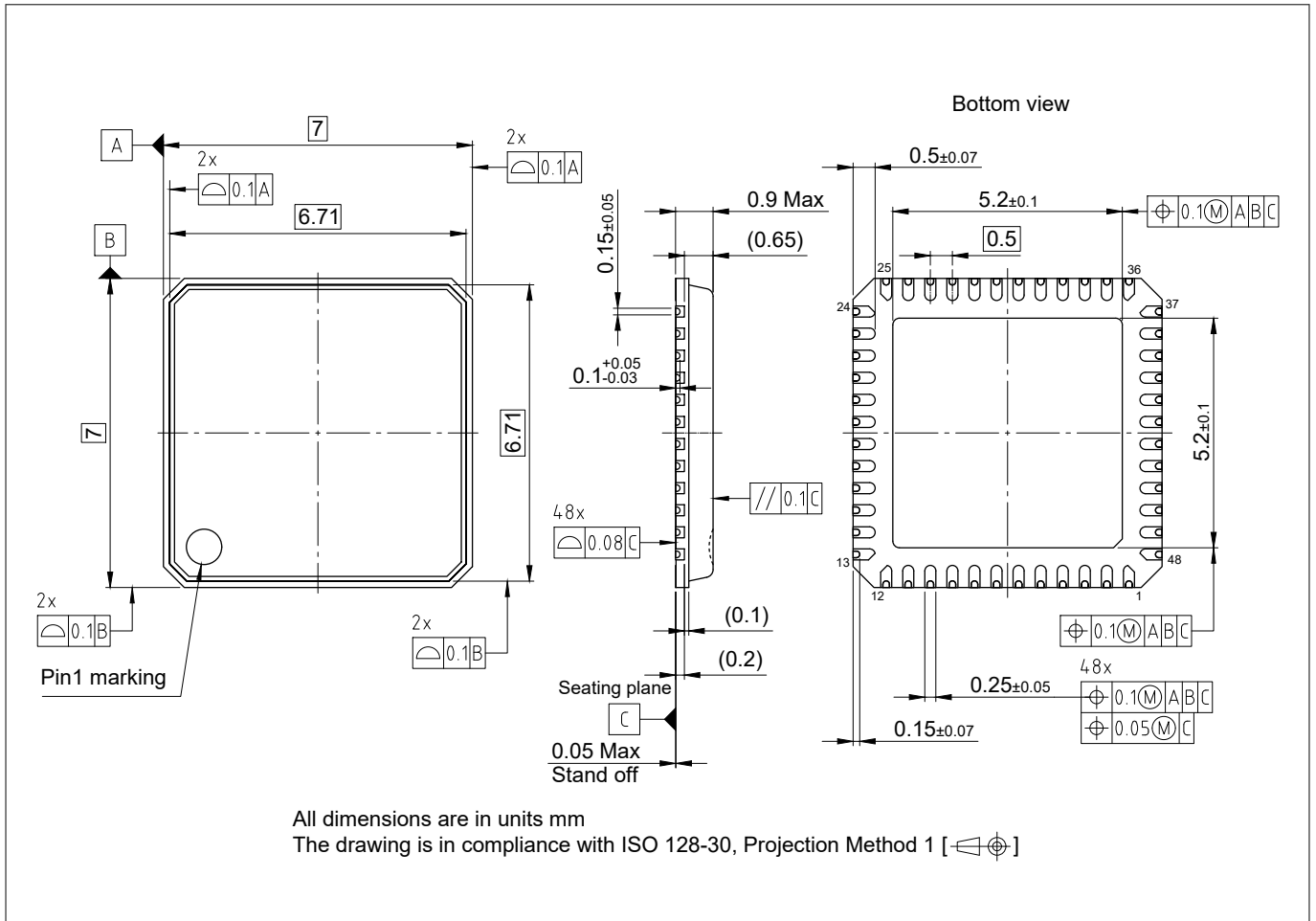
<sup>1)</sup> Not subject to production test, specified by design.

<sup>5)</sup> ESD susceptibility, HBM according to JEDEC HBM Human Body Model ANSI/ESDA/JEDEC JS001 (1.5 k $\Omega$ , 100 pF)

<sup>6)</sup> ESD susceptibility, Charged Device Model “CDM” ESDA STM5.3.1 or ANSI/ESD S.5.3.1

**2 Package information**

**2 Package information**



**Figure 1 PG-VQFN-48 package outline<sup>7)</sup>**

**Add this text below the package outline drawing: Green Product (RoHS compliant)**

To meet the world-wide customer requirements for environmentally friendly products and to be compliant with government regulations the device is available as a Green Product. Green Products are RoHS compliant (Pb-free finish on leads and suitable for Pb-free soldering according to IPC/JEDEC J-STD-020).

**Add this text at the bottom of the package information content: Information on alternative packages**

Please visit [www.infineon.com/packages](http://www.infineon.com/packages).

<sup>7)</sup> Dimensions in mm

## Trademarks

All referenced product or service names and trademarks are the property of their respective owners.

**Edition 2021-05-28**

**Published by**  
**Infineon Technologies AG**  
**81726 Munich, Germany**

**© 2021 Infineon Technologies AG**  
**All Rights Reserved.**

**Do you have a question about any**  
**aspect of this document?**  
**Email: [erratum@infineon.com](mailto:erratum@infineon.com)**

**Document reference**  
**IFX-jmv1546509847065**

## IMPORTANT NOTICE

The information given in this document shall in no event be regarded as a guarantee of conditions or characteristics ("Beschaffheitsgarantie").

With respect to any examples, hints or any typical values stated herein and/or any information regarding the application of the product, Infineon Technologies hereby disclaims any and all warranties and liabilities of any kind, including without limitation warranties of non-infringement of intellectual property rights of any third party.

In addition, any information given in this document is subject to customer's compliance with its obligations stated in this document and any applicable legal requirements, norms and standards concerning customer's products and any use of the product of Infineon Technologies in customer's applications.

The data contained in this document is exclusively intended for technically trained staff. It is the responsibility of customer's technical departments to evaluate the suitability of the product for the intended application and the completeness of the product information given in this document with respect to such application.

## WARNINGS

Due to technical requirements products may contain dangerous substances. For information on the types in question please contact your nearest Infineon Technologies office.

Except as otherwise explicitly approved by Infineon Technologies in a written document signed by authorized representatives of Infineon Technologies, Infineon Technologies' products may not be used in any applications where a failure of the product or any consequences of the use thereof can reasonably be expected to result in personal injury.