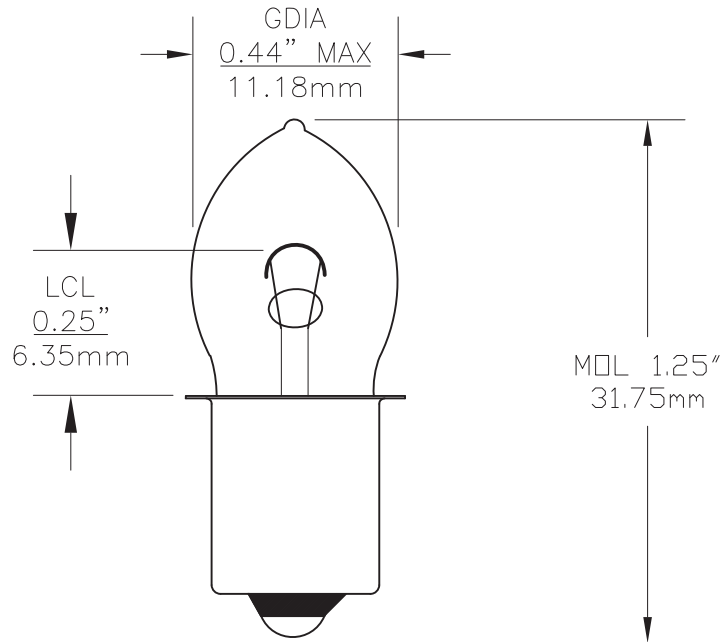


PART NO.	BASE TYPE	DESIGN VOLTS	DESIGN Amps	MSCP	AVG LIFE
KPR102	S.C. Min.Flange	2.4 V	0.70	1.30	15hours

REVISIONS			
REV	DESCRIPTION	DATE	APPROVED
1	Revised LCL location	01/21/2005	D.C.



UNLESS OTHERWISE SPECIFIED: DIMENSIONS ARE IN INCHES TOLERANCES		CEC INDUSTRIES LTD			
DECIMALS .XX ± .05 .XXX ± .010 FRACTIONAL ± 1/64		599 BOND STREET		LINCOLNSHIRE, IL 60069	
DRAWN Anna Soloveychik		DATE 06/11/03		TITLE KPR102	
CHECKED		SIZE A	FSCM NO.	DWG NO. KPR102 rev1	REV 1
DESIGN		SCALE	PLOT SCALE	SHEET 1 OF 1	
MATERIAL		FILE KPR102 rev1.dwg		DO NOT SCALE DRAWING	