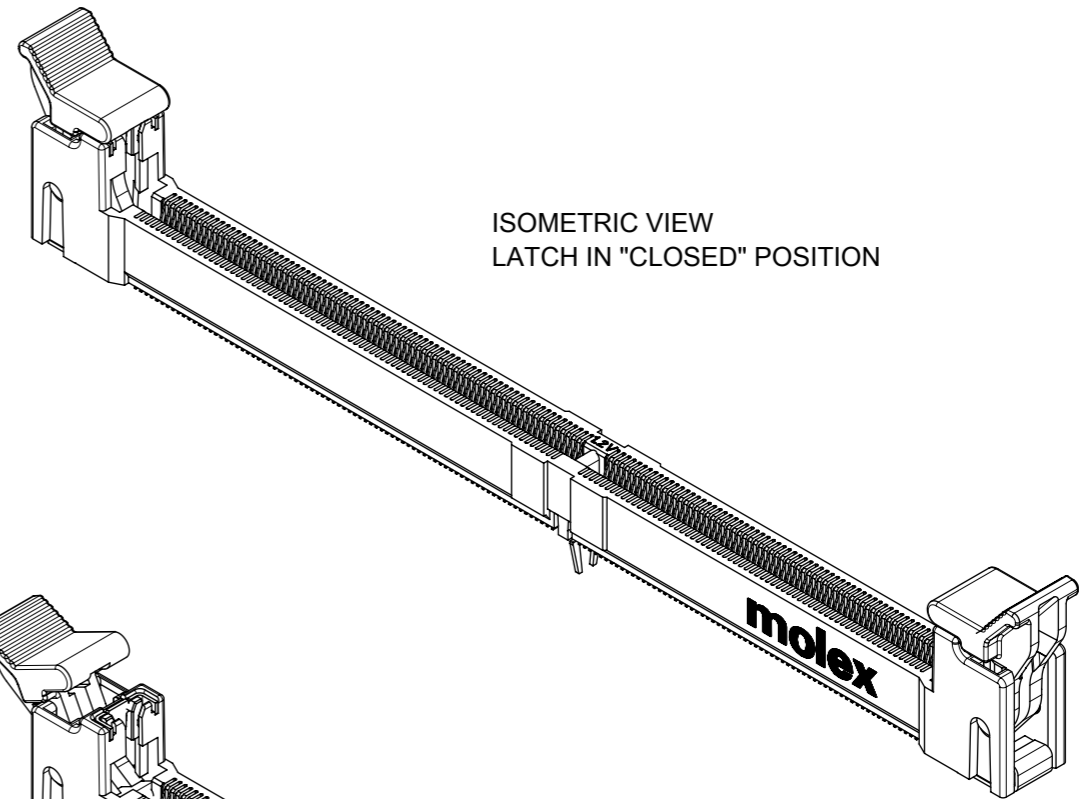
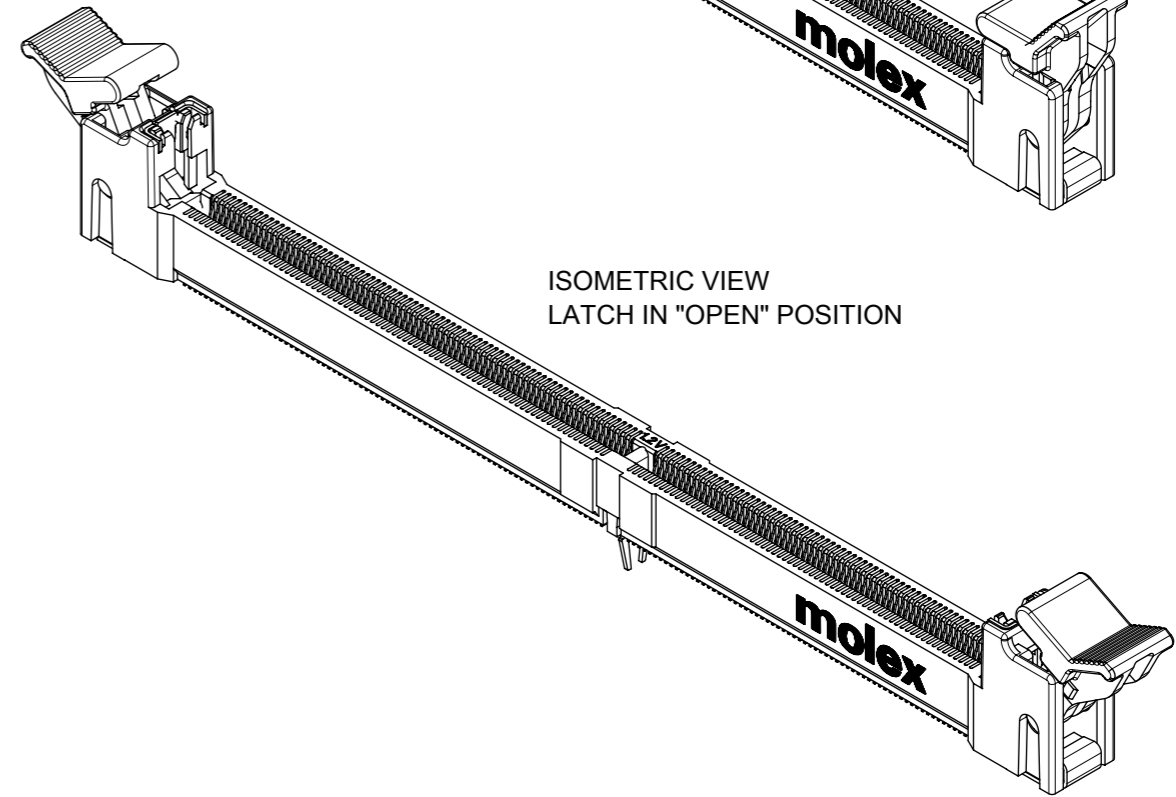


NOTES:

1. MATERIALS  
 HOUSING - LIQUID CRYSTAL POLYMER (LCP), GLASS FILLED, UL94 V-0;  
 COLOR: BLACK  
 LATCH - POLYAMIDE (PA), GLASS FILLED, UL94 V-0;  
 COLOR: NATURAL (OFF-WHITE)  
 TERMINAL - COPPER ALLOY  
 PCB HOLD-DOWN FEATURES - COPPER ALLOY
2. FINISHES  
 CONTACT AREA - 0.76 MICROMETER (30 MICROINCH) MINIMUM GOLD OVER  
 1.25 MICROMETER (50 MICROINCH) MINIMUM NICKEL  
 SMT TAIL - 2.54 MICROMETER (100 MICROINCH) MINIMUM TIN OVER  
 1.25 MICROMETER (50 MICROINCH) MINIMUM NICKEL  
 PCB HOLD-DOWN FEATURES - 2.54 MICROMETER (100 MICROINCH) MINIMUM TIN OVER  
 1.25 MICROMETER (50 MICROINCH) MINIMUM NICKEL
3. PRODUCT SPECIFICATION: SEE TABLE
4. PACKAGING SPECIFICATION: SEE TABLE
5. CARD SLOT ACCEPTS 1.40±0.10mm MODULE THICKNESS  
 (MEASURED OVER P.C. PADS).
6. MOLEX LOGO, DATE & PART NO. INDICATED ON SIDE OF HOUSING
7. MODULE SEATING PLANE FROM TOP OF PCB.
8. KEEP-OUT ZONE FOR LATCH
9. KEEP-OUT AREA IS THE AREA WHERE THE CONNECTOR IS MOUNTED  
 ONTO THE PCB (INCLUDING LATCH IN THE OPEN POSITION).
10. CONNECTOR APPLICATION GUIDELINE: AS-151105-0002.
11. PCB ROUTING RECOMMENDATION: AS-151105-0001.



ISOMETRIC VIEW  
LATCH IN "CLOSED" POSITION

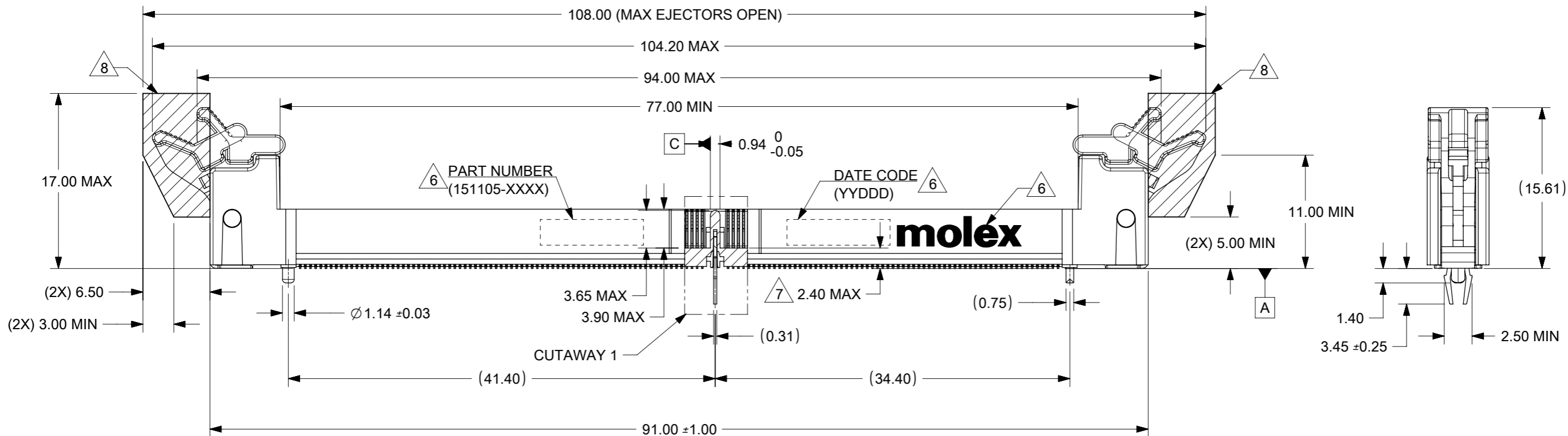
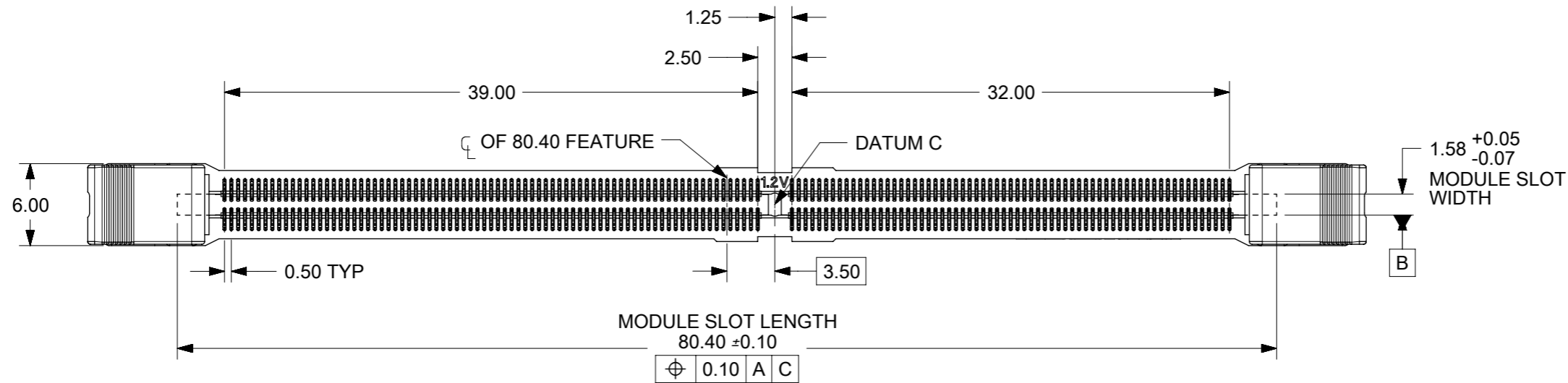


ISOMETRIC VIEW  
LATCH IN "OPEN" POSITION

THIS DRAWING CONTAINS INFORMATION THAT IS PROPRIETARY TO MOLEX ELECTRONIC TECHNOLOGIES, LLC AND SHOULD NOT BE USED WITHOUT WRITTEN PERMISSION

HOUSING MODIFIED	2017/11/01	GENERAL TOLERANCES (UNLESS SPECIFIED)	DIMENSION UNITS	SCALE	<b>molex®</b>			
	2018/01/25		mm	NTS				
	2018/02/09		ANGULAR TOL ± 3.0 °	DRWN BY		DATE		
	EC NO: 167494		4 PLACES ±	JAKEEMEW		2014/12/16		
	DRWN: JAKEEMEW		3 PLACES ±	CHK'D BY		DATE		
	CHK'D: CCTEH		2 PLACES ± 0.2	CCTEH		2015/05/29		
REV	APPR: SHLENI	1 PLACE ±	APPR BY	DATE	PRODUCT CUSTOMER DRAWING			
B1	DRAFT WHERE APPLICABLE MUST REMAIN WITHIN DIMENSIONS	0 PLACES ±	SHLENI	2015/06/08				
		DRAWING SIZE	THIRD ANGLE PROJECTION					
RELEASE STATUS	RELEASE DATE		A3		SERIES	MATERIAL NUMBER	CUSTOMER	
					151105	SEE TABLE	GENERAL MARKET	
					DOCUMENT NUMBER	DOC TYPE	DOC PART	SHEET NUMBER
					SD-151105-0001	PSD	000	1 OF 7

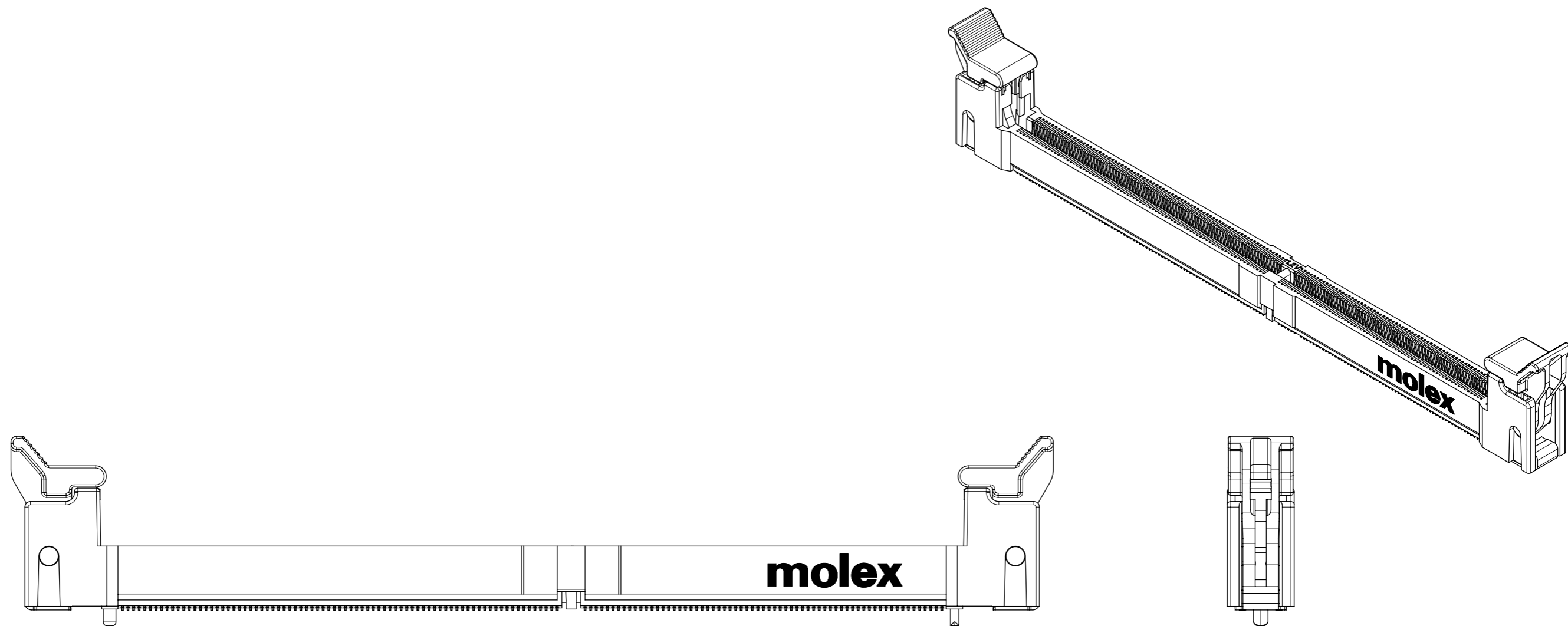
RELEASE STATUS	RELEASE DATE
----------------	--------------



THIS DRAWING CONTAINS INFORMATION THAT IS PROPRIETARY TO MOLEX ELECTRONIC TECHNOLOGIES, LLC AND SHOULD NOT BE USED WITHOUT WRITTEN PERMISSION

HOUSING MODIFIED EC NO: 167494 DRWN: JAKEEMEW CHK'D: CCTEH REV APPR: SHLENI	2017/11/01	GENERAL TOLERANCES (UNLESS SPECIFIED)	DIMENSION UNITS	SCALE	<b>molex</b> <sup>®</sup>				
	2018/01/25		mm	NTS					
	2018/02/09		ANGULAR TOL ± 3.0 °	DRWN BY		DATE	DDR4 MINI DIMM, 0.50MM VERTICAL SMT 288CKTS		
			4 PLACES ±	JAKEEMEW		2014/12/16			
			3 PLACES ±	CHK'D BY		DATE	PRODUCT CUSTOMER DRAWING		
	2 PLACES ± 0.2	CCTEH	2015/05/29						
	1 PLACE ±	APPR BY	DATE	SERIES	MATERIAL NUMBER	CUSTOMER			
	0 PLACES ±	SHLENI	2015/06/08	151105	SEE TABLE	GENERAL MARKET			
	DRAFT WHERE APPLICABLE MUST REMAIN WITHIN DIMENSIONS	DRAWING SIZE	THIRD ANGLE PROJECTION	DOCUMENT NUMBER			DOC TYPE	DOC PART	SHEET NUMBER
B1	REV	A3		SD-151105-0001			PSD	000	2 OF 7

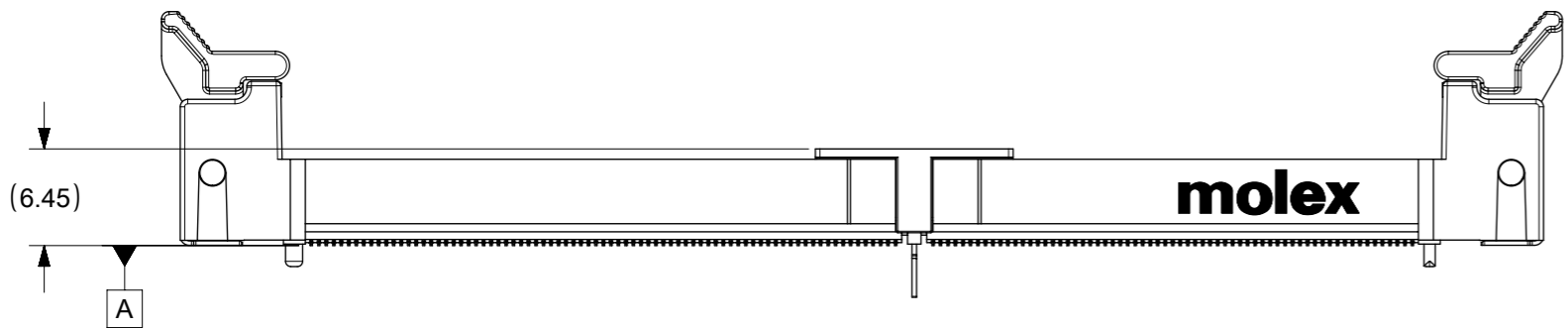
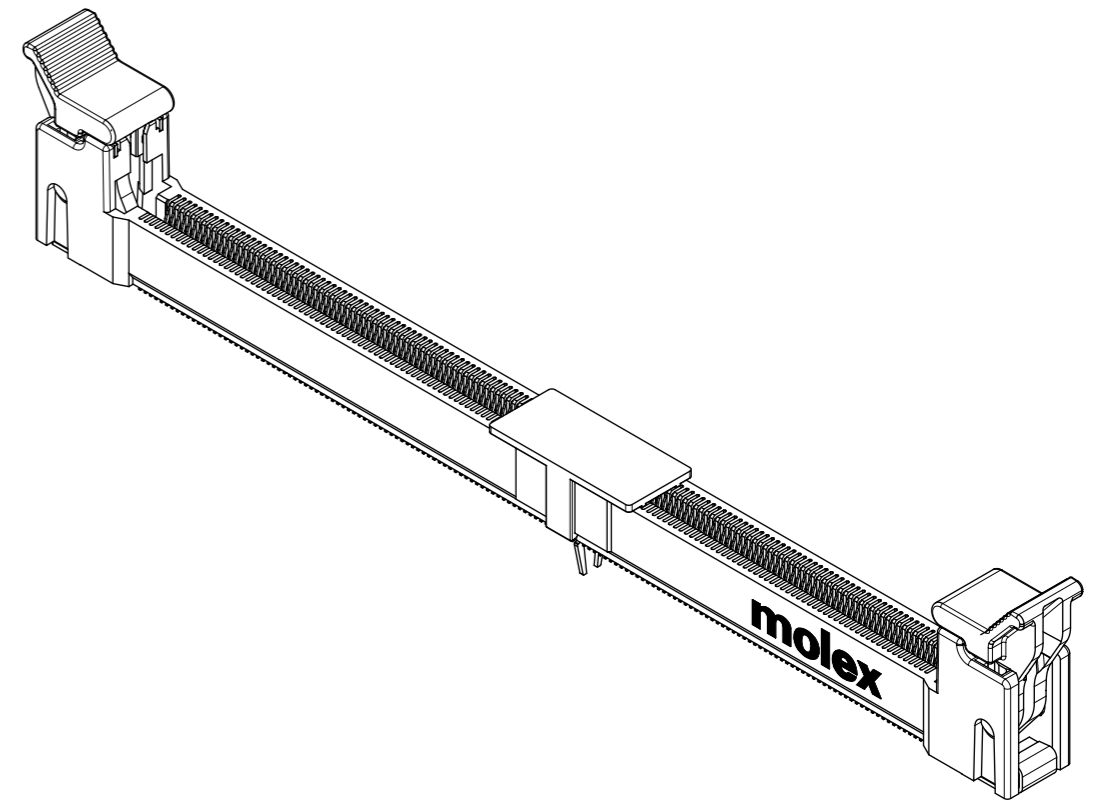
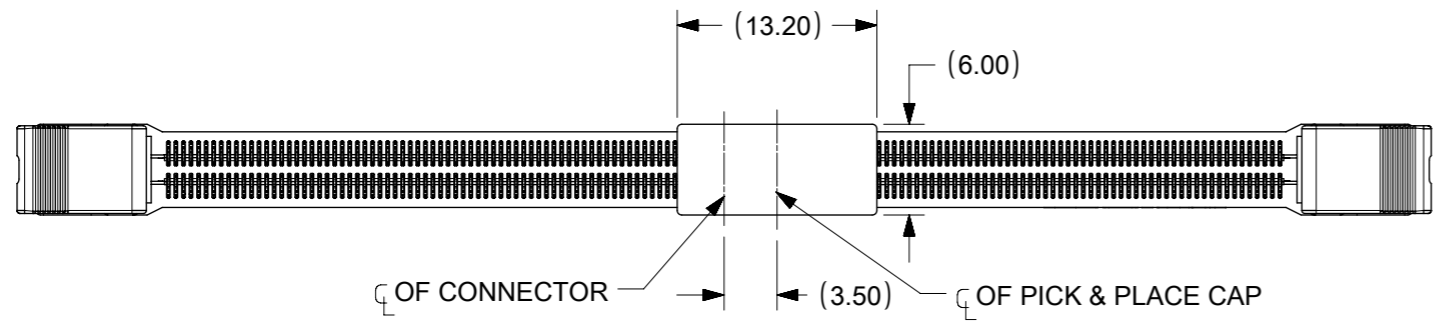
CONNECTOR WITHOUT CENTER PCB HOLD-DOWN FEATURE



THIS DRAWING CONTAINS INFORMATION THAT IS PROPRIETARY TO MOLEX ELECTRONIC TECHNOLOGIES, LLC AND SHOULD NOT BE USED WITHOUT WRITTEN PERMISSION

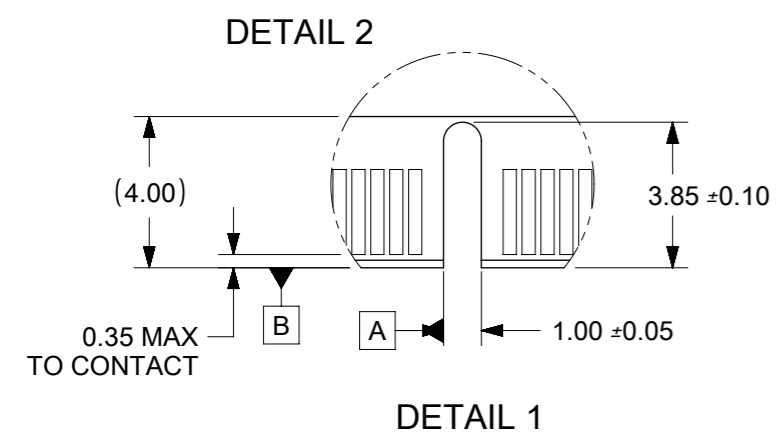
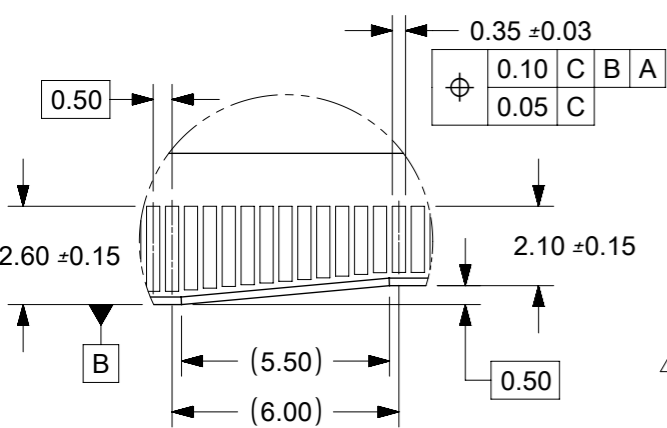
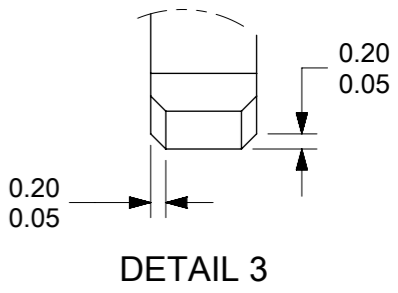
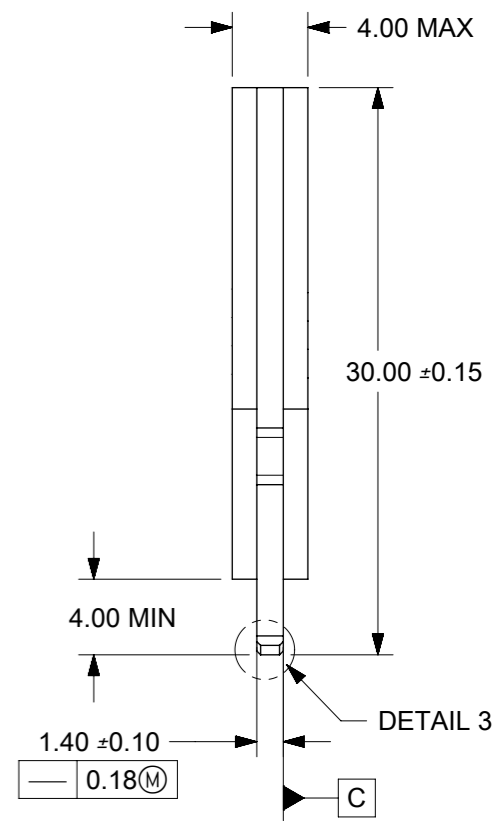
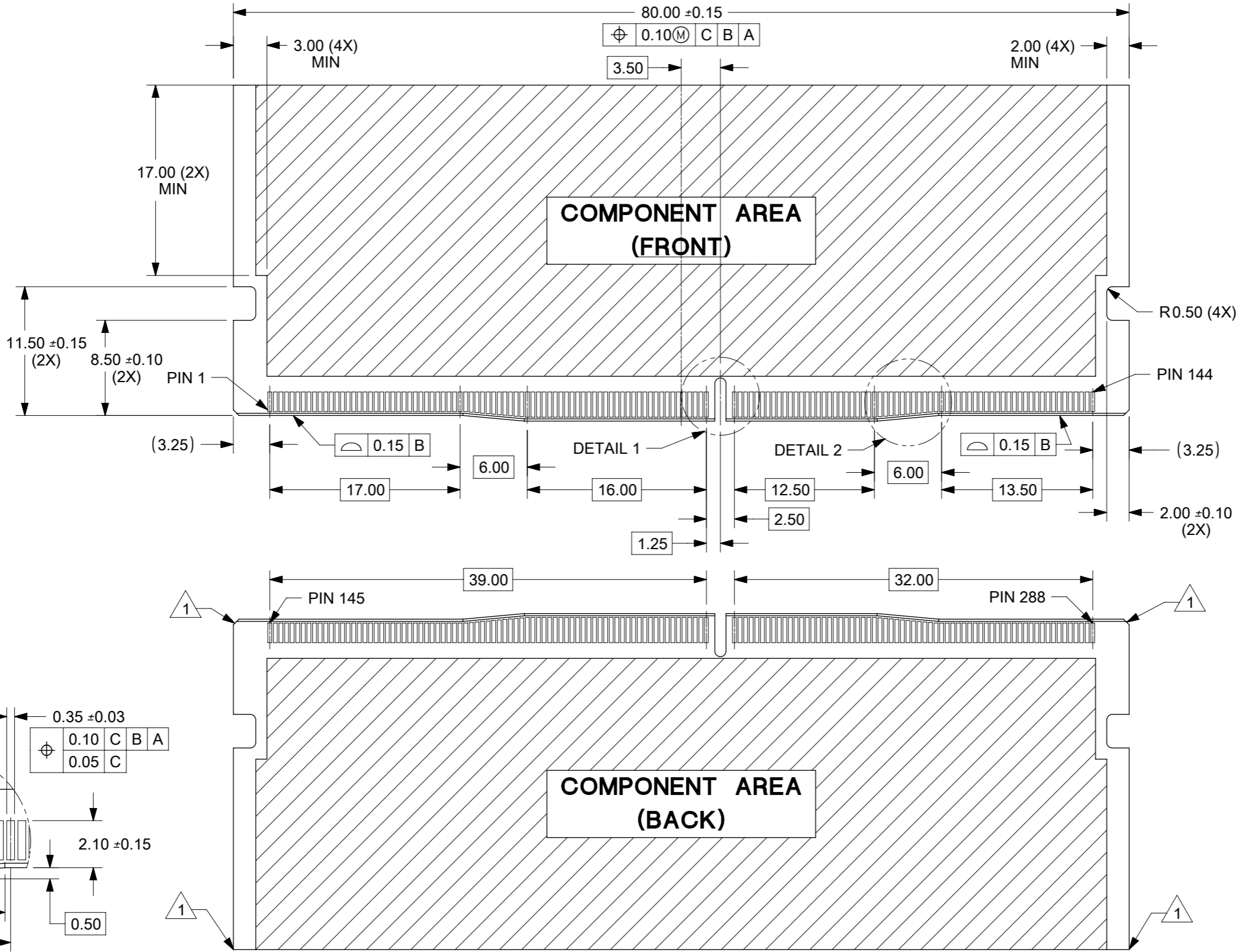
HOUSING MODIFIED EC NO: 167494 DRWN: JAKEEMEW CHK'D: CCTEH REV APPR: SHLENI	2017/11/01	GENERAL TOLERANCES (UNLESS SPECIFIED)	DIMENSION UNITS	SCALE			
	2018/01/25		mm	NTS			
	2018/02/09		ANGULAR TOL ± 3.0 °	DRWN BY		DATE	DDR4 MINI DIMM, 0.50MM VERTICAL SMT 288CKTS
			4 PLACES ±	JAKEEMEW		2014/12/16	
			3 PLACES ±	CHK'D BY		DATE	
			2 PLACES ± 0.2	CCTEH		2015/05/29	PRODUCT CUSTOMER DRAWING
	1 PLACE ±	SHLENI	2015/06/08				
	0 PLACES ±	DRAFT WHERE APPLICABLE MUST REMAIN WITHIN DIMENSIONS	DRAWING SIZE	THIRD ANGLE PROJECTION	SERIES: 151105 MATERIAL NUMBER: SEE TABLE CUSTOMER: GENERAL MARKET		
B1	REV		A3		DOCUMENT NUMBER: SD-151105-0001 DOC TYPE: PSD DOC PART: 000 SHEET NUMBER: 3 OF 7		

CONNECTOR WITH PICK & PLACE CAP



THIS DRAWING CONTAINS INFORMATION THAT IS PROPRIETARY TO MOLEX ELECTRONIC TECHNOLOGIES, LLC AND SHOULD NOT BE USED WITHOUT WRITTEN PERMISSION

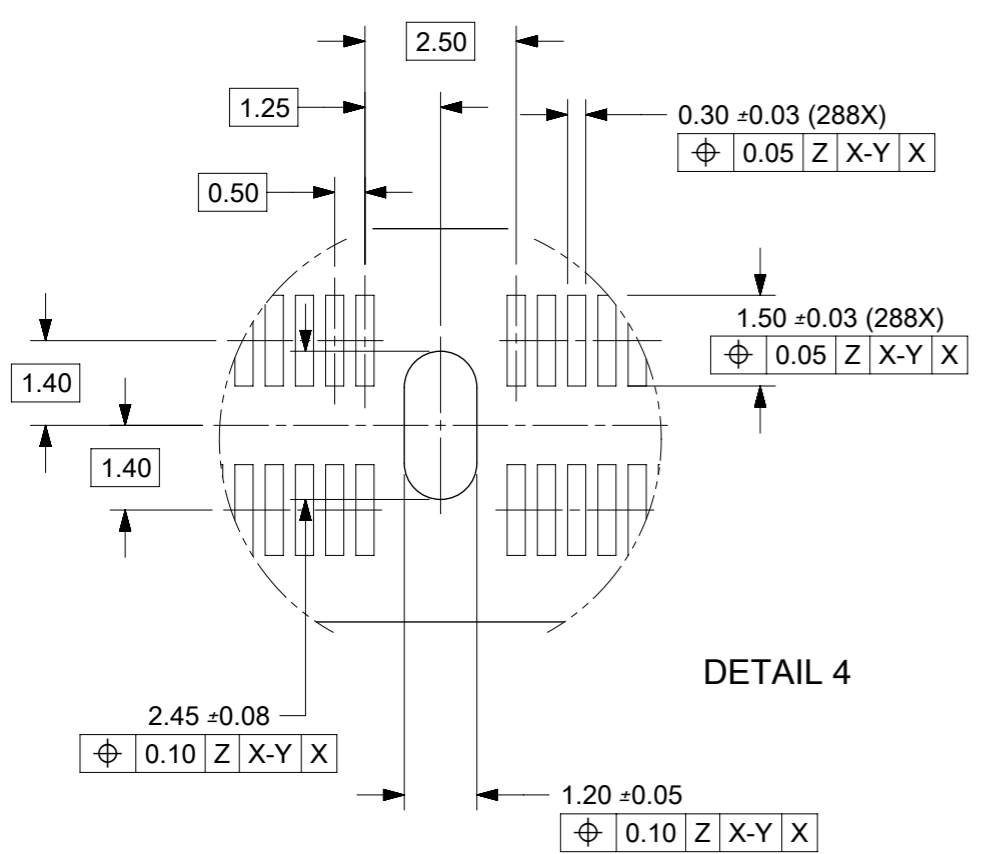
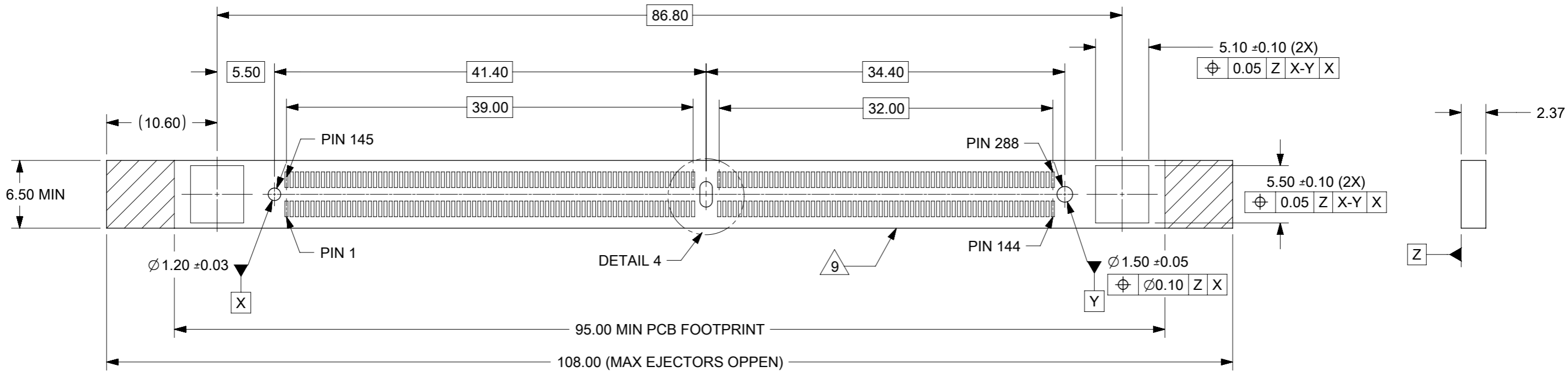
HOUSING MODIFIED EC NO: 167494 DRWN: JAKEEMEW CHK'D: CCTEH APPR: SHLENI	2017/11/01	GENERAL TOLERANCES (UNLESS SPECIFIED)		DIMENSION UNITS	SCALE					
	2018/01/25	ANGULAR TOL ± 3.0 °		mm	NTS					
	2018/02/09	4 PLACES	±	DRWN BY	DATE	DDR4 MINI DIMM, 0.50MM VERTICAL SMT 288CKTS				
		3 PLACES	±	JAKEEMEW	2014/12/16					
		2 PLACES	± 0.2	CHK'D BY	DATE	PRODUCT CUSTOMER DRAWING				
		1 PLACE	±	CCTEH	2015/05/29					
	0 PLACES	±	APPR BY	DATE	SERIES	MATERIAL NUMBER	CUSTOMER			
			SHLENI	2015/06/08	151105	SEE TABLE	GENERAL MARKET			
			DRAFT WHERE APPLICABLE MUST REMAIN WITHIN DIMENSIONS		DRAWING SIZE	THIRD ANGLE PROJECTION	DOCUMENT NUMBER	DOC TYPE	DOC PART	SHEET NUMBER
					A3		SD-151105-0001	PSD	000	4 OF 7



NOTE:  
 1 CHAMFERS AND/OR RADII AS DEFINED BY JEDEC SOLID STATE PRODUCT OUTLINE

THIS DRAWING CONTAINS INFORMATION THAT IS PROPRIETARY TO MOLEX ELECTRONIC TECHNOLOGIES, LLC AND SHOULD NOT BE USED WITHOUT WRITTEN PERMISSION

HOUSING MODIFIED EC NO: 167494 DRWN: JAKEEMEW CHK'D: CCTEH APPR: SHLENI	2017/11/01	GENERAL TOLERANCES (UNLESS SPECIFIED)	DIMENSION UNITS	SCALE		
	2018/01/25		mm	NTS		
	2018/02/09		ANGULAR TOL ± 3.0 °	DRWN BY		DATE
	4 PLACES ±		JAKEEMEW	2014/12/16		
B1	REV	0 PLACES ±	CHK'D BY	DATE	DDR4 MINI DIMM, 0.50MM VERTICAL SMT 288CKTS  PRODUCT CUSTOMER DRAWING SERIES: 151105 MATERIAL NUMBER: SEE TABLE CUSTOMER: GENERAL MARKET DOCUMENT NUMBER: SD-151105-0001 DOC TYPE: PSD DOC PART: 000 SHEET NUMBER: 5 OF 7	
	2	3 PLACES ±	CCTEH	2015/05/29		
	3	2 PLACES ± 0.2	APPR BY	DATE		
	4	1 PLACE ±	SHLENI	2015/06/08		
		0 PLACES ±	DRAWING SIZE	THIRD ANGLE PROJECTION		
		DRAFT WHERE APPLICABLE MUST REMAIN WITHIN DIMENSIONS	A3			



THIS DRAWING CONTAINS INFORMATION THAT IS PROPRIETARY TO MOLEX ELECTRONIC TECHNOLOGIES, LLC AND SHOULD NOT BE USED WITHOUT WRITTEN PERMISSION

HOUSING MODIFIED	EC NO: 167494	DRWN: JAKEEMEW	CHK'D: CCTEH	APPR: SHLENI	GENERAL TOLERANCES (UNLESS SPECIFIED)	DIMENSION UNITS	SCALE	<b>molex®</b>			
	2017/11/01	2018/01/25	2018/02/09	ANGULAR TOL ± 3.0 °	mm	NTS	DDR4 MINI DIMM, 0.50MM VERTICAL SMT 288CKTS				
	4 PLACES ±	3 PLACES ±	2 PLACES ± 0.2	1 PLACE ±	0 PLACES ±	DRWN BY	DATE	PRODUCT CUSTOMER DRAWING			
	DRAFT WHERE APPLICABLE MUST REMAIN WITHIN DIMENSIONS					CHK'D BY	DATE	SERIES			
						APPR BY	DATE	MATERIAL NUMBER			
B1	REV				DRAWING SIZE	THIRD ANGLE PROJECTION	CUSTOMER				
					A3			GENERAL MARKET			
							DOCUMENT NUMBER		DOC TYPE	DOC PART	SHEET NUMBER
							SD-151105-0001		PSD	000	6 OF 7

9 8 7 6 5 4 3 2 1

E

E

ASSEMBLY PART NUMBER	CENTER PCB HOLD-DOWN FEATURE	PICK & PLACE CAP	PRODUCT SPECIFICATION	PACKAGING SPECIFICATION
151105-0001	YES	NO	PS-151105-0001	PK-151105-0001
151105-0002	NO	YES		
151105-0003	YES	YES		
151105-0004	NO	NO		

D

D

C

C


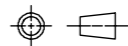
B

B

A

A

THIS DRAWING CONTAINS INFORMATION THAT IS PROPRIETARY TO MOLEX ELECTRONIC TECHNOLOGIES, LLC AND SHOULD NOT BE USED WITHOUT WRITTEN PERMISSION

HOUSING MODIFIED EC NO: 167494 DRWN: JAKEEMEW CHK'D: CCTEH REV APPR: SHLENI	2017/11/01	GENERAL TOLERANCES (UNLESS SPECIFIED)	DIMENSION UNITS	SCALE					
	2018/01/25	ANGULAR TOL ± 3.0 °	mm	NTS					
	2018/02/09	4 PLACES ±	DRWN BY	DATE		DDR4 MINI DIMM, 0.50MM VERTICAL SMT 288CKTS			
		3 PLACES ±	JAKEEMEW	2014/12/16					
		2 PLACES ± 0.2	CHK'D BY	DATE					
		1 PLACE ±	CCTEH	2015/05/29		PRODUCT CUSTOMER DRAWING			
	0 PLACES ±	APPR BY	DATE		SERIES	MATERIAL NUMBER	CUSTOMER		
	DRAFT WHERE APPLICABLE MUST REMAIN WITHIN DIMENSIONS	SHLENI	2015/06/08		151105	SEE TABLE	GENERAL MARKET		
		DRAWING SIZE	THIRD ANGLE PROJECTION		DOCUMENT NUMBER		DOC TYPE	DOC PART	SHEET NUMBER
		A3			SD-151105-0001		PSD	000	7 OF 7

RELEASE STATUS	P1	RELEASE DATE	2018/02/09	10:38:07
----------------	----	--------------	------------	----------

9 8 7 6 5 4 3 2 1

FORMAT: master-b-prod-A3  
REVISION: 0  
DATE: 2015/12/14