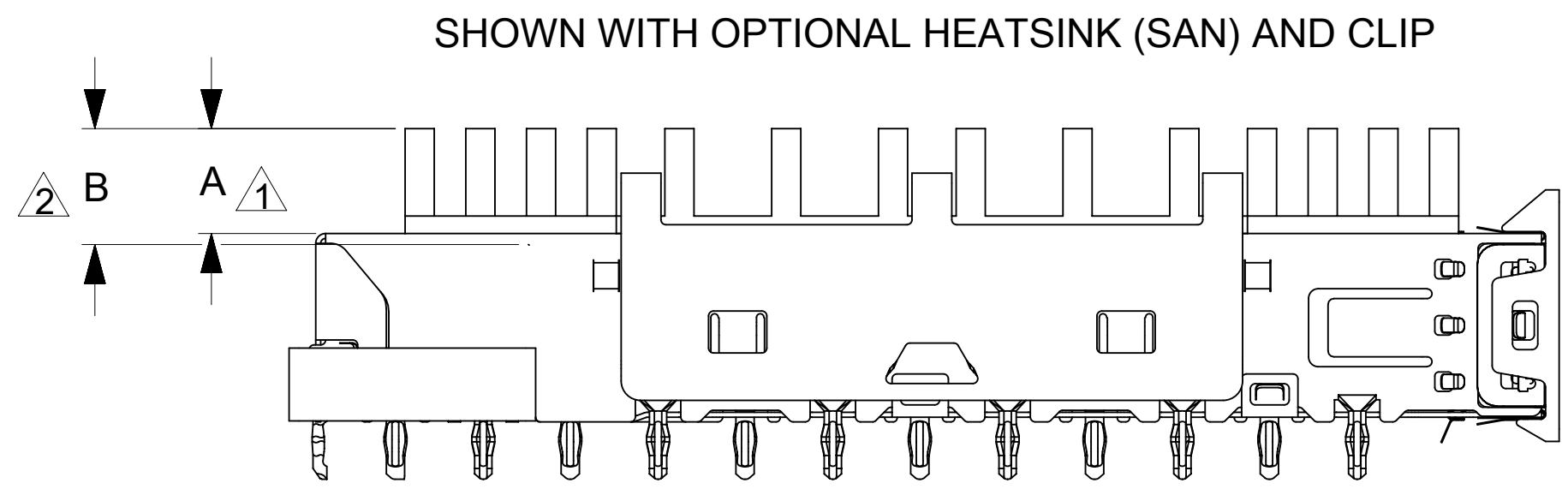


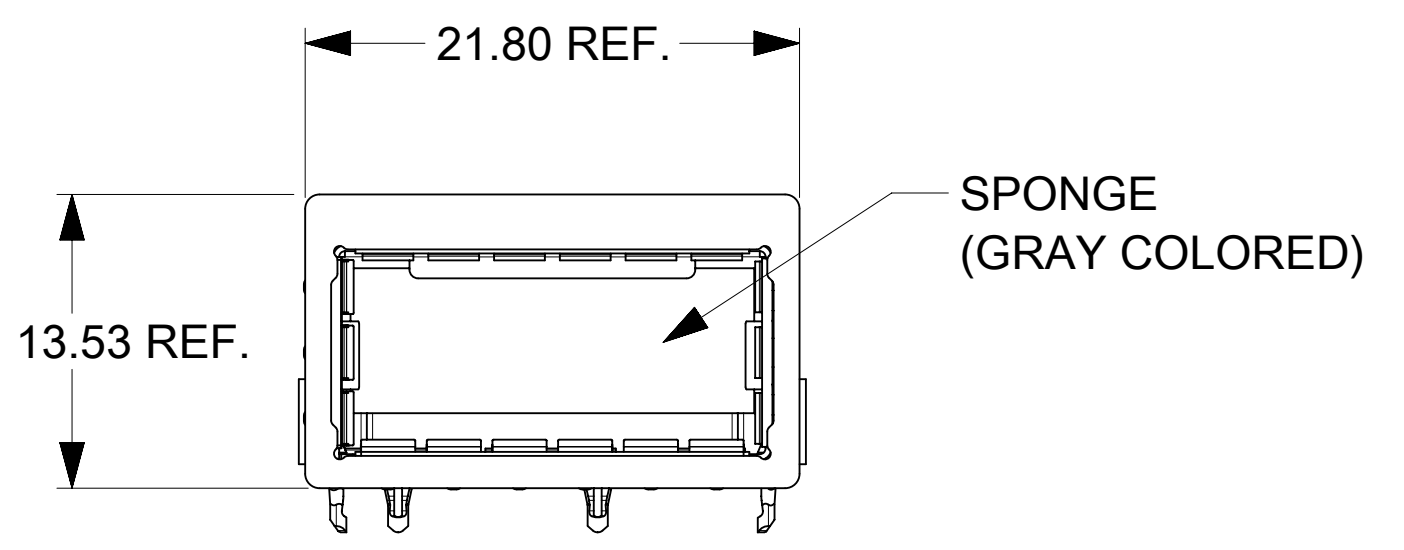
COMPLIANT EMI GASKET (DARK COLORED - GRAY)



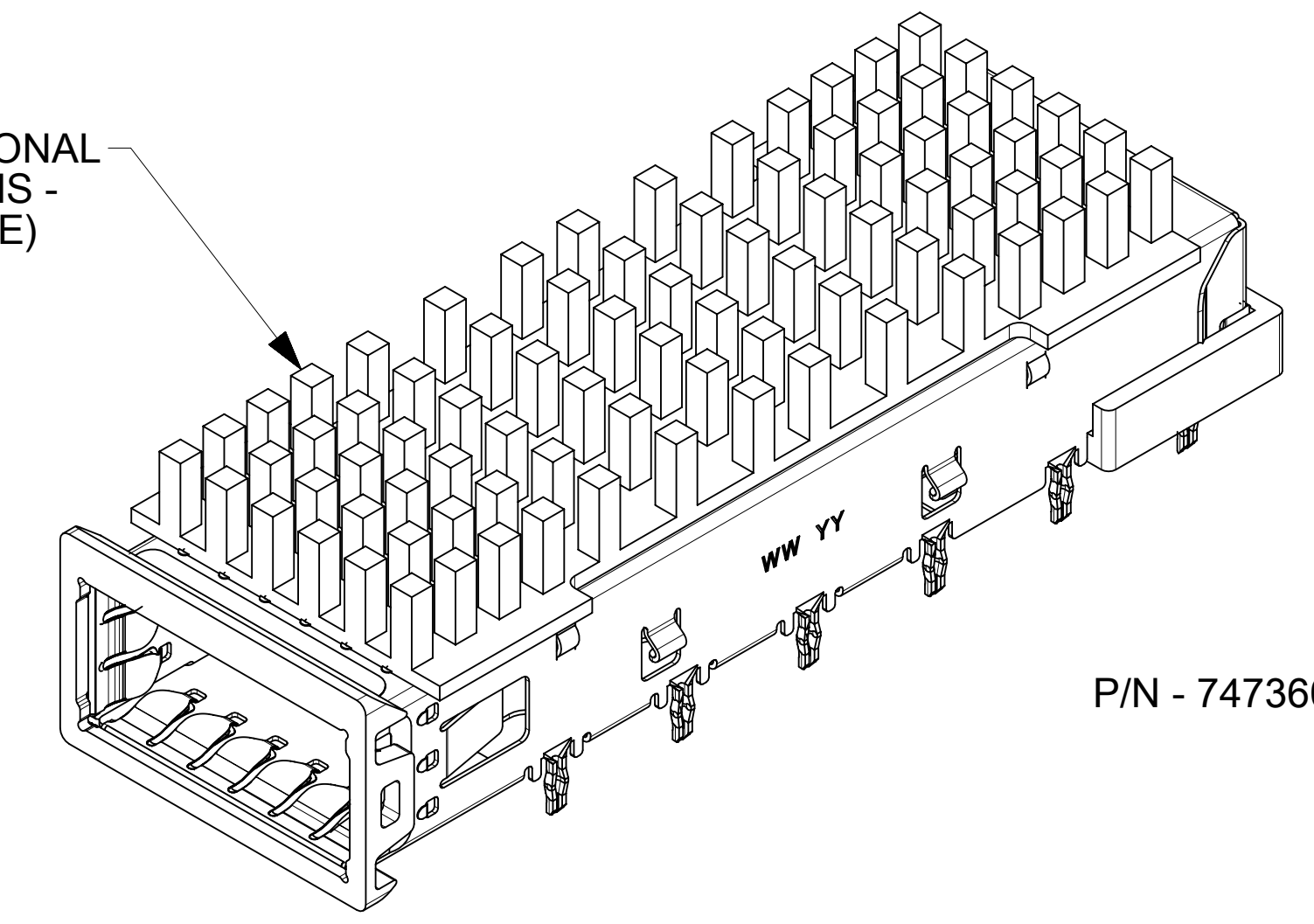
SHOWN WITH OPTIONAL HEATSINK (SAN) AND CLIP

- 1. MAXIMUM HEIGHT OF HEATSINK WITH MODULE INSERTED
- 2. OVERALL HEIGHT OF HEATSINK
- 3. OTHER HEATSINK DESIGNS ARE AVAILABLE INCLUDING CUSTOM DESIGNS

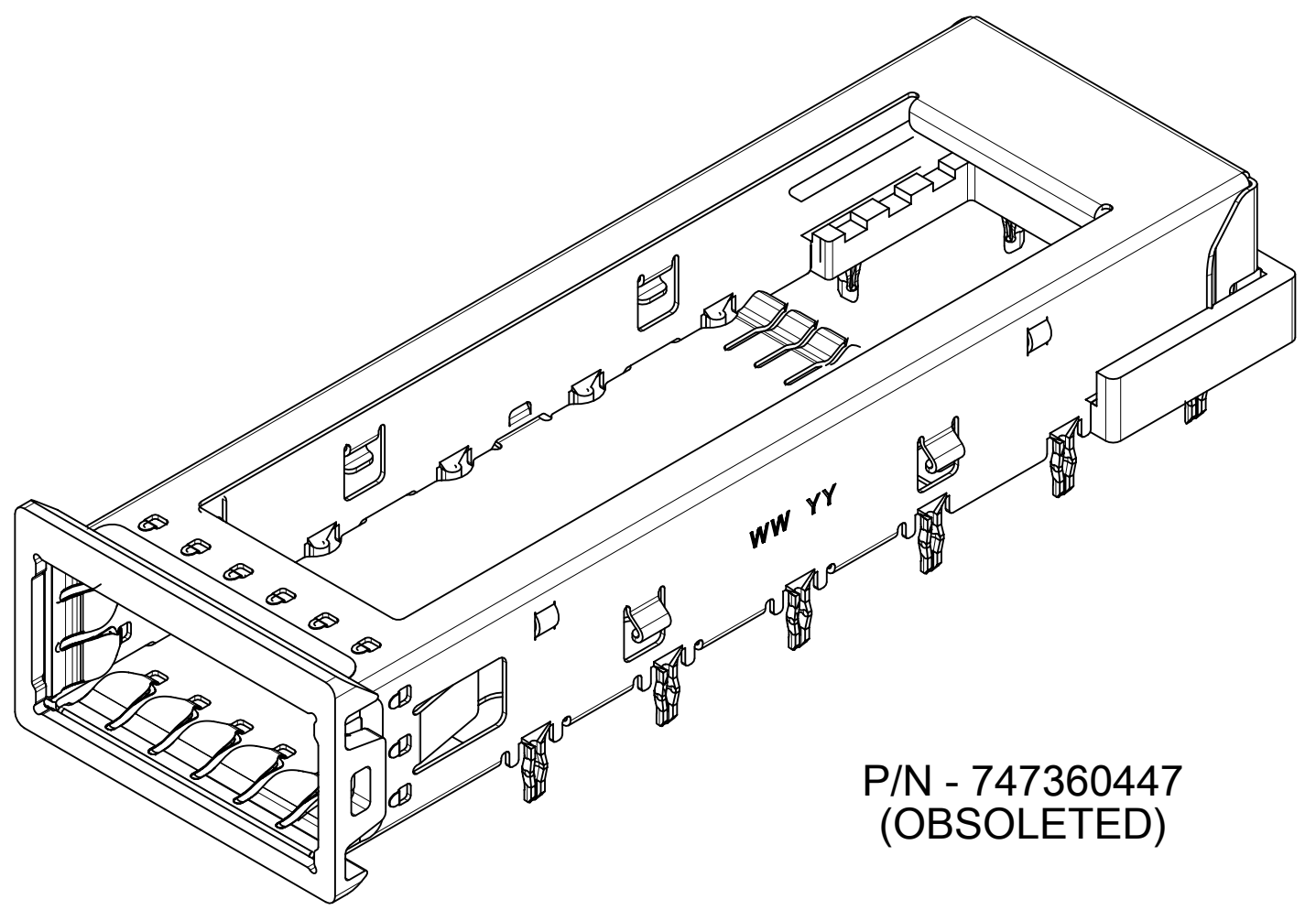
HEATSINK SINK AND CLIP ARE OPTIONAL (SEE CHART FOR HEATSINK OPTIONS - CUSTOM HEATSINKS ARE AVAILABLE)



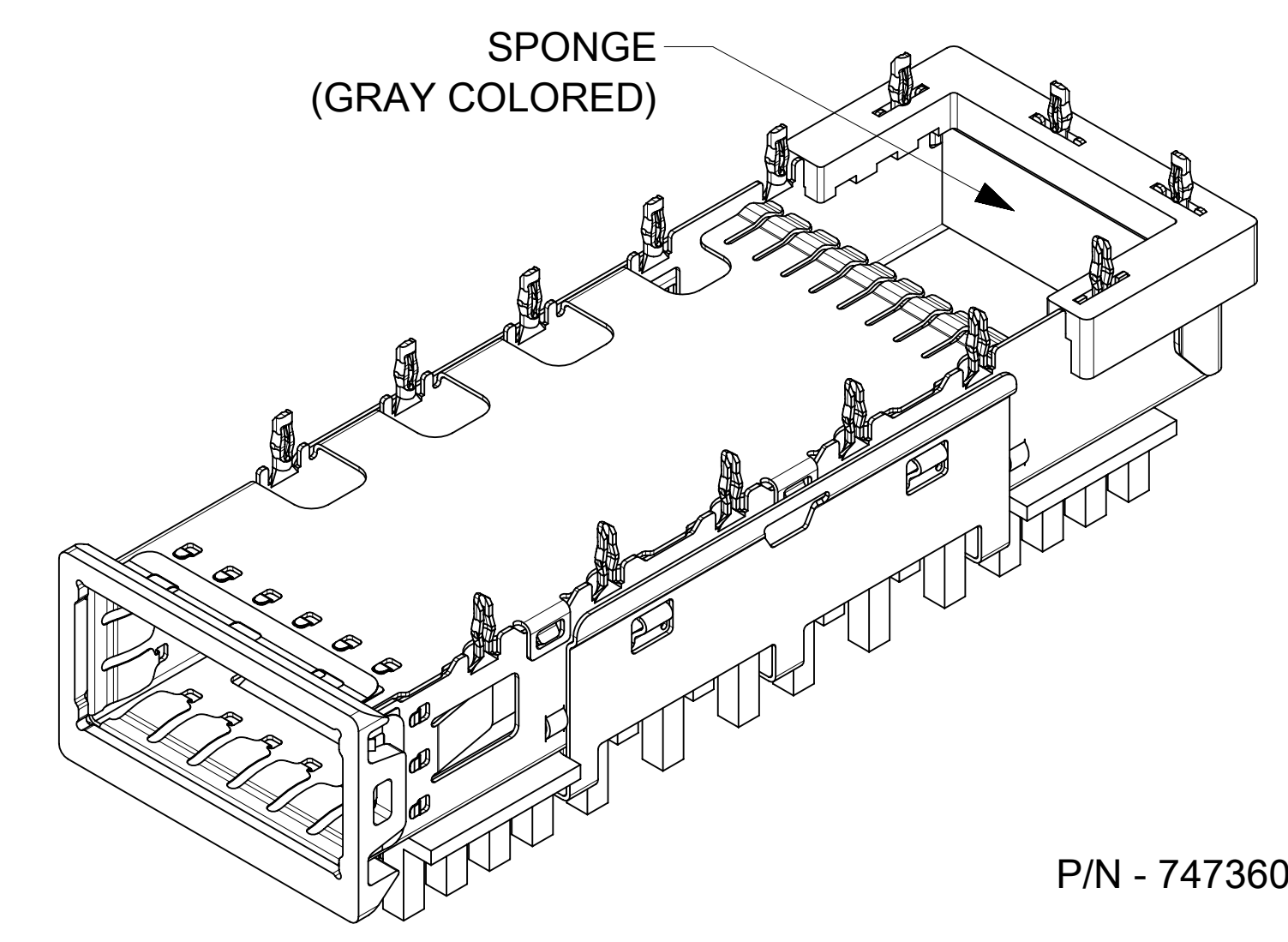
SPONGE (GRAY COLORED)



P/N - 747360449



P/N - 747360447 (OBSOLETE)

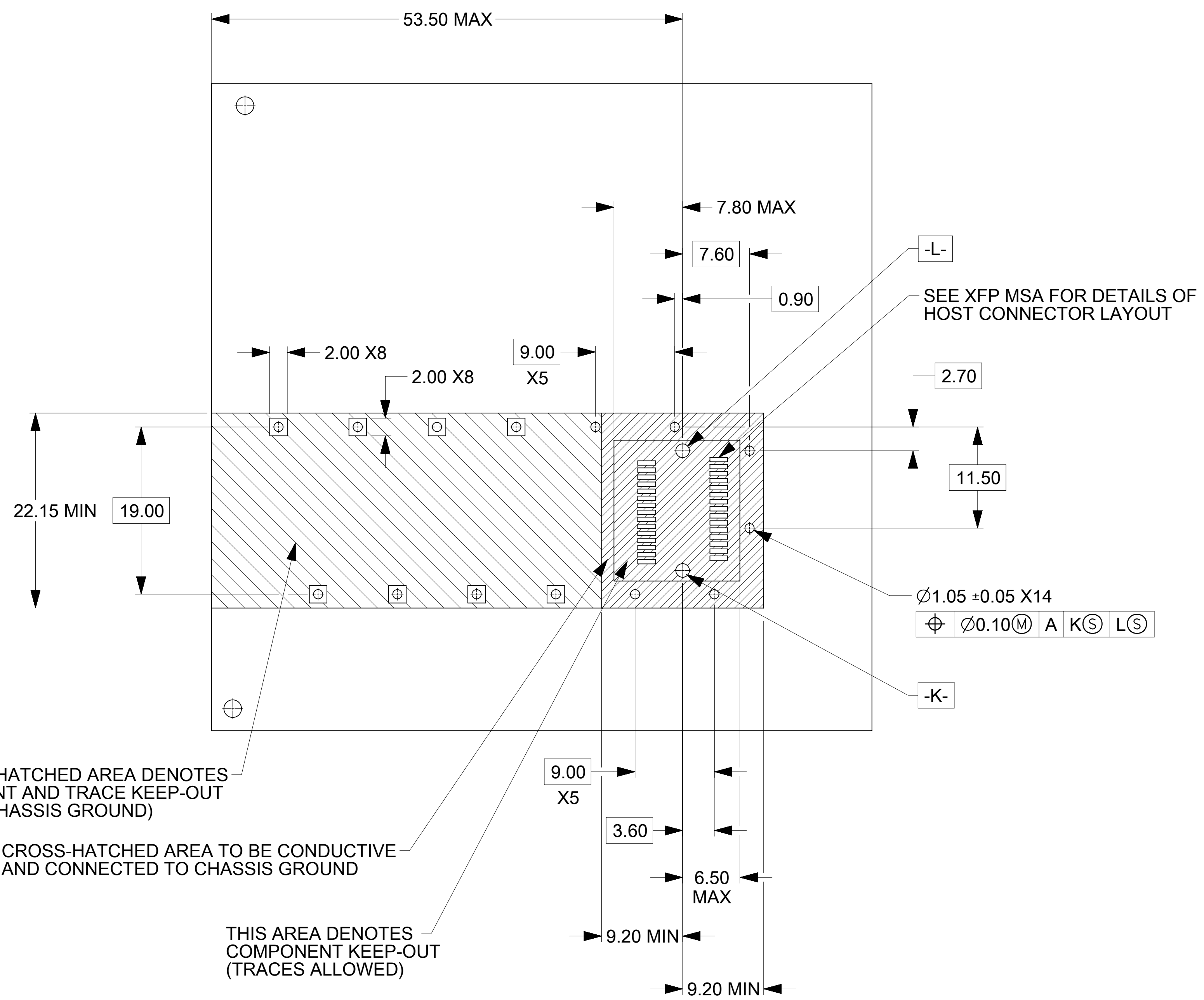


P/N - 747360449

PART NUMBERS FOR XFP CAGE ASSEMBLY & PARTS

P/N	DIM A	DIM B	DESCRIPTION	POWER LEVEL	THERMAL RESISTANCE @200 LFM
747360449	6.3	6.5	XFP CAGE WITH SAN HEATSINK (SHOWN)	UP TO 2.5W	<11.5 C/W
747360450	13.3	13.5	XFP CAGE WITH TALL HEATSINK	UP TO 3.5W	<8.0 C/W
747360230	N/A	N/A	HEATSINK CLIP ONLY	N/A	N/A
747360240	N/A	N/A	PCI HEATSINK ONLY	UP TO 1.5W	<18.0 C/W
747360241	N/A	N/A	SAN HEATSINK ONLY	UP TO 2.5W	<11.5 C/W
747360242	N/A	N/A	TALL HEATSINK ONLY	UP TO 3.5W	<8.0 C/W

FUNCTIONAL SYMBOLS FA = 0 FE = 0 FP = 0	THIS DRAWING CONTAINS INFORMATION THAT IS PROPRIETARY TO MOLEX ELECTRONIC TECHNOLOGIES, LLC AND SHOULD NOT BE USED WITHOUT WRITTEN PERMISSION	CURRENT REV DESC:		molex
	DIMENSION UNITS: mm	SCALE: 3:1	EC NO: 728791	
DIVISIONAL SYMBOLS	GENERAL TOLERANCES (UNLESS SPECIFIED)		DRWN: DKUMARG 2022/11/16	PRODUCT CUSTOMER DRAWING
	4 PLACES ±	MM	INCH	
3 PLACES ±			APPR: SCHIEN 2022/11/17	DOCUMENT NUMBER: SD-74736-0448
2 PLACES ±			INITIAL REVISION:	
1 PLACE ±			DRWN: CHIRSCHY 2008/09/25	DOC PART: 001
0 PLACES ±			APPR: RMAHMOOD 2008/09/26	REVISION: F3
ANGULAR TOL ± 1.0°		DRAFT WHERE APPLICABLE MUST REMAIN WITHIN DIMENSIONS		SHEET NUMBER: 1 OF 3
THIRD ANGLE PROJECTION		DRAWING: D-SIZE		MATERIAL NUMBER: SEE P/N TABLE
		SERIES: 74736		CUSTOMER: GENERAL MARKET

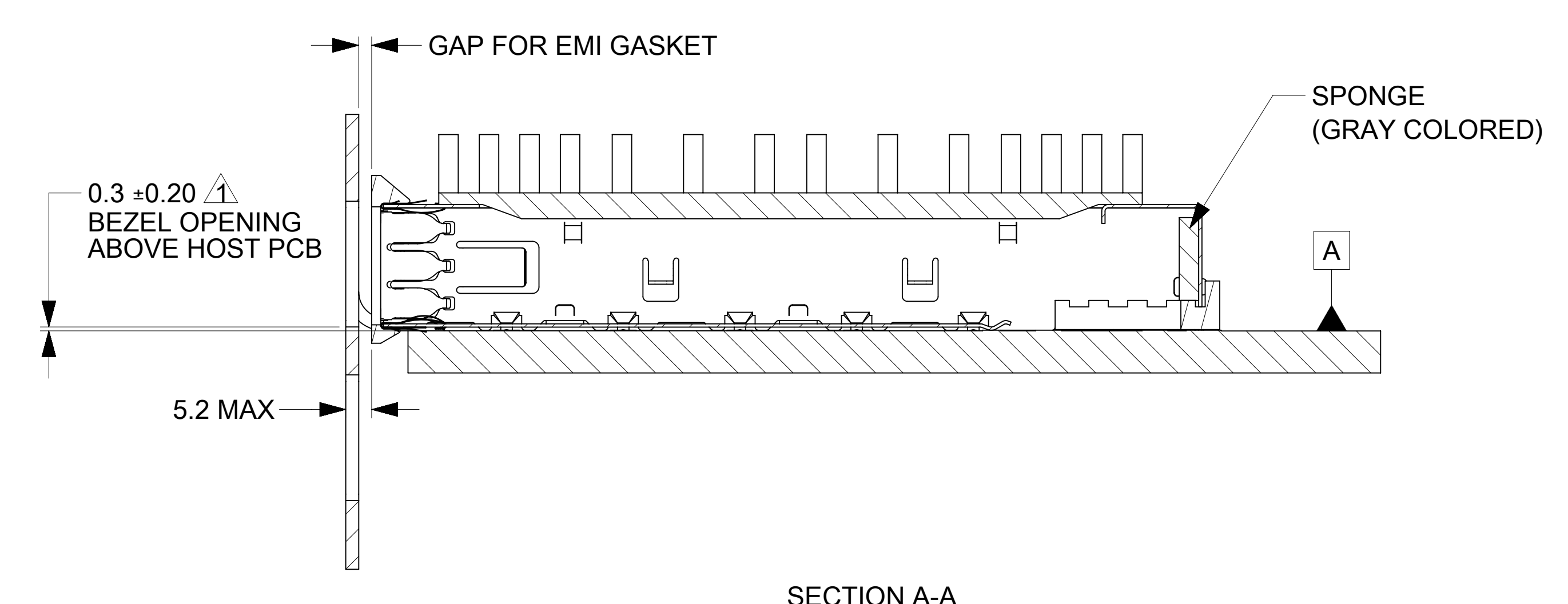
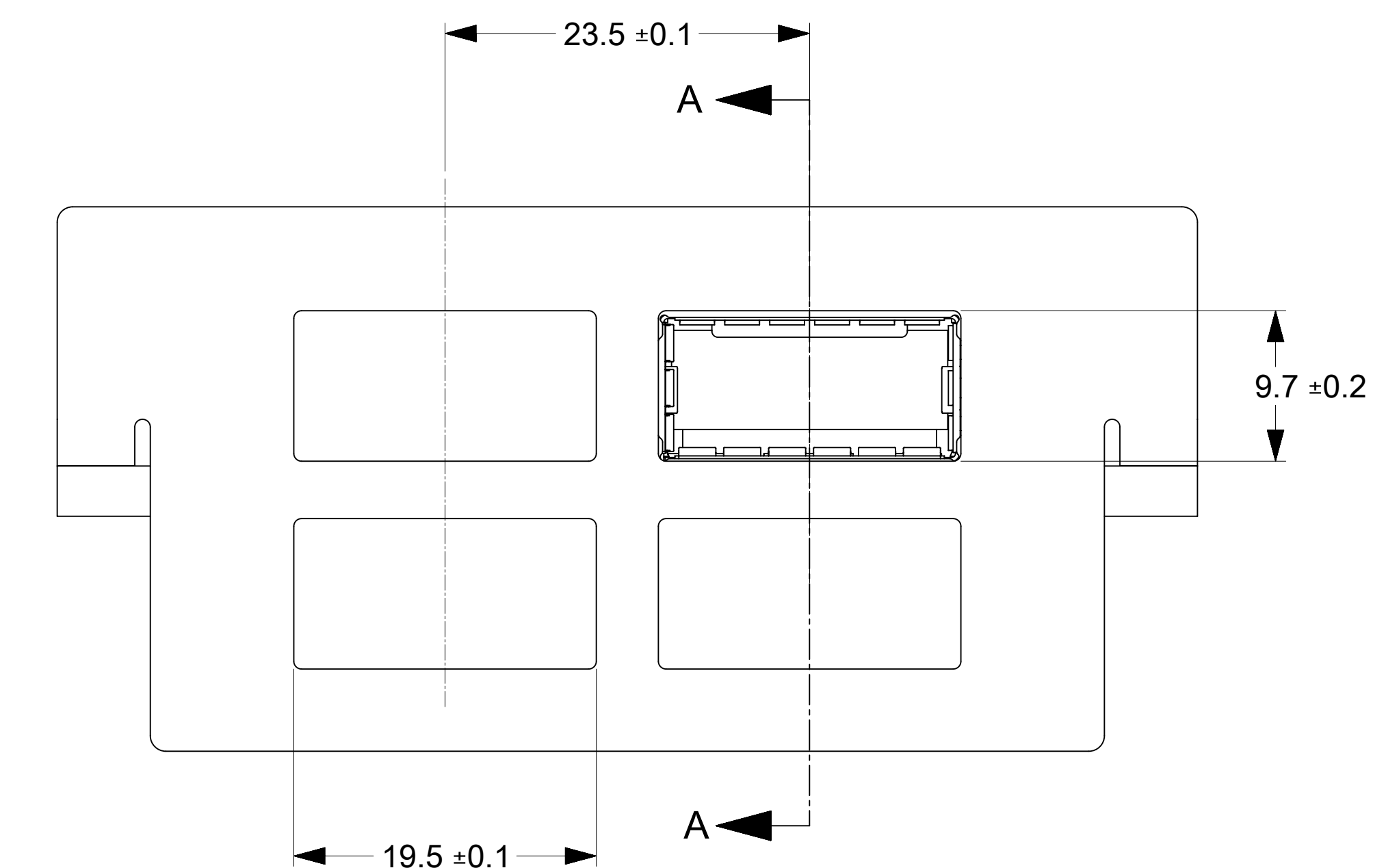


CROSSED-HATCHED AREA DENOTES COMPONENT AND TRACE KEEP-OUT (EXCEPT CHASSIS GROUND)

CROSS-HATCHED AREA TO BE CONDUCTIVE AND CONNECTED TO CHASSIS GROUND

THIS AREA DENOTES COMPONENT KEEP-OUT (TRACES ALLOWED)


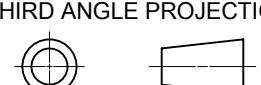
Δ FOR PCI APPLICATIONS RECOMMENDED DIMENSION IS 0.4 ± 0.1

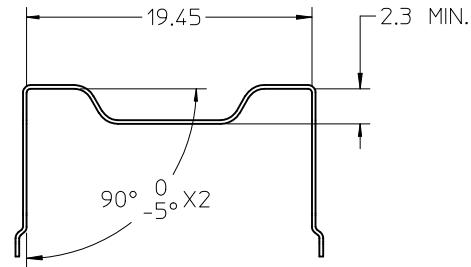
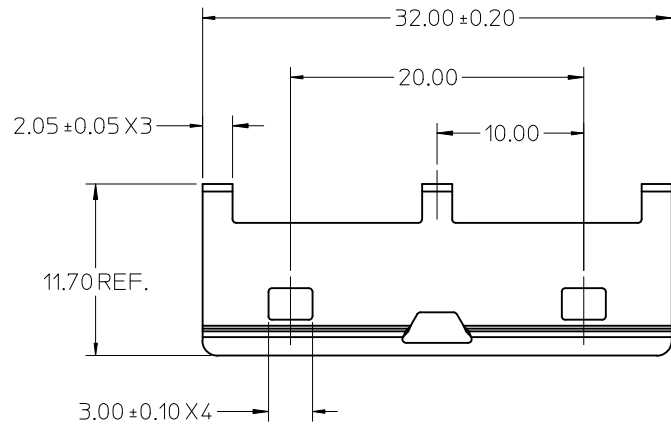
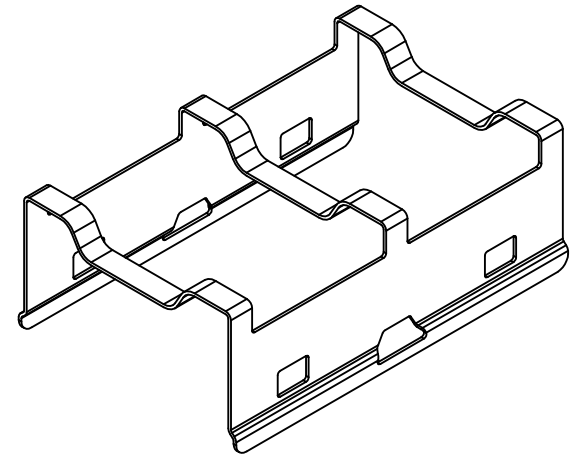
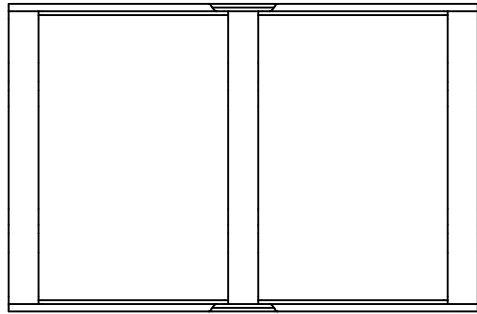


FUNCTIONAL SYMBOLS	THIS DRAWING CONTAINS INFORMATION THAT IS PROPRIETARY TO MOLEX ELECTRONIC TECHNOLOGIES, LLC AND SHOULD NOT BE USED WITHOUT WRITTEN PERMISSION										
	DIMENSION UNITS		SCALE		CURRENT REV DESC:						
	mm		3:1		EC NO: 728791 DRWN: DKUMARG 2022/11/16 CHK'D: SMALLESHAPPA 2022/11/16 APPR: SCHIEN 2022/11/17						
	GENERAL TOLERANCES (UNLESS SPECIFIED)										
DIVISIONAL SYMBOLS		MM		INCH		INITIAL REVISION:					
4 PLACES ±		±		±		DRWN: CHIRSCHY 2008/09/25					
3 PLACES ±		±		±		APPR: RMAHMOOD 2008/09/26					
2 PLACES ±		0.1		±		DOCUMENT NUMBER					
1 PLACE ±		0.25		±		SD-74736-0448					
0 PLACES ±		±		±		DOC TYPE		DOC PART		REVISION	
ANGULAR TOL ±		1.0°		±		PSD		001		F3	
DRAFT WHERE APPLICABLE MUST REMAIN WITHIN DIMENSIONS				THIRD ANGLE PROJECTION		DRAWING		SERIES		SHEET NUMBER	
						D-SIZE		74736		2 OF 3	
						MATERIAL NUMBER		CUSTOMER		SEE P/N TABLE GENERAL MARKET	

DOCUMENT STATUS	P1	RELEASE DATE	2022/11/17	01:55:17
-----------------	----	--------------	------------	----------

DATE	REV	DESCRIPTION
2008/09/19	A	INITIAL RELEASE
2008/12/15	B	1. ADDED TEXT (DARK COLORED) TO COMPLIANT EMI GASKET NOTE
2010/03/01	C	1. ADDED NOTE TO PAGE 2 - THIS AREA DENOTES COMPONENT KEEP-OUT (TRACES ALLOWED) TO VIEW. 2. REMOVED NOTE 2 FROM PAGE 2.
2010/11/02	D	1. 13.53 REF. DIMENSION WAS 12.95 REF. 2. ADD 1 PLACE TOLERANCE OF ±0.25 TO TITLE BLOCK
2013/04/23	E	1. ADDED 747360453.
2019/02/04	F	1. OBSOLETED PART NUMBER 747360448.
2019/12/11	F1	1. OBSOLETED P/N 0747360447 AND 747360453
2021/01/07	F2	SHEET 1: E17: REMOVED THE VIEW OF 747360453. J09 & H05: ADDED A NOTE FOR SPONGE(GRAY COLORED). SHEET 2: G03: ADDED A NOTE FOR SPONGE(GRAY COLORED).
2022/11/16	F3	SHEET 01 : K12 : CORRECTED TYPO OF DIMENSION FROM 12.95 REF TO 13.53 REF FOR THE FG P/N 747360449 AND 747360450.

FUNCTIONAL SYMBOLS FA = 0 FC = 0 FP = 0	THIS DRAWING CONTAINS INFORMATION THAT IS PROPRIETARY TO MOLEX ELECTRONIC TECHNOLOGIES, LLC AND SHOULD NOT BE USED WITHOUT WRITTEN PERMISSION		CURRENT REV DESC:		
	DIMENSION UNITS mm	SCALE 1:1	GENERAL TOLERANCES (UNLESS SPECIFIED)		
DIVISIONAL SYMBOLS	4 PLACES ±	MM	INCH	EC NO: 728791	PRODUCT CUSTOMER DRAWING DOCUMENT NUMBER: SD-74736-0448 DOC TYPE: PSD DOC PART: 001 REVISION: F3
	3 PLACES ±			DRWN: DKUMARG 2022/11/16	
	2 PLACES ± 0.1 ±			CHK'D: SMALLESHAPPA 2022/11/16	
	1 PLACE ± 0.25 ±			APPR: SCHIEN 2022/11/17	
	0 PLACES ±			INITIAL REVISION: DRWN: CHIRSCHY 2008/09/25 APPR: RMAHMOOD 2008/09/26	
	ANGULAR TOL ± 1.0 °	DRAFT WHERE APPLICABLE MUST REMAIN WITHIN DIMENSIONS		 D-SIZE	SERIES: 74736 MATERIAL NUMBER: SEE P/N TABLE CUSTOMER: GENERAL MARKET SHEET NUMBER: 3 OF 3



MATERIAL: 301 STAINLESS STEEL
 TEMPER: FULL HARD
 ALL FEATURES ARE SYMMETRIC TO CENTERLINES.

EC NO: USY2011-0296 DRWN: CHIRSHY 2010/10/13 CHKD: MAJOHNST 2010/10/13 APPR: RMAHMOOD 2010/11/09	QUALITY SYMBOLS	GENERAL TOLERANCES (UNLESS SPECIFIED)		SCALE 3:1	DESIGN UNITS METRIC	THIRD ANGLE PROJECTION	REVISE ON CAD ONLY	
	-0 0		mm	INCH	DIMENSION STYLE MM ONLY		TITLE XFP CAGE, HEAT SINK CLIP	
		4 PLACES	± ---	± ---	DRAWN BY KLLOYD	DATE 2004/06/14	MOLEX INCORPORATED MATERIAL NO. 747360230 DOCUMENT NO. SD-74736-230 SHEET NO. 1 OF 1	
		3 PLACES	± ---	± ---	CHECKED BY BRUSSELL	DATE 2004/08/05		
2 PLACES	± 0.13	± ---	APPROVED BY RMAHMOOD		DATE 2010/11/09			
		1 PLACE	± 0.25	± ---	THIS DRAWING CONTAINS INFORMATION THAT IS PROPRIETARY TO MOLEX INCORPORATED AND SHOULD NOT BE USED WITHOUT WRITTEN PERMISSION			
		ANGULAR ± 2 °						
		DRAFT WHERE APPLICABLE MUST REMAIN WITHIN DIMENSIONS						